

PLEASE CHECK WWW.MOLEX.COM FOR LATEST PART INFORMATION

Part Number: [0901190120](#)
Status: **Active**
Overview: [cgrid_iii](#)
Description: C-Grid III™ Crimp Terminal, 26-28 AWG, Reel, Tin (Sn)

Documents:

[3D Model](#) [RoHS Certificate of Compliance \(PDF\)](#)
[Drawing \(PDF\)](#)

General

Product Family	Crimp Terminals
Series	90119
Comments	Left-hand feed
Crimp Quality Equipment	Yes
Overview	cgrid_iii
Product Name	C-Grid III™

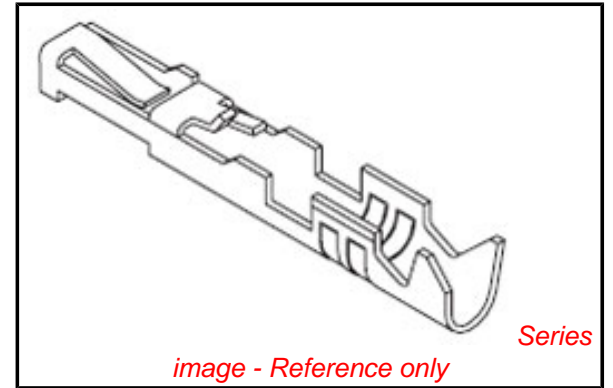
Physical

Gender	Female
Material - Metal	Phosphor Bronze
Material - Plating Mating	Tin
Material - Plating Termination	Tin
Packaging Type	Reel
Plating min: Mating (µin)	40
Plating min: Mating (µm)	1.00
Plating min: Termination (µin)	40
Plating min: Termination (µm)	1.00
Termination Interface: Style	Crimp or Compression
Wire Insulation Diameter	0.76-1.22mm (.030-.048")
Wire Size AWG	26, 28
Wire Size mm²	N/A

Material Info

Reference - Drawing Numbers

Sales Drawing [SD-90119](#)



EU RoHS

ELV and RoHS Compliant

REACH SVHC

Contains SVHC: No

Halogen-Free

Status

Halogen-Free

China RoHS



Need more information on product environmental compliance?

Email productcompliance@molex.com
 For a multiple part number RoHS Certificate of Compliance, [click here](#)

Please visit the [Contact Us](#) section for any non-product compliance questions.

Search Parts in this Series

[90119Series](#)

Use With

C-Grid III™ Modular Crimp Housing [90156](#) ,
[90123](#) , [90142](#) , [90143](#) , [90160](#)

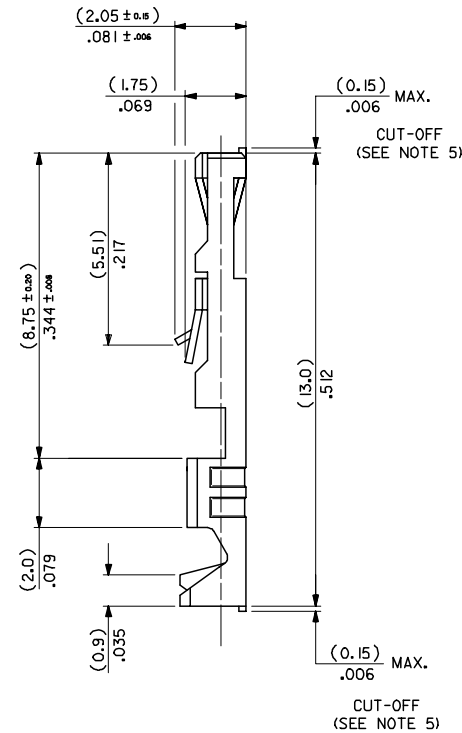
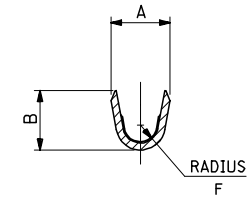
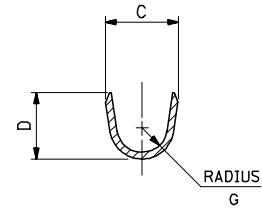
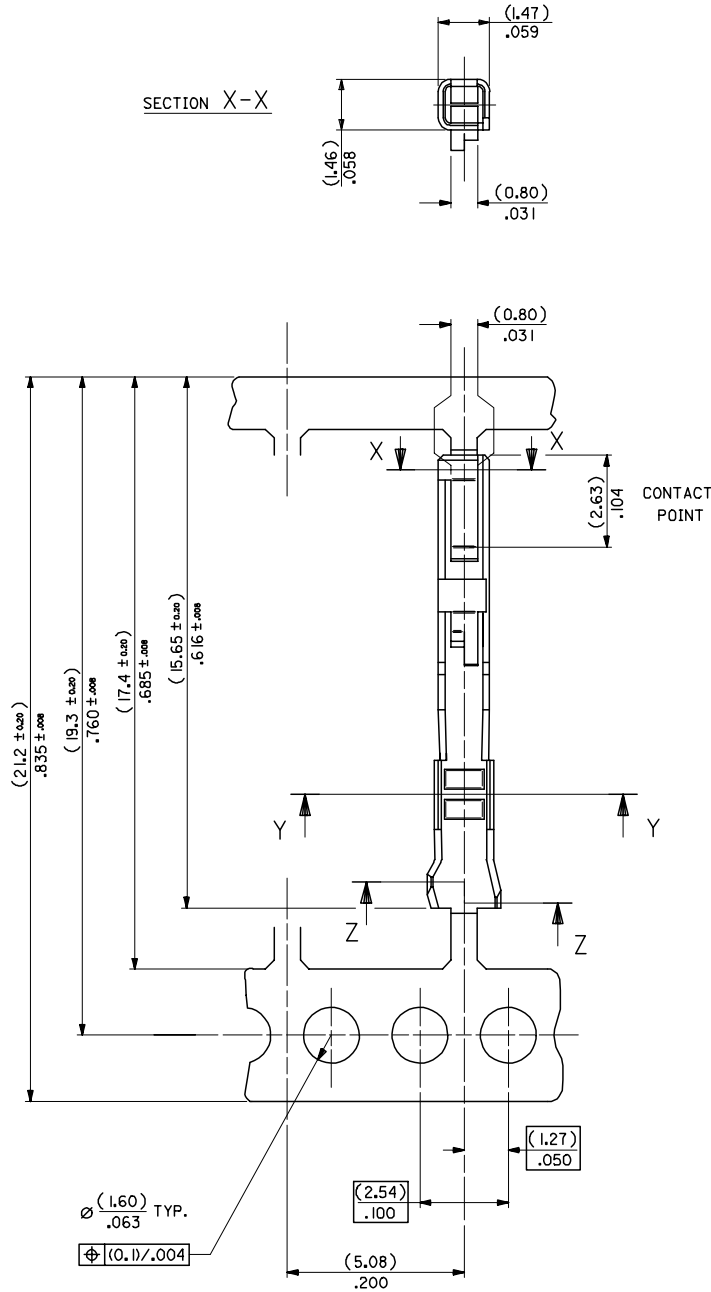
Application Tooling | FAQ

Tooling specifications and manuals are found by selecting the products below. Crimp Height Specifications are then contained in the Application Tooling Specification document.

Global

Description	Product #
C-Grid Insertion Tool	0690080140
Extraction Aid	0690080003
Hand Crimp Tool	0638190200
T2 Terminator Die	0638514000
FineAdjust™ Applicator	0638614000

PLEASE CHECK WWW.MOLEX.COM FOR LATEST PART INFORMATION



NOTES:

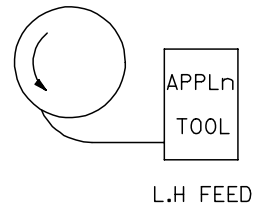
1. MATERIAL -
PHOSPHOR BRONZE CDA 521
THICKNESS: (0.200) ± 0.008
TENSILE STRENGTH: 655-760 N/mm²
PLATING - SEE SHEET 2
2. FOR DIMENSIONS A, B, C, D, F & G
SEE SHEET 2
3. FOR WIRE SIZE & INSULATION DIA
SEE SHEET 2
4. THIS TERMINAL TO MATE WITH
(0.635) ± 0.025 SQUARE PIN
5. MAX BURR AFTER CUT-OFF
(0.025) ± 0.001

REMOVED LEAD REF. EC NO. E2006-0155 DRAWN: JDENNEHY 2005/08/29 CHKD: DMORIARTY 2005/08/29 APPR: JDENNEHY 2005/09/05	QUALITY SYMBOLS ▽=0 ▽=0	GENERAL TOLERANCES (UNLESS SPECIFIED)		DIMENSION STYLE MM ONLY		SCALE 10:1	DESIGN UNITS METRIC	THIRD ANGLE PROJECTION	
		mm	INCH	DRAWN BY NPC	DATE 1987/08/27	TITLE C-GRID III FEMALE CRIMP TERMINAL			
REV	DESCRIPTION	4 PLACES ± ---	± ---	CHECKED BY D.MORIARTY	DATE 2005/08/26	MOLEX INCORPORATED			
		3 PLACES ± ---	± 0.004	APPROVED BY JDENNEHY	DATE 2005/08/26				
		2 PLACES ± 0.1	± 0.008	MATERIAL NO. SD-90119		DOCUMENT NO. SD-90119		SHEET NO. 1 OF 2	
		1 PLACE ± 0.2	± ---	DRAFT WHERE APPLICABLE MUST REMAIN WITHIN DIMENSIONS					
		ANGULAR ± 5 °		SEE CHART					
		THIS DRAWING CONTAINS INFORMATION THAT IS PROPRIETARY TO MOLEX INCORPORATED AND SHOULD NOT BE USED WITHOUT WRITTEN PERMISSION							

10 9 8 7 6 5 4 3 2 1

PART No	PLATING	REELING	WIRE SIZE (AWG)	INSULATION RANGE	CRIMP DIMENSIONS					
					WIRE BARREL			INSULATION BARREL		
					A $\pm \frac{(0.15)}{.006}$	B $\pm \frac{(0.15)}{.006}$	F $\pm \frac{(0.15)}{.006}$	C $\pm \frac{(0.15)}{.006}$	D $\pm \frac{(0.15)}{.006}$	G $\pm \frac{(0.15)}{.006}$
90119-0109	A	L.H FEED	22,24	(1.02-1.47)	(1.70)	(1.70)	(0.51)	(2.10)	(1.90)	(0.70)
-0110	E			.040-.058	.067	.067	0.20	.083	.075	0.27
-0111	F			26,28	(0.76-1.22)	(1.37)	(1.37)	(0.28)	(2.00)	(1.70)
-0120	A		.030-.048		.054	.054	0.11	.079	.067	0.24
-0121	E		22,24		(1.02-1.47)	(1.70)	(1.70)	(0.51)	(2.10)	(1.90)
-0122	F			.040-.058	.067	.067	0.20	.083	.075	0.27
-2109	A	LOOSE PIECE PARTS		22,24	(1.02-1.47)	(1.70)	(1.70)	(0.51)	(2.10)	(1.90)
-2110	E		.040-.058		.067	.067	0.20	.083	.075	0.27
-2111	F		26,28		(0.76-1.22)	(1.37)	(1.37)	(0.28)	(2.00)	(1.70)
-2120	A			.030-.048	.054	.054	0.11	.079	.067	0.24
-2121	E			90119-2122	(1.02-1.47)	(1.70)	(1.70)	(0.51)	(2.10)	(1.90)
-2122	F		.040-.058		.067	.067	0.20	.083	.075	0.27

TYPE	PLATING
A	PRE-PLATED HOT DIP TIN (1.0 to 2.5 um)/.00004 TO .0001
E	(1.27 TO 1.78um)/.00005 TO .00007 NICKEL OVERALL. (0.38 TO 0.64um)/.000015 TO .000025 GOLD ON CONTACT AREA. (3.0 TO 5.0 um)/.00012 TO .0002 TIN ON TERMINATION AREA.
F	(1.27 TO 1.78um)/.00005 TO .00007 NICKEL OVERALL. (0.76 TO 01.0 um)/.00003 TO .00004 GOLD ON CONTACT AREA. (3.0 TO 5.0 um)/.00012 TO .0002 TIN ON TERMINATION AREA.



REMOVED LEAD REF. EC NO: E2006-0155 DRWN: DENNEHY 2005/08/29 CHKD:DMORIARTY 2005/08/29 APPR: DENNEHY 2005/09/05	DESCRIPTION REV	QUALITY SYMBOLS	GENERAL TOLERANCES (UNLESS SPECIFIED)	DIMENSION STYLE MM ONLY	SCALE ---	DESIGN UNITS METRIC	THIRD ANGLE PROJECTION																	
		$\nabla=0$ $\triangle=0$	<table border="1"> <tr> <th></th> <th>mm</th> <th>INCH</th> </tr> <tr> <td>4 PLACES</td> <td>\pm---</td> <td>\pm---</td> </tr> <tr> <td>3 PLACES</td> <td>\pm---</td> <td>\pm---</td> </tr> <tr> <td>2 PLACES</td> <td>\pm---</td> <td>\pm---</td> </tr> <tr> <td>1 PLACE</td> <td>\pm---</td> <td>\pm---</td> </tr> <tr> <td>ANGULAR</td> <td>\pm---</td> <td>\pm---</td> </tr> </table>		mm	INCH	4 PLACES	\pm ---	\pm ---	3 PLACES	\pm ---	\pm ---	2 PLACES	\pm ---	\pm ---	1 PLACE	\pm ---	\pm ---	ANGULAR	\pm ---	\pm ---	DRAWN BY: KS DATE: 1987/09/01 CHECKED BY: DMORIARTY DATE: 2005/08/26 APPROVED BY: JDENNEHY DATE: 2005/08/26	TITLE: C-GRID III FEMALE CRIMP TERMINAL MOLEX INCORPORATED	SHEET NO. 2 OF 2
			mm	INCH																				
		4 PLACES	\pm ---	\pm ---																				
3 PLACES	\pm ---	\pm ---																						
2 PLACES	\pm ---	\pm ---																						
1 PLACE	\pm ---	\pm ---																						
ANGULAR	\pm ---	\pm ---																						
DRAFT WHERE APPLICABLE MUST REMAIN WITHIN DIMENSIONS	SEE CHART	DOCUMENT NO. SD-90119	MATERIAL NO.																					

9 8 7 6 5 4 3 2 1