

PLEASE CHECK WWW.MOLEX.COM FOR LATEST PART INFORMATION

Part Number: [0473080001](#)
Status: **Active**
Description: 2.54mm (.100") Pitch SIM Card Holder, 6 Circuits, SMT, with Solder Tabs, Housing Height 2.00mm (.079"), with 1 Securing Nail, Lead Free

Documents:

[3D Model](#) [Product Specification PS-47308-001 \(PDF\)](#)
[Drawing \(PDF\)](#) [RoHS Certificate of Compliance \(PDF\)](#)

General

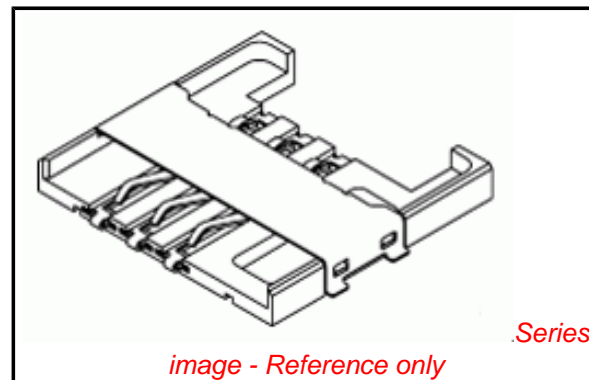
Product Family	Memory Card Sockets
Series	47308
Button Type	N/A
Comments	1 Securing Nail
Component Type	Card Holder (Host)
Product Name	SIM
Type	N/A
Physical	
Card Detection Switch	N/A
Circuits (Loaded)	6
Circuits (maximum)	6
Color - Resin	Black
Durability (mating cycles max)	5,000
Ejector Button Side	No Ejector Button Present
Entry Angle	Vertical (Top Entry)
Keying to Mating Part	Yes
Material - Metal	Phosphor Bronze
Material - Plating Mating	Gold
Material - Plating Termination	Gold
Material - Resin	High Temperature Thermoplastic
PCB Locator	No
PCB Mounting Side	Normal
PCB Retention	Yes
Packaging Type	Embossed Tape on Reel
Pitch - Mating Interface (in)	0.100 In
Pitch - Mating Interface (mm)	2.54 mm
Pitch - Term. Interface (in)	0.100 In
Pitch - Term. Interface (mm)	2.54 mm
Plating min: Mating (µin)	20
Plating min: Mating (µm)	0.50
Plating min: Termination (µin)	2
Plating min: Termination (µm)	0.05
Ports	1
Temperature Range - Operating	-40°C to +85°C
Termination Interface: Style	Surface Mount

Electrical

Current - Maximum per Contact	0.01A
Shielded	No
Voltage - Maximum	5V

Solder Process Data

Duration at Max. Process Temperature (seconds)	3
Lead-free Process Capability	Reflow Capable (SMT only)
Max. Cycles at Max. Process Temperature	2



EU RoHS
ELV and RoHS
Compliant
REACH SVHC
 Not Reviewed
Halogen-Free
Status
Halogen-Free

China RoHS



Need more information on product environmental compliance?

Email productcompliance@molex.com
 For a multiple part number RoHS Certificate of Compliance, [click here](#)

Please visit the [Contact Us](#) section for any non-product compliance questions.

Search Parts in this Series
[47308Series](#)

Mates With
 Standard SIM Card

Process Temperature max. C 250

Material Info

Reference - Drawing Numbers

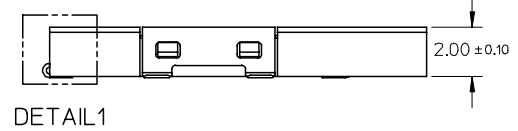
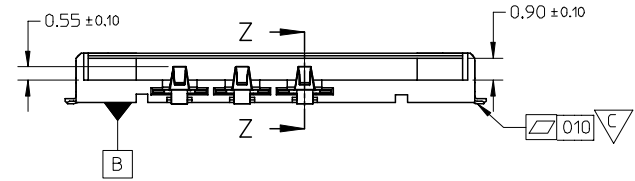
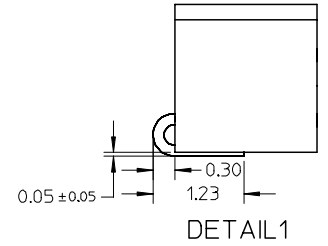
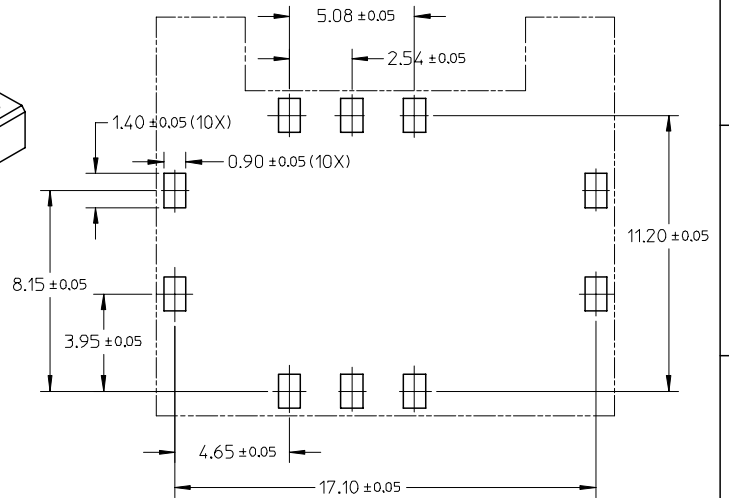
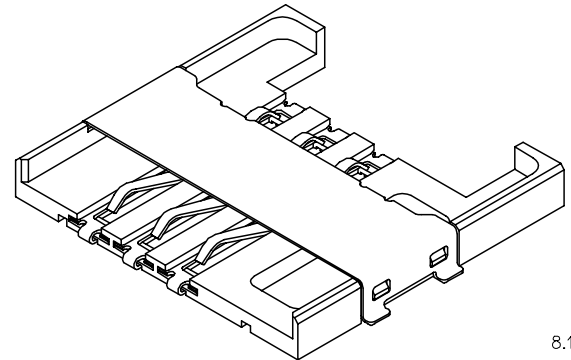
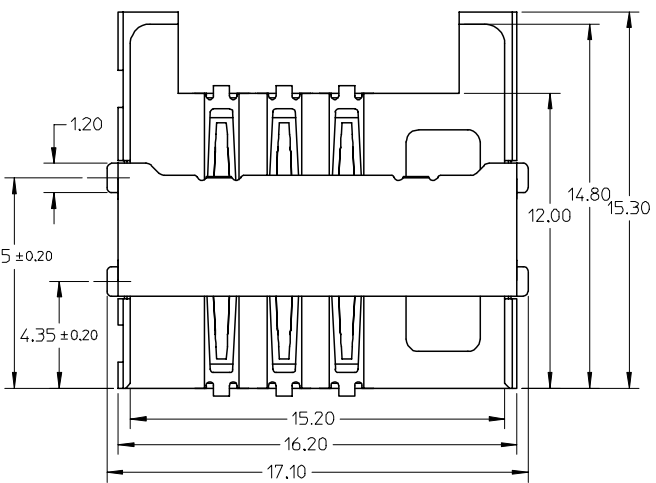
Product Specification PS-47308-001
Sales Drawing SD-47308-001

This document was generated on 03/31/2010

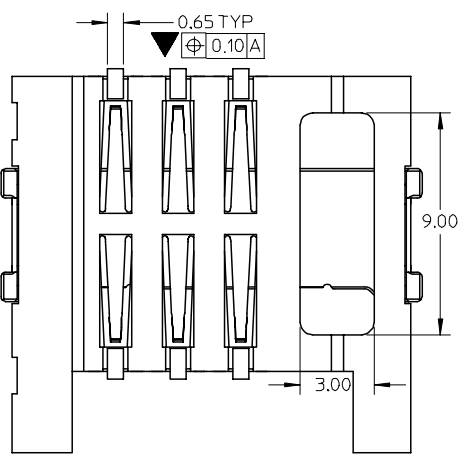
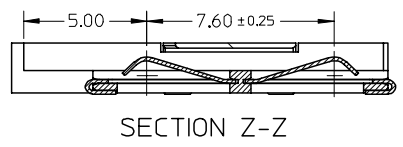
PLEASE CHECK WWW.MOLEX.COM FOR LATEST PART INFORMATION

10 9 8 7 6 5 4 3 2 1

F
E
D
C
B
A



NOTE:
 1.MATERIAL:
 HOUSING: LCP, GLASS-FILLED, UL 94V-0, COLOR ,BLACK.
 TERMINAL:PHOSPHOR BRONZE,THICKNESS:0.12MM.
 SHELL: STAINLESS STEEL,THICKNESS:0.2MM.
 2.FINISH:
 2.0 MICRON NI OVER ALL.
 0.5 MICRON MIN GOLD FOR CONTACT AREA.
 0.05 GOLD MICRON MIN FOR SOLDER TAIL.
 3.PRODUCT SPECIFICATION: PS-47308-001.



UPDATE DRAWING EC NO: DRWN:CYZHU CHKD:XIXU APPR:YJWU	REV DESCRIPTION	2006/03/14	2006/03/31	2006/03/31	QUALITY SYMBOLS ▽=1 C=1	GENERAL TOLERANCES (UNLESS SPECIFIED)		DIMENSION STYLE MM ONLY		SCALE 5:1	DESIGN UNITS METRIC	THIRD ANGLE PROJECTION	
		4 PLACES	± ---	± ---		mm	INCH	DRAWN BY CYZHU	DATE 2005/11/24	TITLE ASSEMBLY SIM CARD CONNECTOR 2.0MM HEIGHT			
		3 PLACES	± ---	± ---		± 0.15	± ---	CHECKED BY YJWU	DATE 2005/11/24	MOLEX INCORPORATED			
		2 PLACES	± 0.15	± ---		± ---	± ---	APPROVED BY GCHEN	DATE 2005/11/24	MATERIAL NO. 473080001	DOCUMENT NO. SD-47308-001	SHEET NO. 1 OF 1	
DRAFT WHERE APPLICABLE MUST REMAIN WITHIN DIMENSIONS						ANGULAR ±1/2°		SIZE A3		THIS DRAWING CONTAINS INFORMATION THAT IS PROPRIETARY TO MOLEX INCORPORATED AND SHOULD NOT BE USED WITHOUT WRITTEN PERMISSION			

9 8 7 6 5 4 3 2 1