

PLEASE CHECK WWW.MOLEX.COM FOR LATEST PART INFORMATION

Part Number: [0395333004](#)
Status: **Active**
Description: 5.08mm (.200") Pitch Eurostyle™ Vertical Plug, Front Wire Entry, 4 Circuits

Documents:

[Drawing \(PDF\)](#) [RoHS Certificate of Compliance \(PDF\)](#)
[Product Specification PS-39500-001 \(PDF\)](#)

General

| | |
|-----------------------------|---------------------------|
| Product Family | Terminal Blocks |
| Series | 39533 |
| Application | Wire-to-Board |
| Comments | Front Wire Entry |
| Component Type | Plug |
| Product Literature Order No | USA-355 |
| Product Name | ESE, Eurostyle™ Pluggable |
| Type | Euro Block |

Physical

| | |
|-------------------------------|--------------------------------|
| Circuits (Loaded) | 4 |
| Entry Angle | Horizontal |
| Lock to Mating Part | Yes |
| Number of Rows | 1 |
| Orientation | Vertical |
| PC Tail Length (in) | 0.200 In |
| PC Tail Length (mm) | 5.08 mm |
| Panel Mount | No |
| Pitch - Mating Interface (in) | 0.200 In |
| Pitch - Mating Interface (mm) | 5.08 mm |
| Polarized to Mating Part | Yes |
| Stackable | No |
| Temperature Range - Operating | -40°C to +105°C |
| Wire Size AWG | 12, 14, 16, 18, 20, 22, 24, 26 |
| Wire Size mm² | 0.13 - 3.31 |

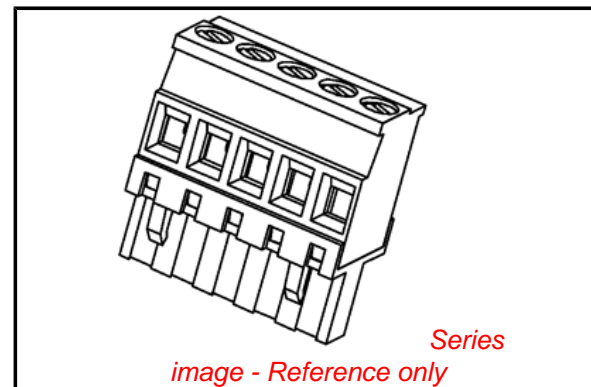
Electrical

| | |
|-------------------------------|------|
| Current - Maximum per Contact | 15A |
| Voltage - Maximum | 300V |

Material Info

Reference - Drawing Numbers

| | |
|-----------------------|--------------|
| Product Specification | PS-39500-001 |
| Sales Drawing | SD-39533-001 |



EU RoHS

**ELV and RoHS
Compliant**
REACH SVHC
 Not Reviewed
**Halogen-Free
Status**
 Not Reviewed

China RoHS



**Need more information on product
environmental compliance?**

Email productcompliance@molex.com
 For a multiple part number RoHS Certificate of
 Compliance, [click here](#)

Please visit the [Contact Us](#) section for any
 non-product compliance questions.

Search Parts in this Series

[39533Series](#)

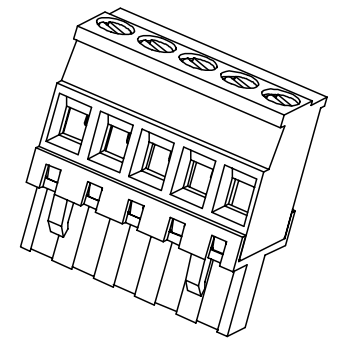
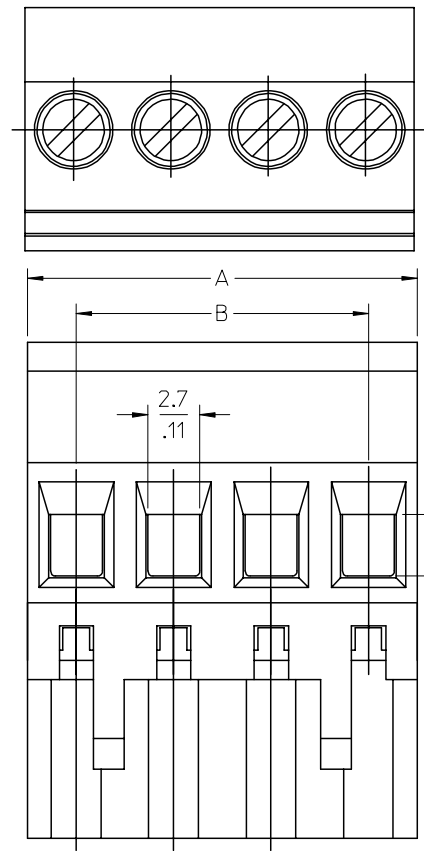
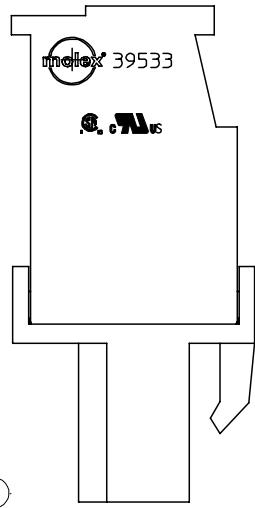
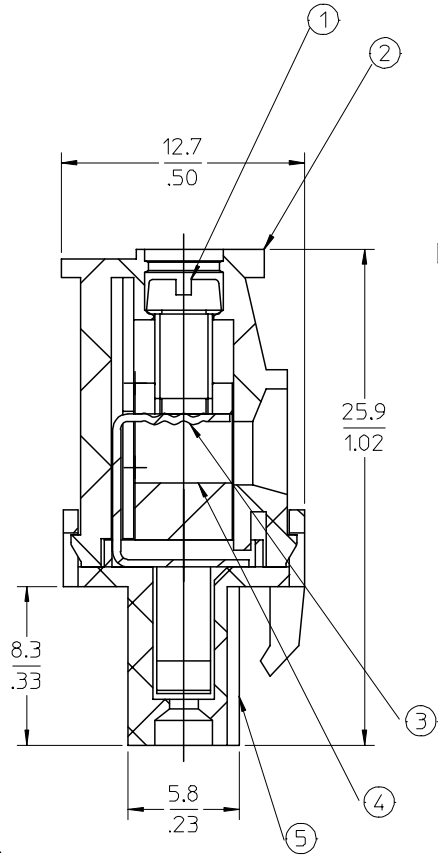
Mates With

[39531](#) Vertical PCB Header, [39532](#)
 Horizontal PCB Header, Most 5.08mm
 (.200") Pitch Industry Standard PCB
 Headers, [39538](#) Dual Level Header, Open
 Ends

10 9 8 7 6 5 4 3 2 1

F
E
D
C
B
A

F
E
D
C
B
A



SPECIFICATIONS:

1. Material:
 - (1). Screw: Steel
 - (2). Body: PA66
 - (3). Terminal: Phosphor Bronze
 - (4). Cage: Brass
 - (5). Cover: PA66
2. Wire range: 12 - 26 AWG
3. Electrical rating: 300V, 15A.
4. Wire strip length: 5.0mm.
5. Operating temperature: -40C to +105C.
6. Max torque: 5 In Lbs.
7. Insulation resistance: DC 500V, 500M.
8. Dielectric withstand: AC 2500V for 1 minute.
9. Breakdown voltage: 4000V.
10. Contact resistance: <10 mW.
11. A = (N x P)
12. B = (N - 1) x P
13. P (PITCH) = 5.08mm (.200").
14. N = Number of positions available 2 through 24.

ENTER DESCRIPTION
 EC NO: NEO2006-0310
 DRWNL: LROTHAUS 2006/01/09
 CHKD: C YORK 2006/01/09
 APPR: J PAMLIK 2006/01/10

QUALITY SYMBOLS

| GENERAL TOLERANCES (UNLESS SPECIFIED) | |
|---------------------------------------|---------------|
| | MM/IN |
| 4 PLACES | ± --- ±.0015 |
| 3 PLACES | ± 0.038 ±.005 |
| 2 PLACES | ± 0.13 ±.01 |
| 1 PLACE | ± 0.3 ± --- |
| ANGULAR ± 2 ° | |

| DIMENSION STYLE | |
|-----------------|----------|
| MM/IN | |
| DRAWN BY | DATE |
| LROTHAUS | 12/6/05 |
| CHECKED BY | DATE |
| C. YORK | 01/06/06 |
| APPROVED BY | DATE |

| SCALE | DESIGN UNITS | THIRD ANGLE PROJECTION |
|---|--------------|------------------------|
| 4:1 | INCH | |
| TITLE | | |
| 5.08MM, EURO PLUG, VERTICAL, REAR WIRE ENTRY | | |
| MATERIAL NO. DOCUMENT NO. SHEET NO. | | |
| SEE CHART | | SD-39533-001 |
| THIS DRAWING CONTAINS INFORMATION THAT IS PROPRIETARY TO MOLEX INCORPORATED AND SHOULD NOT BE USED WITHOUT WRITTEN PERMISSION | | |

9 8 7 6 5 4 3 2 1

| Description | Circuit size | Material Numbers | | | | | | | | | | | Dimensional Information | | | | |
|--|--------------|------------------|-----------|-----------|------------------|-----------|-----------|------------------|-----------|-----------|------------------|-----------|-------------------------|--------|-------|--------|-------|
| | | Black | | | | | | Green | | | | | Dim. A | | Dim B | | |
| | | 100% Tin | | | 30 u" Gold | | | 100% Tin | | | 30 u" Gold | | | | | | |
| | | Printing Options | | | Printing Options | | | Printing Options | | | Printing Options | | | | | | |
| None | 10AV | 11AV | None | 10AV | 11AV | None | 10AV | 11AV | None | 10AV | 11AV | mm | inch | mm | inch | | |
| 5.08mm, Euro Plug, Vertical, Rear Wire Entry | 2 | 395333002 | 395333302 | 395333402 | 395333502 | 395333802 | 395333902 | 395338002 | 395338302 | 395338402 | 395338502 | 395338802 | 395338902 | 10.16 | 0.400 | 5.08 | 0.200 |
| 5.08mm, Euro Plug, Vertical, Rear Wire Entry | 3 | 395333003 | 395333303 | 395333403 | 395333503 | 395333803 | 395333903 | 395338003 | 395338303 | 395338403 | 395338503 | 395338803 | 395338903 | 15.24 | 0.600 | 10.16 | 0.400 |
| 5.08mm, Euro Plug, Vertical, Rear Wire Entry | 4 | 395333004 | 395333304 | 395333404 | 395333504 | 395333804 | 395333904 | 395338004 | 395338304 | 395338404 | 395338504 | 395338804 | 395338904 | 20.32 | 0.800 | 15.24 | 0.600 |
| 5.08mm, Euro Plug, Vertical, Rear Wire Entry | 5 | 395333005 | 395333305 | 395333405 | 395333505 | 395333805 | 395333905 | 395338005 | 395338305 | 395338405 | 395338505 | 395338805 | 395338905 | 25.40 | 1.000 | 20.32 | 0.800 |
| 5.08mm, Euro Plug, Vertical, Rear Wire Entry | 6 | 395333006 | 395333306 | 395333406 | 395333506 | 395333806 | 395333906 | 395338006 | 395338306 | 395338406 | 395338506 | 395338806 | 395338906 | 30.48 | 1.200 | 25.40 | 1.000 |
| 5.08mm, Euro Plug, Vertical, Rear Wire Entry | 7 | 395333007 | 395333307 | 395333407 | 395333507 | 395333807 | 395333907 | 395338007 | 395338307 | 395338407 | 395338507 | 395338807 | 395338907 | 35.56 | 1.400 | 30.48 | 1.200 |
| 5.08mm, Euro Plug, Vertical, Rear Wire Entry | 8 | 395333008 | 395333308 | 395333408 | 395333508 | 395333808 | 395333908 | 395338008 | 395338308 | 395338408 | 395338508 | 395338808 | 395338908 | 40.64 | 1.600 | 35.56 | 1.400 |
| 5.08mm, Euro Plug, Vertical, Rear Wire Entry | 9 | 395333009 | 395333309 | 395333409 | 395333509 | 395333809 | 395333909 | 395338009 | 395338309 | 395338409 | 395338509 | 395338809 | 395338909 | 45.72 | 1.800 | 40.64 | 1.600 |
| 5.08mm, Euro Plug, Vertical, Rear Wire Entry | 10 | 395333010 | 395333310 | 395333410 | 395333510 | 395333810 | 395333910 | 395338010 | 395338310 | 395338410 | 395338510 | 395338810 | 395338910 | 50.80 | 2.000 | 45.72 | 1.800 |
| 5.08mm, Euro Plug, Vertical, Rear Wire Entry | 11 | 395333011 | 395333311 | 395333411 | 395333511 | 395333811 | 395333911 | 395338011 | 395338311 | 395338411 | 395338511 | 395338811 | 395338911 | 55.88 | 2.200 | 50.80 | 2.000 |
| 5.08mm, Euro Plug, Vertical, Rear Wire Entry | 12 | 395333012 | 395333312 | 395333412 | 395333512 | 395333812 | 395333912 | 395338012 | 395338312 | 395338412 | 395338512 | 395338812 | 395338912 | 60.96 | 2.400 | 55.88 | 2.200 |
| 5.08mm, Euro Plug, Vertical, Rear Wire Entry | 13 | 395333013 | 395333313 | 395333413 | 395333513 | 395333813 | 395333913 | 395338013 | 395338313 | 395338413 | 395338513 | 395338813 | 395338913 | 66.04 | 2.600 | 60.96 | 2.400 |
| 5.08mm, Euro Plug, Vertical, Rear Wire Entry | 14 | 395333014 | 395333314 | 395333414 | 395333514 | 395333814 | 395333914 | 395338014 | 395338314 | 395338414 | 395338514 | 395338814 | 395338914 | 71.12 | 2.800 | 66.04 | 2.600 |
| 5.08mm, Euro Plug, Vertical, Rear Wire Entry | 15 | 395333015 | 395333315 | 395333415 | 395333515 | 395333815 | 395333915 | 395338015 | 395338315 | 395338415 | 395338515 | 395338815 | 395338915 | 76.20 | 3.000 | 71.12 | 2.800 |
| 5.08mm, Euro Plug, Vertical, Rear Wire Entry | 16 | 395333016 | 395333316 | 395333416 | 395333516 | 395333816 | 395333916 | 395338016 | 395338316 | 395338416 | 395338516 | 395338816 | 395338916 | 81.28 | 3.200 | 76.20 | 3.000 |
| 5.08mm, Euro Plug, Vertical, Rear Wire Entry | 17 | 395333017 | 395333317 | 395333417 | 395333517 | 395333817 | 395333917 | 395338017 | 395338317 | 395338417 | 395338517 | 395338817 | 395338917 | 86.36 | 3.400 | 81.28 | 3.200 |
| 5.08mm, Euro Plug, Vertical, Rear Wire Entry | 18 | 395333018 | 395333318 | 395333418 | 395333518 | 395333818 | 395333918 | 395338018 | 395338318 | 395338418 | 395338518 | 395338818 | 395338918 | 91.44 | 3.600 | 86.36 | 3.400 |
| 5.08mm, Euro Plug, Vertical, Rear Wire Entry | 19 | 395333019 | 395333319 | 395333419 | 395333519 | 395333819 | 395333919 | 395338019 | 395338319 | 395338419 | 395338519 | 395338819 | 395338919 | 96.52 | 3.800 | 91.44 | 3.600 |
| 5.08mm, Euro Plug, Vertical, Rear Wire Entry | 20 | 395333020 | 395333320 | 395333420 | 395333520 | 395333820 | 395333920 | 395338020 | 395338320 | 395338420 | 395338520 | 395338820 | 395338920 | 101.60 | 4.000 | 96.52 | 3.800 |
| 5.08mm, Euro Plug, Vertical, Rear Wire Entry | 21 | 395333021 | 395333321 | 395333421 | 395333521 | 395333821 | 395333921 | 395338021 | 395338321 | 395338421 | 395338521 | 395338821 | 395338921 | 106.68 | 4.200 | 101.60 | 4.000 |
| 5.08mm, Euro Plug, Vertical, Rear Wire Entry | 22 | 395333022 | 395333322 | 395333422 | 395333522 | 395333822 | 395333922 | 395338022 | 395338322 | 395338422 | 395338522 | 395338822 | 395338922 | 111.76 | 4.400 | 106.68 | 4.200 |
| 5.08mm, Euro Plug, Vertical, Rear Wire Entry | 23 | 395333023 | 395333323 | 395333423 | 395333523 | 395333823 | 395333923 | 395338023 | 395338323 | 395338423 | 395338523 | 395338823 | 395338923 | 116.84 | 4.600 | 111.76 | 4.400 |
| 5.08mm, Euro Plug, Vertical, Rear Wire Entry | 24 | 395333024 | 395333324 | 395333424 | 395333524 | 395333824 | 395333924 | 395338024 | 395338324 | 395338424 | 395338524 | 395338824 | 395338924 | 121.92 | 4.800 | 116.84 | 4.600 |

| | | | | | | | | | |
|---|-------------------------------|---------------------------------------|--|---|--|--------------|--------------|------------------------|--|
| SEE SHEET 1 EC NO: NEC2006-0310 DRWN: LROTHAUS 2006/01/09 CHKD: CYORK 2006/01/09 APPR: J.PAMLICK 2006/01/10 | QUALITY SYMBOLS ▽=0 ▽=0 | GENERAL TOLERANCES (UNLESS SPECIFIED) | | DIMENSION STYLE | | SCALE | DESIGN UNITS | THIRD ANGLE PROJECTION | |
| | | | | MM/IN | | 4:1 | INCH | | |
| | | | | DRAWN BY DATE | | TITLE | | | |
| | | | | CHECKED BY DATE | | MATERIAL NO. | | DOCUMENT NO. | |
| | | APPROVED BY DATE | | SHEET NO. | | | | | |
| | | ANGULAR ± 2 ° | | DRAFT WHERE APPLICABLE MUST REMAIN WITHIN DIMENSIONS | | SD-39533-001 | | 2 OF 2 | |
| | | SIZE B | | THIS DRAWING CONTAINS INFORMATION THAT IS PROPRIETARY TO MOLEX INCORPORATED AND SHOULD NOT BE USED WITHOUT WRITTEN PERMISSION | | | | | |