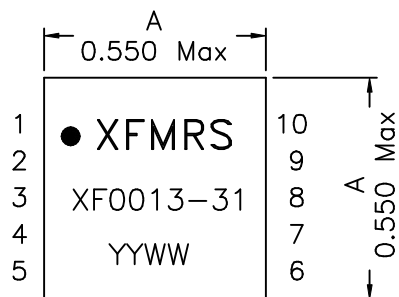
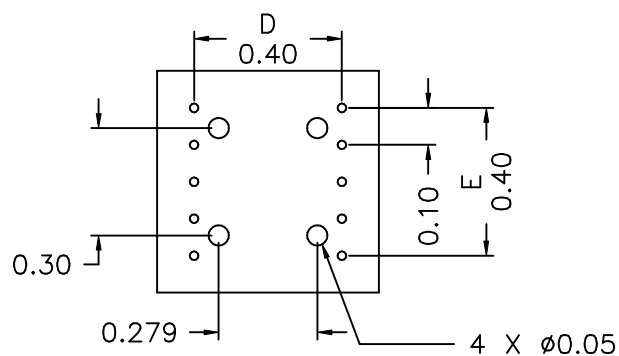
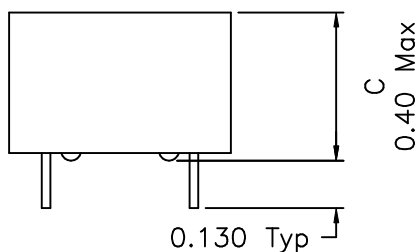


1. Dimensions:



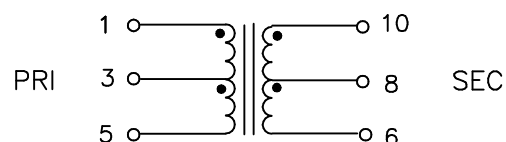
DOT INDICATES PIN1



(BOTTOM VIEW)

Leads are 22 AWG solderable

2. Schematic:



3. Electrical Specifications: @25°C

Isolation: 3000 Vrms (PRI to SEC)

Turns Ratio: 1CT:2CT ±5% (PRI:SEC)

PRI OCL: 1.20mH Minimum @100KHz 50mV

Cw/w: 15pF Maximum @100KHz 50mV (PRI/SEC)

PRI LL: 0.80uH Maximum @100KHz 50mV (SEC Shorted)

PRI DCR: 0.70 Ohms Maximum

SEC DCR: 1.10 Ohms Maximum

OPERATING TEMP. RANGE: -40°C to +85°C

XFMRS Inc.	Title: T1/CEPT/ISDN-PRI TRANSFORMER		
UNLESS OTHERWISE SPECIFIED	P/N: XF0013-31	REV. A	
TOLERANCES: .xxx ±0.010	DWN.	廖玉坤	Feb-22-01
Dimensions in Inch	CHK.	李清儿	Feb-22-01
SCALE 2.5:1 SHT 1 OF 1	APP.	Isaiah M	Feb-22-01

DOC. REV A/1