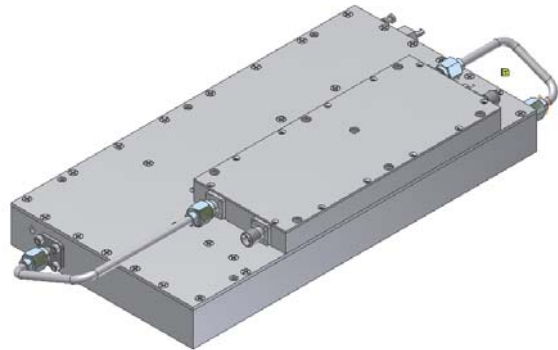


Stealth Microwave's **SMTR2327-44** is a solid state bi-directional amplifier for use in 802.16e TDD products and systems. This compact, high linearity PA can easily be integrated into both BTS or CPE devices, and exhibits excellent uplink and downlink performance. Typical output power for 802.16e is 35-36 dBm meeting EVM and spectral mask requirements.



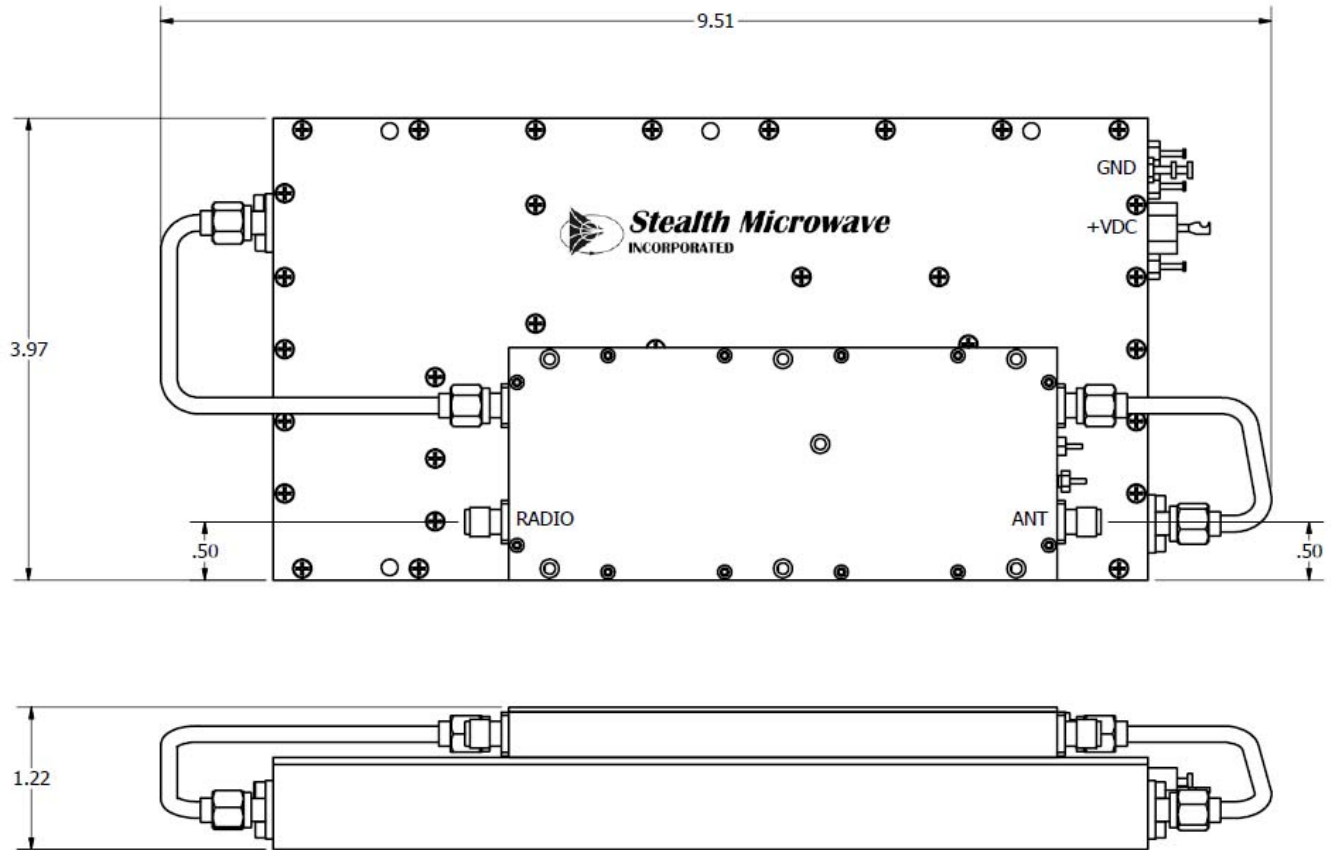
Features

- Auto (RF Tx Detect) or Manual (TTL) Tx/Rx Switching
- Integral receive filter
- Various RF connector and housing options available

Mechanical Dimensions	9.5 x 4.0 x 1.22 inches
RF Connectors	SMA Female
Weight	1 lb. 4 oz.
Operating Temperature (Baseplate)	-10°C to +70°C

Transmit Path				
Parameter	Specification			
	Min	Typ	Max	Unit
Frequency Range	2300	-	2700	MHz
802.16e Power Out	35	36.5		dBm
EVM at 35dBm		-33		dB
Gain		50 ± 1		dB
Gain Flatness		± 0.5		dB
Input Return Loss	-14	-18		dB
DC Input Voltage	10	12	13	V
Current Draw (RMS)		4.5		A
Receive Path				
Gain		20 ± 1		dB
P1dB	5			dBm
Noise Figure		3		dB
Input Return Loss		-14		dB
Current Draw		110		mA

DIMENSIONS IN INCHES



Pin	Description	Values
RADIO	Input Connector (SMA-F)	+ 10 dBm (typical, adjustable per customer requirement)
ANT	Antenna Connector (SMA-F)	+35-37 dBm burst power (802.16e)
+VDC	Supply Voltage	+12V
GND	Ground	--

WiMAX EVM MEASUREMENT - 35 dBm @ 2.3 GHz

IEEE 802.16-2004 OFDM						
Frequency: 2.3 GHz	Signal Level Setting: 0.7 dBm	Ref. Level / Att: 10.7 dBm / 34 dB				
Sweep Mode: Continuous	Trigger Mode: Free Run	Trigger Offset: -10 μs				
Burst Type: OFDM DL Burst	Modulation: 64QAM3/4	No Of Data Symbols: 1/2425				
Result Summary						
No. of Bursts	6					
	Min	Mean	Limit	Max	Limit	Unit
EVM All Carriers	-31.56	-31.11	-31.00*	-30.63	-31.00	dB
EVM Data Carriers	-31.59	-31.13		-30.65		dB
EVM Pilot Carriers	-31.07	-30.62		-30.24		dB
IQ Offset	-38.34	-38.29	-15.00	-38.21	-15.00	dB
Gain Imbalance	0.00	0.00		0.00		dB
Quadrature Error	0.000	0.000		0.000		°
Center Frequency Error	-41.63	-75.93	± 18400	-98.49	± 18400	Hz
Clock Error	0.00	0.00	± 8	0.00	± 8	ppm
Burst Power	36.49	36.49		36.49		dBm
Crest Factor	8.17	8.18		8.18		dB
RSSI	54.21	54.21		54.29		dBm
RSSI Standard Deviation		-2.52				dB
CINR	14.41	14.59		14.62		dB
CINR Standard Deviation		13.34				dB
Running ...						

SPECTRUM
WiMAX
AUTO LUL
RUN SGL
RUN CONT
REFRESH
SCREEN B

GENERAL SETTINGS
DEMOD SETTINGS
DISPLAY GRAPH
PUT ↕
EVM ↕
SPECTRUM ↕
CONSTELL ↕
STATISTICS ↕
FILE MANAGER ↕

WiMAX EVM MEASUREMENT - 35 dBm @ 2.7 GHz

IEEE 802.16-2004 OFDM						
Frequency: 2.7 GHz	Signal Level Setting: -0.6 dBm	Ref. Level / Att: 9.4 dBm / 34 dB				
Sweep Mode: Continuous	Trigger Mode: Free Run	Trigger Offset: -10 µs				
Burst Type: OFDM DL Burst	Modulation: 64QAM3/4	No Of Data Symbols: 1/2425				

GENERAL SETTINGS

DEMOD SETTINGS

DISPLAY GRAPH

FULL BURST

START END

BURST SELECTION

Result Summary						
No. of Bursts	6					
	Min	Mean	Limit	Max	Limit	Unit
EVM All Carriers	-39.34	-38.58	-31.00	-36.69	-31.00	dB
EVM Data Carriers	-39.49	-38.68		-36.72		dB
EVM Pilot Carriers	-37.25	-36.59		-36.02		dB
IQ Offset	-36.84	-36.77	-15.00	-36.72	-15.00	dB
Gain Imbalance	0.00	0.00		0.00		dB
Quadrature Error	-0.000	0.000		0.000		°
Center Frequency Error	-121.48	-147.07	± 21600	-177.93	± 21600	Hz
Clock Error	0.00	0.00	± 8	0.00	± 8	ppm
Burst Power	35.21	35.21		35.21		dBm
Crest Factor	8.18	8.19		8.20		dB
RSSI	53.05	53.12		53.21		dBm
RSSI Standard Deviation		-3.57				dB
CINR	15.39	15.57		15.62		dB
CINR Standard Deviation		21.53				dB

Running ...

SPECTRUM	WiMAX	AUTO LUL	RUN SGL	RUN CONT	REFRESH	SCREEN B
----------	-------	----------	---------	----------	---------	----------

S₂₁ PLOT

