

**PLEASE CHECK WWW.MOLEX.COM FOR LATEST PART INFORMATION**

**Part Number:** [0850133196](#)  
**Status:** **Active**  
**Overview:** [din\\_41612](#)  
**Description:** 2.54mm (.100") Pitch DIN 41612 Header, Through Hole, Vertical, Style R/2 Reverse, 1µm (40µ") Selective Gold (Au), 48 Circuits, Lead free

**Documents:**

[3D Model](#) [Product Specification PS-85013-0001 \(PDF\)](#)  
[Drawing \(PDF\)](#) [RoHS Certificate of Compliance \(PDF\)](#)

**Agency Certification**

CSA LR19980  
 UL E29179

**General**

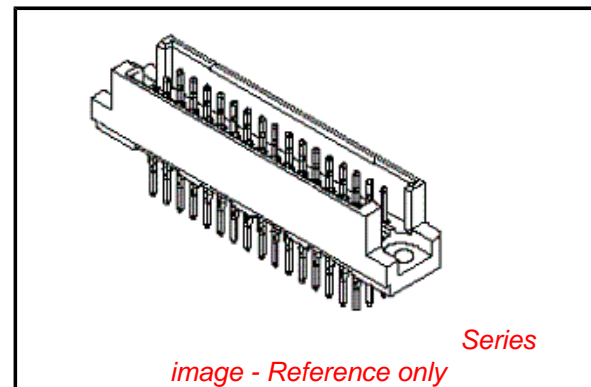
Product Family Backplane Connectors  
 Series [85013](#)  
 Application Daughtercard  
 Comments No Industrial Environment  
 Component Type PCB Header  
 Overview [din\\_41612](#)  
 Product Name IEC 603-2/DIN 41612  
 Style R/2

**Physical**

Circuits (Loaded) 48  
 Circuits (maximum) 48  
 Circuits Detail Rows A, B, & C  
 Durability (mating cycles max) 500  
 First Mate / Last Break No  
 Flammability 94V-0  
 Guide to Mating Part No  
 Keying to Mating Part Yes  
 Number of Columns 16  
 Number of Pairs Open Pin Field  
 Number of Rows 3  
 Orientation Vertical  
 PC Tail Length (in) 0.110 In  
 PC Tail Length (mm) 2.90 mm  
 PCB Locator No  
 PCB Retention Yes  
 Packaging Type Bag  
 Pitch - Mating Interface (in) 0.100 In  
 Pitch - Mating Interface (mm) 2.54 mm  
 Pitch - Term. Interface (in) 0.100 In  
 Pitch - Term. Interface (mm) 2.54 mm  
 Plating min: Mating (µin) 39  
 Plating min: Mating (µm) 1  
 Polarized to PCB No  
 Stackable No  
 Surface Mount Compatible (SMC) No  
 Temperature Range - Operating -55°C to +125°C

**Electrical**

Current - Maximum per Contact 1A  
 Data Rate 622.0 Mbps



**EU RoHS**

**ELV and RoHS  
 Compliant**  
**REACH SVHC  
 Not Reviewed**  
**Halogen-Free  
 Status  
 Not Reviewed**

**China RoHS**



**Need more information on product  
 environmental compliance?**

Email [productcompliance@molex.com](mailto:productcompliance@molex.com)  
 For a multiple part number RoHS Certificate of Compliance, [click here](#)

Please visit the [Contact Us](#) section for any non-product compliance questions.

**Search Parts in this Series**

[85013Series](#)

**Mates With**

[85042](#) DIN 41612 Receptacle . [85052](#) DIN 41612 Header

Real Signals (per 25mm)	30
Shield Type	N/A
Shielded	No
Voltage - Maximum	1000V (RMS)

### **Material Info**

### **Reference - Drawing Numbers**

Product Specification	PS-85013-0001
Sales Drawing	SD-85013-3196, SDA-85013-0002, SDA-85013-3196

This document was generated on 05/17/2010

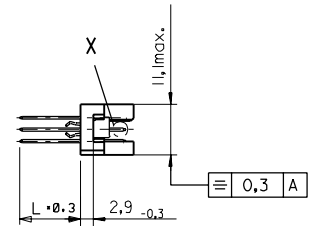
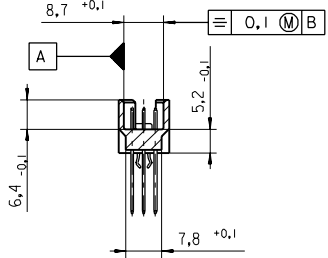
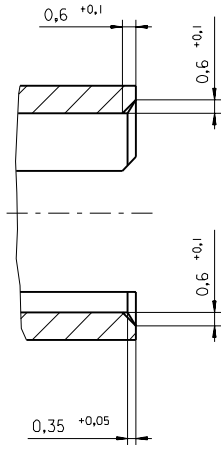
**PLEASE CHECK [WWW.MOLEX.COM](http://WWW.MOLEX.COM) FOR LATEST PART INFORMATION**



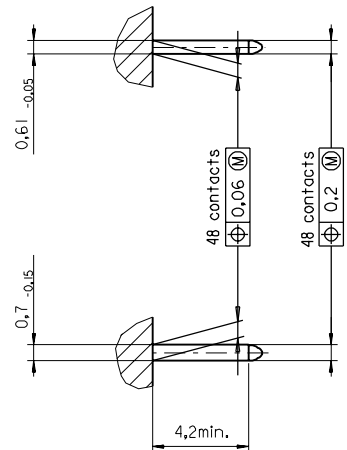


PART NO.  
DWG. NO.

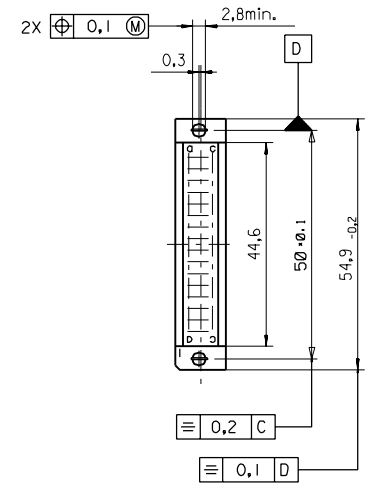
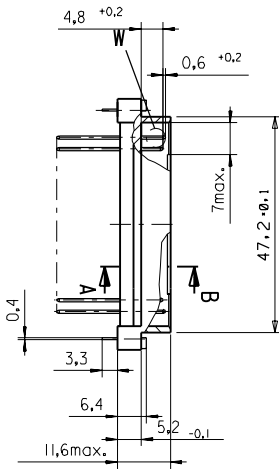
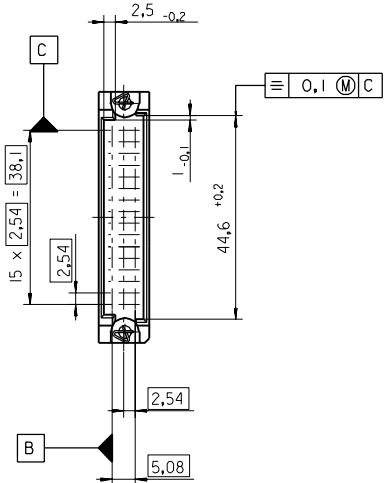
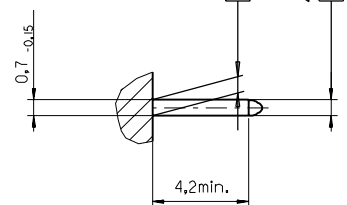
Section A - B  
5:1



View X  
5:1



View W  
5:1



FIRST ANGLE PROJECTION REVISE ONLY ON CAD SYSTEM SH. REV.

BI	first release see ECN No. 1887	LTR	FOR PREVIOUS REVISIONS SEE MRI LIST	DRWG BY <b>Ca</b>	SIGN
	UNLESS OTHERWISE SPECIFIED TOLERANCES: ANGULAR ±2°		CHK'D BY <b>KN</b>		
			3 PLACE ± . ±		
			2 PLACE ± . ±		
			1 PLACE ± . ±		
			DRAFT WHERE APPLICABLE MUST REMAIN WITHIN DIMENSIONS	APP'D BY	SIGN
			DESIGN DIMENSION <input checked="" type="checkbox"/> MM <input type="checkbox"/> IN.	SCALE	
			EQUIVALENT DIMENSION <input type="checkbox"/> MM <input type="checkbox"/> IN.		
			IF TWO DIMENSIONS ARE SHOWN THE UPPER IS THE DESIGN DIMENSION, LOWER IS SECONDARY		

CAD/CAM PROJECT NAME 85013000 821	THIS DRAWING CONTAINS INFORMATION THAT IS PROPRIETARY TO MOLEX INC. & SHOULD NOT BE USED WITHOUT WRITTEN PERMISSION	SH.	REV.
TITLE <b>48 pos. Male connector acc. DIN 41612 style R/2 Dimensions</b>			
MOLEX EUROPE		SHEET NO. 1 OF	DATE 95/06/08
PART NO.	DWG NO. SDA-85013-0002	SIZE	B

VIEW ON MATING SIDE

⊂	A	A	A	A	A	A	A	A	A	A	A	A	A	A	A	A	A	A
⊃	A	A	A	A	A	A	A	A	A	A	A	A	A	A	A	A	A	A
⊄	A	A	A	A	A	A	A	A	A	A	A	A	A	A	A	A	A	A

1 2 3 4 5 6 7 8 9 10 11 12 13 14 15 16 17 18 19 20 21 22 23 24 25 26 27 28 29 30 31 32 33 34 35 36 37 38 39 40 41 42 43 44 45 46 47 48 49 50 51 52 53 54 55 56 57 58 59 60 61 62 63 64 65 66 67 68 69 70 71 72 73 74 75 76 77 78 79 80 81 82 83 84 85 86 87 88 89 90 91 92 93 94 95 96 97 98 99 100

A = 48 STANDARD CONTACTS L=4,5

Marking	Standard
Performance level	G3/0 = Contact area perform. level3 / Termination tin
Flux proof	no
Fixing clip	no
Dimensions	SDA-85013-0002 sht.1
Technical Data	PS-85013-0001

A	G3/0	a1-16	b1-16	c1-16
Contact symbol	Perform. level	Contact position number		

ECN No. MC1998-2626 first release	REVISIONS		FOR PREVIOUS REVISIONS SEE MRI LIST	
	LTR			
UNLESS OTHERWISE SPECIFIED TOLERANCES: ANGULAR ± 2° INCH METRIC		DRWG BY	SIGN	CAD/CAM PROJECT NAME
3 PLACE ± .	±	Ca		s8501331
2 PLACE ± .	±	CHK'D BY	SIGN	s91
1 PLACE ± .	±	KN		
DRAFT WHERE APPLICABLE MUST REMAIN WITHIN DIMENSIONS		APP'D BY	SIGN	TITLE
DESIGN DIMENSION	<input type="checkbox"/> MM <input type="checkbox"/> IN.	JB		48 pos. Male connector acc. DIN 41612 style R/2 contacts arrangement
EQUIVALENT DIMENSION	<input type="checkbox"/> MM <input type="checkbox"/> IN.	SCALE		THIS DRAWING CONTAINS INFORMATION THAT IS PROPRIETARY TO MOLEX INC. & SHOULD NOT BE USED WITHOUT WRITTEN PERMISSION
IF TWO DIMENSIONS ARE SHOWN, THE UPPER IS THE DESIGN DIMENSION, LOWER IS SECONDARY		REVISE ONLY ON CAD SYSTEM		
		SHEET NO. DATE		SH. REV.
		1 OF 1 97/10/24		
		PART NO. DWG NO.		SIZE
		MOLEX EUROPE		SDA-85013-3196
		85013-3196		A