

**PLEASE CHECK WWW.MOLEX.COM FOR LATEST PART INFORMATION**

**Part Number:** [0885235205](#)  
**Status:** **Active**  
**Overview:** [fiber optic product families](#)  
**Description:** SC-to-SC, Multimode, 62.5/125µm, Duplex, 3.00mm (.118"), Standard Fiber Optic Cable Assembly, 6.0m (19.68' )

**Documents:**

[Drawing \(PDF\)](#) [RoHS Certificate of Compliance \(PDF\)](#)

**General**

Product Family	Fiber Optic Assemblies
Series	<a href="#">88523</a>
Connector to Connector	SC-to-SC
Mode	Multimode
Overview	<a href="#">fiber optic product families</a>
Product Name	SC

**Physical**

Cable Length	6.0m (19.68' )
Cable Size	3.00mm (.118")
Fiber (Core/Cladding)	62.5/125µm
Single Ended	No
Wire/Cable Type	Duplex

**Material Info**

**Reference - Drawing Numbers**

Sales Drawing	SD-88523-059
---------------	--------------

**EU RoHS**

**ELV and RoHS**

**Compliant**

**REACH SVHC**

**Not Reviewed**

**Halogen-Free**

**Status**

**Not Reviewed**

**China RoHS**



**Need more information on product environmental compliance?**

Email [productcompliance@molex.com](mailto:productcompliance@molex.com)  
 For a multiple part number RoHS Certificate of Compliance, [click here](#)

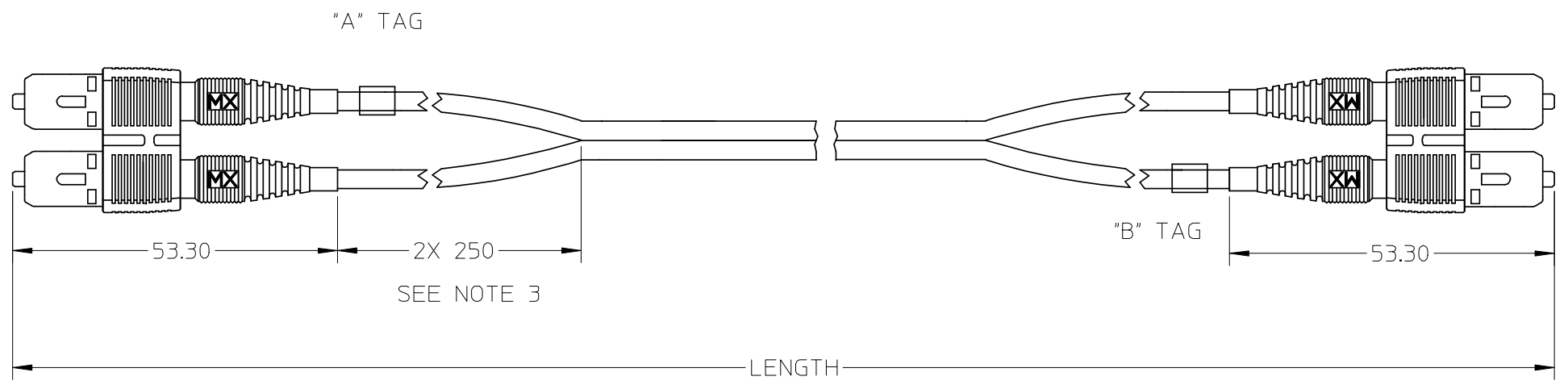
Please visit the [Contact Us](#) section for any non-product compliance questions.

**Search Parts in this Series**

[88523Series](#)

E

E



D

D

C

C

B

B

A

A

885235219	SC-SC DUP MM 62.5/125 3MM 20M	20000(+200/-0)
885235214	SC-SC DUP MM 62.5/125 3MM 15M	15000(+200/-0)
885235209	SC-SC DUP MM 62.5/125 3MM 10M	10000(+200/-0)
885235206	SC-SC DUP MM 62.5/125 3MM 0.3M	300(+100/-0)
885235205	SC-SC DUP MM 62.5/125 3MM 6M	6000(+200/-0)
885235204	SC-SC DUP MM 62.5/125 3MM 5M	5000(+200/-0)
885235202	SC-SC DUP MM 62.5/125 3MM 3M	3000(+200/-0)
885235201	SC-SC DUP MM 62.5/125 3MM 2M	2000(+200/-0)
885235200	SC-SC DUP MM 62.5/125 3MM 1M	1000(+100/-0)
MX P/N	DESCRIPTION	LENGTH

NOTES:

1. DUST CAPS ARE NOT SHOWN
2. PER CHANNEL 850nm  
IL<=0.50dB
3. IF CABLE LENGTH IS LESS THAN 0.7M, CABLE SPLIT LENGTH IS 50MM FROM END OF THE BOOT.

ENTER DESCRIPTION EC NO: DG2009-0023 DRWN:XPCHEN CHKD: APPR: JOWANG	2008/08/04	2008/08/04	2008/08/04
	DESCRIPTION	QUALITY SYMBOLS	GENERAL TOLERANCES (UNLESS SPECIFIED)
	REV	DESCRIPTION	QUALITY SYMBOLS
	A		

DRAFT WHERE APPLICABLE MUST REMAIN WITHIN DIMENSIONS	GENERAL TOLERANCES (UNLESS SPECIFIED)	
	mm	INCH
	4 PLACES ± ---	± ---
	3 PLACES ± ---	± ---
	2 PLACES ± ---	± ---
	1 PLACE ± ---	± ---
	ANGULAR ± ---°	

DIMENSION STYLE MM ONLY	
DRAWN BY XP	DATE 2008/07/17
CHECKED BY LISA	DATE 2008/07/17
APPROVED BY JOHNNY	DATE 2008/07/17
MATERIAL NO. SEE TABLE	

SCALE ---	DESIGN UNITS METRIC	THIRD ANGLE PROJECTION
TITLE SC-SC DUP MM 62.5 3MM		
MOLEX MOLEX INCORPORATED		
MATERIAL NO. SEE TABLE	DOCUMENT NO. SD-88523-059	SHEET NO. 1 OF 1
THIS DRAWING CONTAINS INFORMATION THAT IS PROPRIETARY TO MOLEX INCORPORATED AND SHOULD NOT BE USED WITHOUT WRITTEN PERMISSION		