

PLEASE CHECK WWW.MOLEX.COM FOR LATEST PART INFORMATION

Part Number: **0365120196**
Status: **Active**
Overview: din_41612
Description: 2.54mm (.100") Pitch DIN 41612 Header, Vertical, Through Hole, 0.4µm (16µ") Selective Gold (Au), 48 Circuits, PC Tail Length 2.900mm (.114"),Lead Free

Documents:

[Drawing \(PDF\)](#)

[Product Specification PS-36511-001 \(PDF\)](#)

[RoHS Certificate of Compliance \(PDF\)](#)

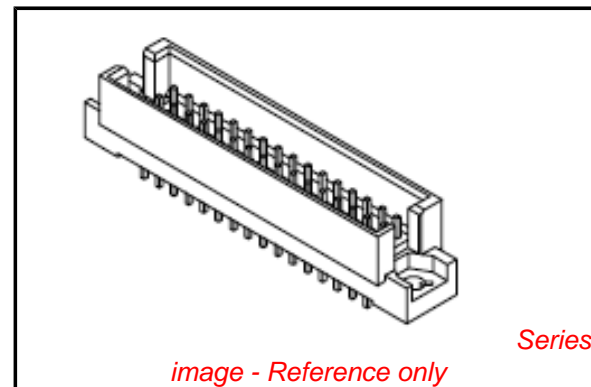
General

| | |
|----------------|----------------------|
| Product Family | Backplane Connectors |
| Series | <u>36512</u> |
| Application | Backplane |
| Component Type | PCB Header |
| Overview | <u>din_41612</u> |
| Product Name | IEC 603-2/DIN 41612 |
| Style | R/2 |

Physical

| | |
|--------------------------------|--------------------|
| Circuits (Loaded) | 48 |
| Circuits (maximum) | 48 |
| Circuits Detail | 1,2,3,...16; a+b+c |
| Color - Resin | Gray |
| Durability (mating cycles max) | Contact Molex |
| First Mate / Last Break | No |
| Guide to Mating Part | No |
| Keying to Mating Part | None |
| Material - Metal | Brass |
| Material - Plating Mating | Gold |
| Material - Plating Termination | Tin |
| Material - Resin | Polyester |
| Number of Columns | 16 |
| Number of Pairs | Open Pin Field |
| Number of Rows | 2 |
| Orientation | Vertical |
| PC Tail Length (in) | 0.114 In |
| PC Tail Length (mm) | 2.90 mm |
| PCB Locator | No |
| PCB Retention | Yes |
| PCB Thickness Recommended (in) | 0.062 In, 0.125 In |
| PCB Thickness Recommended (mm) | 1.60 mm, 3.20 mm |
| Packaging Type | Bag |
| Pitch - Mating Interface (in) | 0.100 In |
| Pitch - Mating Interface (mm) | 2.54 mm |
| Pitch - Term. Interface (in) | 0.100 In |
| Pitch - Term. Interface (mm) | 2.54 mm |
| Plating min: Mating (µin) | 16 |
| Plating min: Mating (µm) | 0.40 |
| Polarized to PCB | No |
| Stackable | No |
| Surface Mount Compatible (SMC) | No |
| Temperature Range - Operating | -55°C to +125°C |
| Termination Interface: Style | Through Hole |

Electrical



EU RoHS

China RoHS

Compliance Status

Not Reviewed

REACH SVHC

Not Reviewed

Halogen-Free

Status

Not Reviewed

Need more information on product environmental compliance?

Email productcompliance@molex.com
 For a multiple part number RoHS Certificate of Compliance, [click here](#)

Please visit the [Contact Us](#) section for any non-product compliance questions.

Search Parts in this Series

[36512Series](#)

Mates With

[36510 PCB Receptacle](#)

| | |
|-------------------------------|------------|
| Current - Maximum per Contact | 1A |
| Data Rate | 622.0 Mbps |
| Voltage - Maximum | N/A |

Material Info

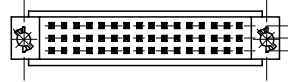
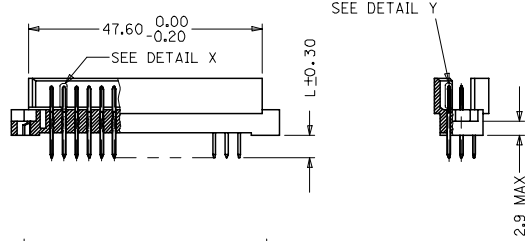
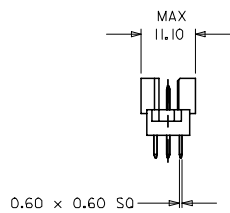
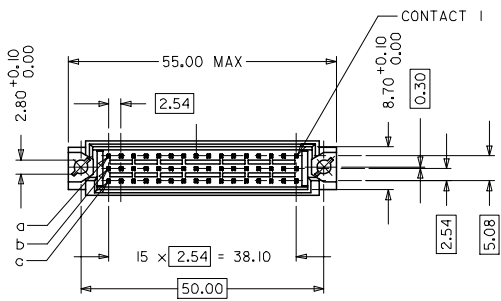
| | |
|-----------------|-------------|
| Old Part Number | MMB1901R480 |
|-----------------|-------------|

Reference - Drawing Numbers

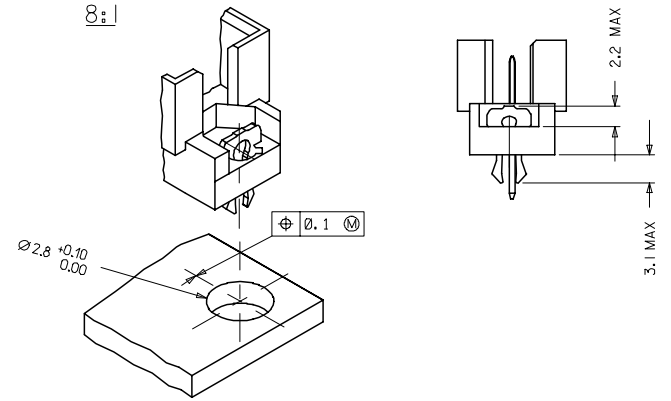
| | |
|-------------------------|--------------|
| Packaging Specification | PK-36512-001 |
| Product Specification | PS-36511-001 |
| Sales Drawing | SD-36512-011 |

This document was generated on 05/13/2010

PLEASE CHECK WWW.MOLEX.COM FOR LATEST PART INFORMATION

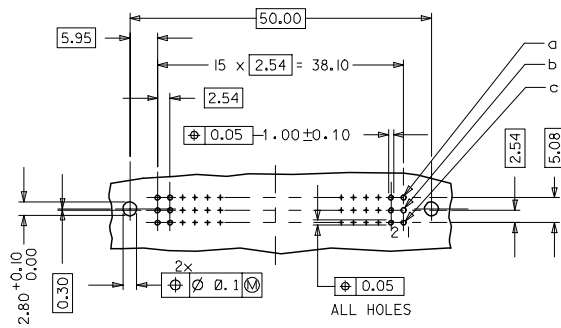


WITH MOUNTING CLIPS



- NOTES:
- 1) MATERIALS: THERMOPLASTIC POLYESTER, GLASS FILLED, UL94V-0, COLOUR: PEBBLE GREY RAL 7032
TERMINAL - BRASS
MOUNTING CLIP: STEEL
 - 2) FINISH: TERMINAL:-
CONTACT AREA
PERFORMANCE LEVEL : SELECTIVE GOLD (Au), THICKNESS = 0.40 MICROMETER
OVER NICKEL, THICKNESS = 1.50 MICROMETER
TERMINATION AREA:
SELECTIVE TIN, THICKNESS = 2.5 MICROMETER
OVER NICKEL, THICKNESS = 1.50 MICROMETER OVERALL
 - 3) MOUNTING CLIP:-
TIN (Sn), THICKNESS = 5-10 MICROMETER,
OVER NICKEL (Ni), THICKNESS = 2.5 MICROMETER
 - 4) FOR NON MOUNTING CLIP OPTION, CONNECTOR TO BE SECURED WITH
RIVETS: 2 TUBULAR RIVETS 2.5 x 0.3 ... DIN 7340
SCREWS: 2 CHEESEHEAD SCREWS M2.5 x ... DIN 84 AND 2 HEXAGONAL NUTS M2.5 DIN 934
 - 5) MATERIAL NUMBER, BATCH CODE, UL AND CSA MARKING
TO BE PRINTED ON THE CONNECTOR
 - 6) CUT FACE OF TIP WITHOUT PLATING PERMITTED
 - 7) PRODUCT SPECIFICATION PS : 36511-001

RECOMMENDED PCB LAYOUT
COMPONENT SIDE

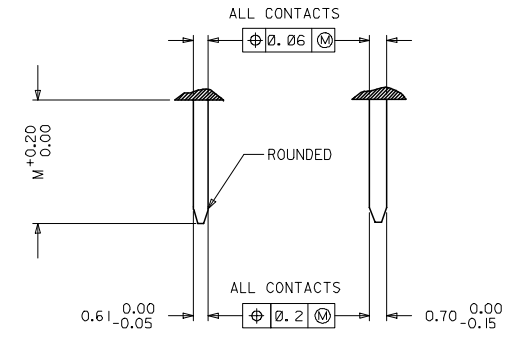


RoHS COMPLIANT

| | | | | | | | | | |
|---|---|--|------|---|--------------------|--|------------------------|------------------------|--|
| ENTER DESCRIPTION ELC.MC.12007-05/14 DRAWINGS CHECKED BY APPROVED BY DATE 2007/06/27 2007/06/27 2007/06/27 | QUALITY SYMBOLS ▽=0 ▽=0 ▽=0 | GENERAL TOLERANCES (UNLESS SPECIFIED) | | DIMENSION STYLE MM ONLY | | SCALE 2:1 | DESIGN UNITS METRIC | THIRD ANGLE PROJECTION | |
| | | 4 PLACES ± 0.15 ± --- | INCH | DRAWN BY SS | DATE 1999/09/24 | ASSEMBLY, DIN 41612 R/2 MALE 48 POS SOLDER L = 2.9 | | | |
| | | 3 PLACES ± 0.05 ± --- | INCH | CHECKED BY G.J.LOWE | | MOLEX INCORPORATED | | | |
| | | 2 PLACES ± 0.1 ± --- | INCH | APPROVED BY G.J.LOWE | | MATERIAL NO. SD-36512-011 DOCUMENT NO. 1 OF 2 | | | |
| DRAFT WHERE APPLICABLE MUST REMAIN WITHIN DIMENSIONS | | SEE SHEET 2 | | THIS DRAWING CONTAINS INFORMATION THAT IS PROPRIETARY TO MOLEX INCORPORATED AND SHOULD NOT BE USED WITHOUT WRITTEN PERMISSION | | | | | |

| | | | | | | | | | | | | | | | | | | | |
|--------------|---------------|--------------|---------|----------------------|------------|---------------|------|----|----|----|---|---|---|---|---|---|---|---|---|
| 20 | 19 | 18 | 17 | 16 | 15 | 14 | 13 | 12 | 11 | 10 | 9 | 8 | 7 | 6 | 5 | 4 | 3 | 2 | 1 |
| MATERIAL No. | MOLEX ENG No. | PERF LEVEL | PLATING | CONTACT SEQUENCE/ROW | DIM "L" MM | MOUNTING CLIP | FMLB | | | | | | | | | | | | |
| 36512-0196 | MM-B1901-R480 | REFER NOTE.2 | Au + Ni | 1.2.3...16 a+b+c | 2.9 | NO | NO | | | | | | | | | | | | |

DETAILY DETAILX



| | |
|---------------------|-----|
| PRE MATING CONTACTS | 5.4 |
| NORMAL CONTACTS | 4.8 |
| | M |

RoHS COMPLIANT

| | | | | | | | |
|--|----------------------------|---|----------------------------------|---|---|-------------------------------|-------------------------------|
| ENTER DESCRIPTION ELC INC. 12/07-05/14 2007/06/21 DRWINGS 2007/06/21 CHKD:PRASAD 2007/06/21 APPR:PRASAD 2007/06/21 A | QUALITY SYMBOLS | GENERAL TOLERANCES (UNLESS SPECIFIED) | | DIMENSION STYLE MM ONLY | SCALE 2:1 | DESIGN UNITS METRIC | THIRD ANGLE PROJECTION |
| | | 4 PLACES ± 0.1 ± 0.004 3 PLACES ± 0.05 ± 0.002 2 PLACES ± 0.1 ± 0.004 1 PLACE ± 0.15 ± 0.005 | DRAWN BY SS 1999/09/24 | CHECKED BY GJLOWE 1999/09/24 | TITLE ASSEMBLY, DIN 41612 R/2 MALE 48 POS SOLDER L = 2.9 | | |
| | | ANGULAR ± 2° | APPROVED BY GJLOWE 1999/09/24 | MATERIAL NO. SEE CHART | DOCUMENT NO. SD-36512-011 | | |
| | | DRAFT WHERE APPLICABLE MUST REMAIN WITHIN DIMENSIONS | SIZE A 1 | THIS DRAWING CONTAINS INFORMATION THAT IS PROPRIETARY TO MOLEX INCORPORATED AND SHOULD NOT BE USED WITHOUT WRITTEN PERMISSION | | | |