

PLEASE CHECK WWW.MOLEX.COM FOR LATEST PART INFORMATION

Part Number: [0520431819](#)
Status: **Active**
Overview:
Description: 1.00mm (.039") Pitch FFC/FPC Connector, Through-Hole, Right Angle, ZIF, Bottom Contact Style Receptacle, 18 Circuits, Lead-free

Agency Certification

CSA LR19980
 UL E29179

General

Product Family FFC/FPC Connectors
 Series 52043
 Overview ffc_fpc_throughhole
 Product Name N/A

Physical

Circuits (Loaded) 18
 Contact Position Bottom
 Durability (mating cycles max) 30
 Entry Angle 90° Angle
 Flammability 94V-0
 Mated Height (in) 0.165 In
 Mated Height (mm) 4.20 mm
 Material - Metal Phosphor Bronze
 Material - Plating Mating Tin-Bismuth
 Material - Plating Termination Tin-Bismuth
 Material - Resin Nylon, Polyester
 Number of Rows 1
 Orientation Right Angle
 PC Tail Length (in) 0.126 In
 PC Tail Length (mm) 3.20 mm
 PCB Retention Yes
 PCB Thickness Recommended (in) 0.063 In
 PCB Thickness Recommended (mm) 1.60 mm
 Packaging Type Tray
 Pitch - Mating Interface (in) 0.039 In
 Pitch - Mating Interface (mm) 1.00 mm
 Polarized to PCB No
 Stackable No
 Temperature Range - Operating -20°C to +80°C
 Termination Interface: Style Through Hole
 Wire/Cable Type FFC/FPC

Electrical

Current - Maximum per Contact 0.5A
 Voltage - Maximum 50V

Material Info

Reference - Drawing Numbers

Packaging Specification SPK-52043
 Product Specification PS-52043-005, RPS-52043-004, RPS-52043-005, RPS-52043-006
 Sales Drawing SD-52043-002

EU RoHS

ELV and RoHS Compliant

REACH SVHC

Not Reviewed

Halogen-Free

Status

Not Reviewed

China RoHS



Need more information on product environmental compliance?

Email productcompliance@molex.com
 For a multiple part number RoHS Certificate of Compliance, [click here](#)

Please visit the [Contact Us](#) section for any non-product compliance questions.

Search Parts in this Series

[52043Series](#)

This document was generated on 06/04/2010

PLEASE CHECK WWW.MOLEX.COM FOR LATEST PART INFORMATION

8

7

6

5

4

3

2

1

F

E

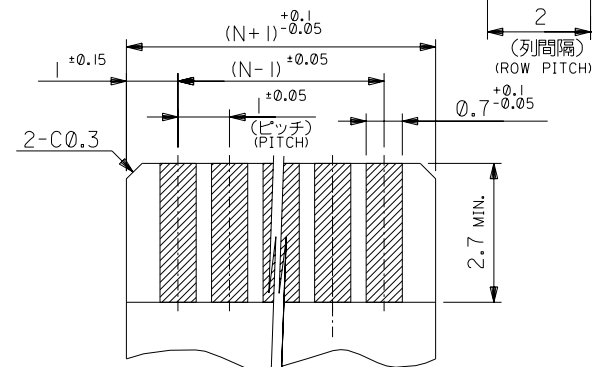
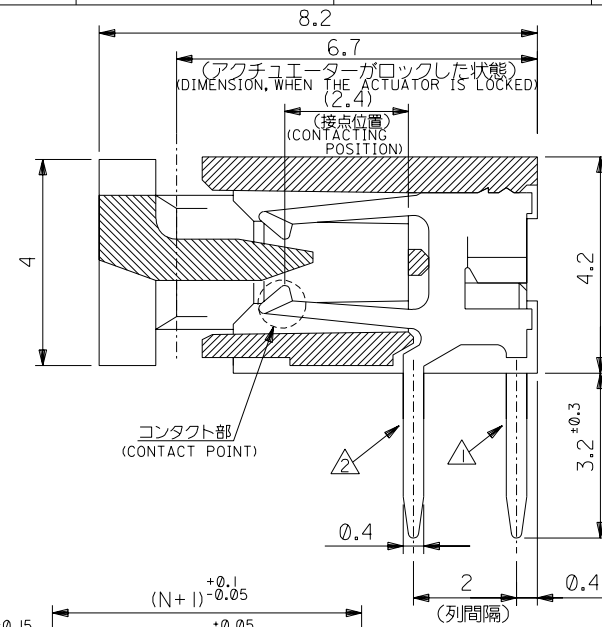
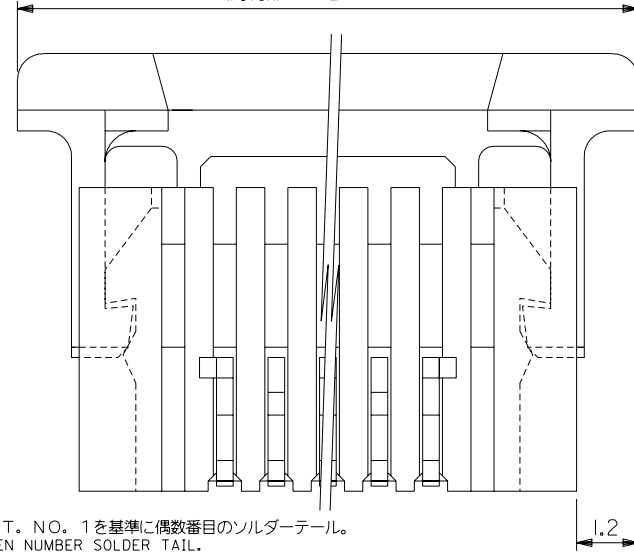
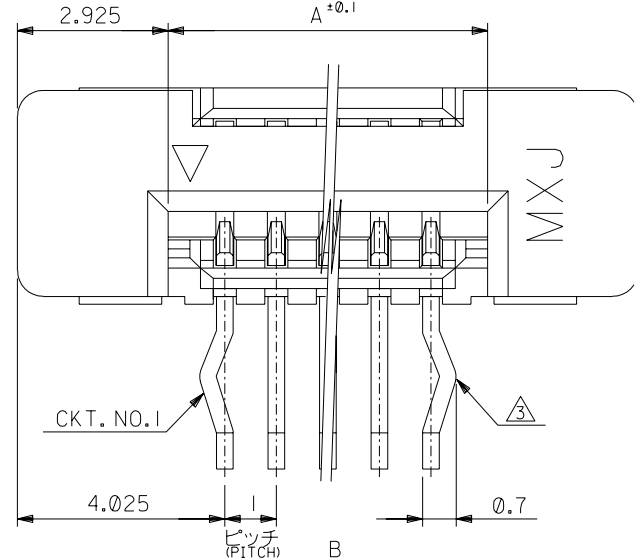
D

C

B

A

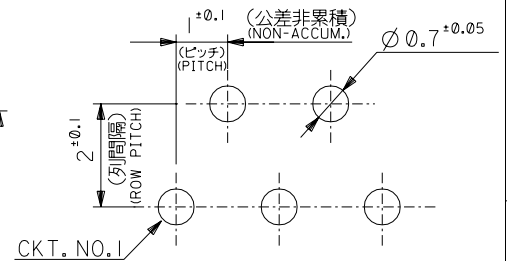
SD-52043-002.S01



適合FPC推奨寸法
APPLICABLE FPC RECOMMENDED DIM.

FPCについて:
打抜き方向は導体側から補強板を推奨致します。補強フィルム材質はポリイミドを推奨致します。
接着剤は熱硬化接着剤を推奨致します。

ABOUT FPC:
RECOMMENDED PUNCHER DIRECTION : FROM CONDUCTOR SIDE TO STIFFENER BOARD SIDE.
RECOMMENDED MATERIAL :
STIFFENER FILM : POLYIMIDE
BONDING AGENT :
THERMOSETTING BONDING AGENT



基板取付穴推奨寸法 (t=1.6)
RECOMMENDED P.C. BOARD HOLE DIM.(t=L6)
(マウント面)
(MOUNTING SURFACE SIDE)

27.05	21.2	52043-2019	20
26.05	20.2	-1919	19
25.05	19.2	-1819	18
24.05	18.2	-1719	17
23.05	17.2	-1619	16
22.05	16.2	-1519	15
21.05	15.2	-1419	14
20.05	14.2	-1319	13
19.05	13.2	-1219	12
18.05	12.2	-1119	11
17.05	11.2	-1019	10
16.05	10.2	-0919	9
15.05	9.2	-0819	8
14.05	8.2	-0719	7
13.05	7.2	-0619	6
12.05	6.2	-0519	5
11.05	5.2	-0419	4
10.05	4.2	52043-0319	3
B	A	MATERIAL NO.	極数 CKT.

- 注記:
 △ CKT. NO. 1を基準に偶数番目のソルダーテール。
 EVEN NUMBER SOLDER TAIL.
 △ CKT. NO. 1を基準に奇数番目のソルダーテール。
 ODD NUMBER SOLDER TAIL.
 △ ソルダーテールキックは、△のソルダーテールの両端部に設ける。
 KINK TO BE APPLIED FOR THE BOTH END OF ODD NUMBER SOLDER TAIL
4. 材料: ターミナル: リン青銅、ニッケル下地 錫ビスマスマメッキ (t=0.32)
 MATERIAL: TERMINAL: PHOSPHOR BRONZE, TIN-BISMUTH OVER NICKEL PLATING (t=0.32)
 ハウジング: 66ナイロン, UL94V-0
 HOUSING: 66NYLON, UL94V-0
 アクチュエーター: ポリエステル, UL94V-0
 ACTUATOR: POLYESTER, UL94V-0
5. 本製品は 52043-**-10 の鉛フリー品である。
 THIS PRODUCT IS LEAD FREE OF 52043-**-10.

角度 ANGLE	±3°					材料 MATERIAL	注記参照 SEE NOTES
30°以上 OVER	±0.3					仕上げ FINISH	—
10°以上 OVER	±0.25					適用電線範囲 WIRE RANGE	—
10°以下 UNDER	±0.2					被覆外径 INS. RANGE	—
一般公差 GENERAL TOLERANCES		記号 LTR	変更内容 REVISION RECORD	DR. CHK.	日付 DATE	材料 MATERIAL	注記参照 SEE NOTES
		0	新規作成 RELEASED (J2004-4301)	Y.W. M.S.	'04/05/19	Y.WADA	CHK'D BY '04/05/19 M.SASAO
						APP'D BY '04/05/19 M.SASAO	尺度 SCALE 10:1

MODEL NO. 52043-**-19

molex MOLEX-JAPAN CO.,LTD.
日本モレックス株式会社

REVISE ONLY ON CAD SYSTEM
TITLE 名称

I.0 FPC CONN. Z.I.F. R/A
-LEAD FREE-

DWG. NO. SD-52043-002 REV 0