

**PLEASE CHECK WWW.MOLEX.COM FOR LATEST PART INFORMATION**

**Part Number:** [0430452215](#)  
**Status:** **Active**  
**Overview:** [microfit\\_30](#)  
**Description:** 3.00mm (.118") Pitch Micro-Fit 3.0™ Header, Surface Mount, Dual Row, Vertical, with Press-fit Metal Retention Clip, 22 Circuits, Tin (Sn) Plating, Glow Wire Compatible

**Documents:**

[3D Model](#) [Product Specification PS-43045 \(PDF\)](#)  
[Drawing \(PDF\)](#) [RoHS Certificate of Compliance \(PDF\)](#)

**Agency Certification**

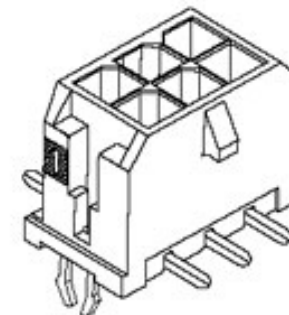
CSA LR19980  
TUV R72081037  
UL E29179

**General**

Product Family PCB Headers  
Series [43045](#)  
Application Wire-to-Board  
Comments Glow Wire Equivalent Part Number [430452215](#). High Temperature, Square Pin, Solder Type  
Overview [microfit\\_30](#)  
Product Literature Order No USA-106  
Product Name Micro-Fit 3.0™

**Physical**

Breakaway No  
Circuits (Loaded) 22  
Circuits (maximum) 22  
Color - Resin Black  
Durability (mating cycles max) 30  
Flammability 94V-0  
Glow-Wire Compliant Yes  
Mated Height (in) 0.680 In  
Mated Height (mm) 17.27 mm  
Material - Metal Brass  
Material - Plating Mating Tin  
Material - Plating Termination Tin  
Material - Resin High Temperature Thermoplastic  
Number of Rows 2  
Orientation Vertical  
PCB Locator Yes  
PCB Retention Yes  
PCB Thickness Recommended (in) 0.062 In  
PCB Thickness Recommended (mm) 1.60 mm  
Packaging Type Embossed Tape on Reel  
Pitch - Mating Interface (in) 0.118 In  
Pitch - Mating Interface (mm) 3.00 mm  
Plating min: Mating (µin) 35  
Plating min: Mating (µm) 0.88  
Plating min: Termination (µin) 35  
Plating min: Termination (µm) 0.88  
Polarized to PCB Yes  
Shrouded Fully  
Stackable No  
Surface Mount Compatible (SMC) N/A



*image - Reference only*

*Series*

**EU RoHS**

**ELV and RoHS Compliant**  
**REACH SVHC Contains SVHC: No**  
**Halogen-Free Status**  
**Not Reviewed**

**China RoHS**



**Need more information on product environmental compliance?**

Email [productcompliance@molex.com](mailto:productcompliance@molex.com)  
For a multiple part number RoHS Certificate of Compliance, [click here](#)

Please visit the [Contact Us](#) section for any non-product compliance questions.

**Search Parts in this Series**

[43045Series](#)

**Mates With**

[43025](#)

|                               |                 |
|-------------------------------|-----------------|
| Temperature Range - Operating | -40°C to +105°C |
| Termination Interface: Style  | Surface Mount   |

### **Electrical**

|                               |      |
|-------------------------------|------|
| Current - Maximum per Contact | 5A   |
| Voltage - Maximum             | 250V |

### **Solder Process Data**

|  |                           |
|--|---------------------------|
| Duration at Max. Process Temperature (seconds) | 30                        |
| Lead-free Process Capability                   | Reflow Capable (SMT only) |
| Max. Cycles at Max. Process Temperature        | 3                         |
| Process Temperature max. C                     | 260                       |

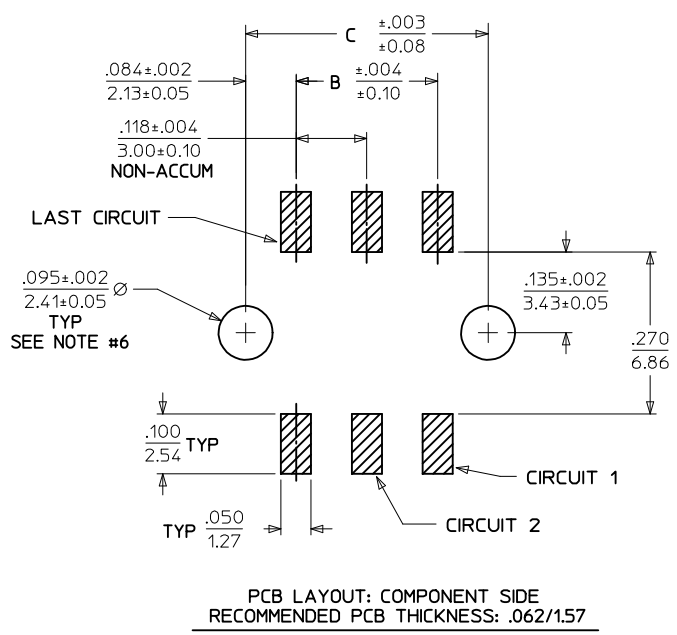
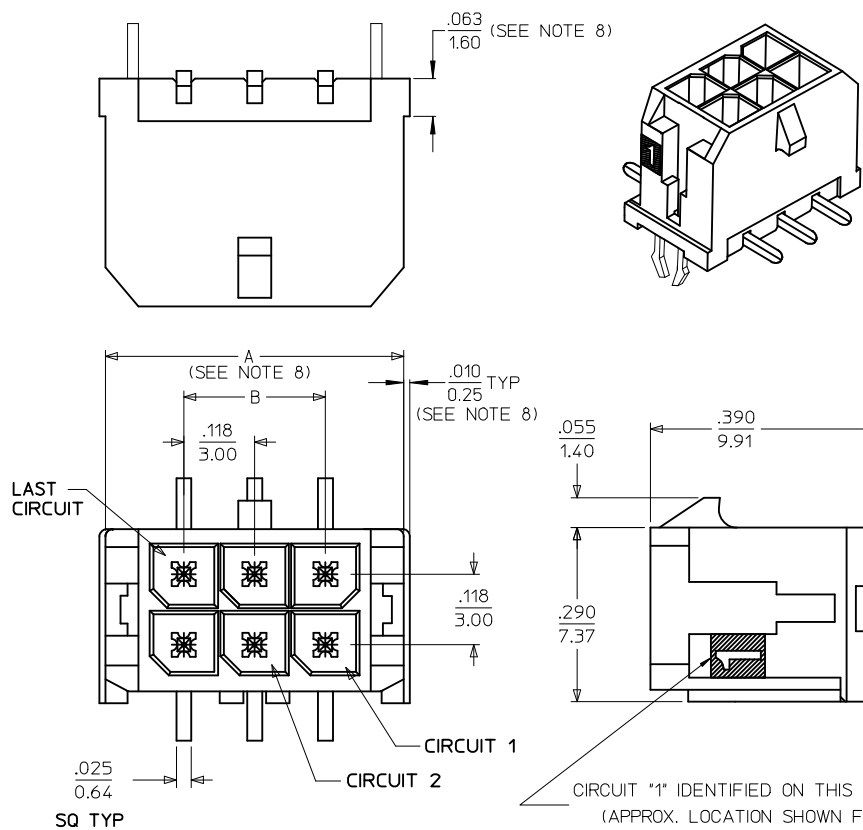
### **Material Info**

### **Reference - Drawing Numbers**

|                           |  |
|---------------------------|--|
| Application Specification | AS-43555-001                           |
| Packaging Specification   | PK-70873-05**                          |
| Product Specification     | PS-43045, RPS-43045-003, RPS-43045-004 |
| Sales Drawing             | SD-43045-006                           |
| Test Summary              | TS-43045-001                           |

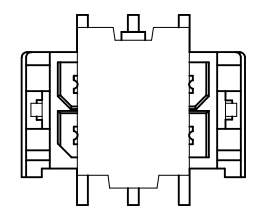
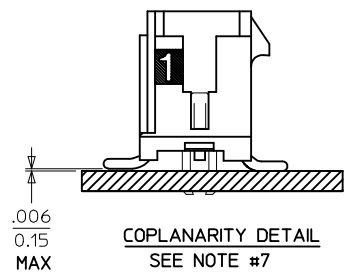
This document was generated on 05/24/2010

**PLEASE CHECK [WWW.MOLEX.COM](http://WWW.MOLEX.COM) FOR LATEST PART INFORMATION**



| CKTS | A (SEE NOTE 8) |                |                |
|------|----------------|----------------|----------------|
|      | B              | C              |                |
| 02   | .262<br>6.65   | NA             | .169<br>4.30   |
| 04   | .380<br>9.65   | .118<br>3.00   | .287<br>7.30   |
| 06   | .498<br>12.65  | .236<br>6.00   | .405<br>10.30  |
| 08   | .616<br>15.65  | .354<br>9.00   | .524<br>13.30  |
| 10   | .734<br>18.65  | .472<br>12.00  | .642<br>16.30  |
| 12   | .852<br>21.65  | .591<br>15.00  | .760<br>19.30  |
| 14   | .970<br>24.65  | .709<br>18.00  | .878<br>22.30  |
| 16   | 1.088<br>27.65 | .827<br>21.00  | .996<br>25.30  |
| 18   | 1.206<br>30.65 | .945<br>24.00  | 1.114<br>28.30 |
| 20   | 1.325<br>33.65 | 1.063<br>27.00 | 1.232<br>31.30 |
| 22   | 1.443<br>36.65 | 1.181<br>30.00 | 1.350<br>34.30 |
| 24   | 1.561<br>39.65 | 1.299<br>33.00 | 1.469<br>37.30 |

PCB LAYOUT: COMPONENT SIDE  
RECOMMENDED PCB THICKNESS: .062/1.57



- NOTES:**
- HOUSING MATERIAL: GLASS FILLED LIQUID CRYSTAL POLYMER, UL94V-0, COLOR: BLACK  
TERMINAL MATERIAL: BRASS ALLOY
  - FINISH: A = .000100/(0.00254) MIN. TIN OVER  
.000050/(0.00127) MIN. NICKEL PLATE.  
B = .000015/(0.00038) MIN. SELECT GOLD IN CONTACT AREA,  
.000100/(0.00254) MIN. SELECT MATTE TIN ON SOLDER TAILS,  
BOTH OVER .000050/(0.00127) MIN. NICKEL PLATE.  
C = .000030/(0.00076) MIN. SELECT GOLD IN CONTACT AREA,  
.000100/(0.00254) MIN. SELECT MATTE TIN ON SOLDER TAILS,  
BOTH OVER .000050/(0.00127) MIN. NICKEL PLATE.
  - \* THE PRIMARY SHIPPING CARTON WILL BE LABELED "COMPLIANT TO RoHS DIRECTIVE 2002/95/EC AND ELV ANNEX II OF DIRECTIVE 2000/53/EC." CARTONS WITHOUT THIS LABEL MAY CONTAIN PRODUCT WITH TIN/LEAD IN THE PC TAIL AREA.
  - PRODUCT SPECIFICATION: PS-43045
  - TAPE AND REEL PACK : SEE MOLEX DRAWING PK-70873-05\*\*
  - MATES WITH MICRO FIT (3.0) RECEPTACLE SERIES 43025
  - TO MINIMIZE INSERTION FORCE OF MOUNTING CLIPS DURING ROBOTIC PLACEMENT THE HOLE DIAMETER SHOULD BE INCREASED TO .108±.002 / 2.74±0.05 AND THEN EVALUATED PER PLACEMENT EQUIPMENT.
  - THE COPLANARITY DIMENSION IS ESTABLISHED BY PLACING THE ASSEMBLY ON A FLAT SURFACE. THE DISTANCE FROM THAT SURFACE TO THE BOTTOM OF ANY TERMINAL MUST NOT EXCEED .006/0.15
  - .010/0.25 OFFSETS ARE PRESENT ON ALL PARTS MANUFACTURED AFTER 11/1/2007, AND ON PARTS PRIOR TO 11/1/2007 THAT CONTAIN A GREEN DOT ON THE PRIMARY SHIPPING CARTON LABEL.
  - THIS PART CONFORMS TO CLASS B REQUIREMENTS OF COSMETIC SPECIFICATION PS-45499-002.

| CKTS | FINISH A     | FINISH B     | FINISH C     |
|------|--------------|--------------|--------------|
|      | MATERIAL NO: | MATERIAL NO: | MATERIAL NO: |
| 02   | 43045-0215   | 43045-0216   | 43045-0217   |
| 04   | 43045-0415   | 43045-0416   | 43045-0417   |
| 06   | 43045-0615   | 43045-0616   | 43045-0617   |
| 08   | 43045-0815   | 43045-0816   | 43045-0817   |
| 10   | 43045-1015   | 43045-1016   | 43045-1017   |
| 12   | 43045-1215   | 43045-1216   | 43045-1217   |
| 14   | 43045-1415   | 43045-1416   | 43045-1417   |
| 16   | 43045-1615   | 43045-1616   | 43045-1617   |
| 18   | 43045-1815   | 43045-1816   | 43045-1817   |
| 20   | 43045-2015   | 43045-2016   | 43045-2017   |
| 22   | 43045-2215   | 43045-2216   | 43045-2217   |
| 24   | 43045-2415   | 43045-2416   | 43045-2417   |

|   |  |   |  |  |   |   |                     |
|---|--|---|--|--|---|---|---------------------|
| ADD: .44/11.2 DIM<br>EC NO: UCP2009-1183<br>DRWNSOUSEK 2008/11/106<br>CHKDKM/KIPPER 2008/11/111<br>APPR:FSM/LTH 2008/11/111 | QUALITY SYMBOLS<br>▽=0<br>▽=0                              | GENERAL TOLERANCES (UNLESS SPECIFIED)<br>mm INCH<br>4 PLACES ± --- ± ---<br>3 PLACES ± --- ± .010<br>2 PLACES ± 0.25 ± .014<br>1 PLACE ± 0.36 ± ---<br>ANGULAR ± 1/2° | DIMENSION STYLE<br>IN/MM<br>DRAWN BY DATE<br>SAMIEC 2000/03/15<br>CHECKED BY DATE<br>MUELLER 2000/03/15<br>APPROVED BY DATE<br>EDGLEY 2000/03/15 | SCALE<br>1:1<br>DESIGN UNITS<br>METRIC<br>THIRD ANGLE PROJECTION | TITLE<br>MICRO FIT (3.0)<br>DUAL ROW VERTICAL SMT<br>HEADER W/CLIPS ASS'Y<br>MOLEX MOLEX INCORPORATED | MATERIAL NO.<br>SEE CHART<br>DOCUMENT NO.<br>SD-43045-006 | SHEET NO.<br>1 OF 1 |
|   | DRAFT WHERE APPLICABLE<br>MUST REMAIN<br>WITHIN DIMENSIONS |   | THIS DRAWING CONTAINS INFORMATION THAT IS PROPRIETARY TO MOLEX<br>INCORPORATED AND SHOULD NOT BE USED WITHOUT WRITTEN PERMISSION                 |  |   |   |                     |
|   | F2   | REV   |  |  |   |   |                     |