

PLEASE CHECK WWW.MOLEX.COM FOR LATEST PART INFORMATION

Part Number: [0443001800](#)
Status: **Active**
Overview: [microfit_30](#)
Description: 3.00mm (.118") Micro-Fit 3.0 BMI™ Plug Housing, Dual Row, Panel Mount, 18 Circuits

Documents:

[3D Model](#) [Product Specification PS-44300-001 \(PDF\)](#)
[Drawing \(PDF\)](#) [RoHS Certificate of Compliance \(PDF\)](#)

Agency Certification

CSA	LR19980
TUV	R72081037
UL	E29179

General

Product Family	Crimp Housings
Series	44300
Overview	microfit_30
Product Literature Order No	USA-106
Product Name	Micro-Fit 3.0 BMI™

Physical

Circuits (maximum)	18
Color - Resin	Black
Flammability	94V-0
Gender	Male
Glow-Wire Compliant	No
Material - Resin	Polyester
Number of Rows	2
Packaging Type	Bag
Panel Mount	Yes
Pitch - Mating Interface (in)	0.118 In
Pitch - Mating Interface (mm)	3.00 mm
Stackable	No
Temperature Range - Operating	-40°C to +105°C

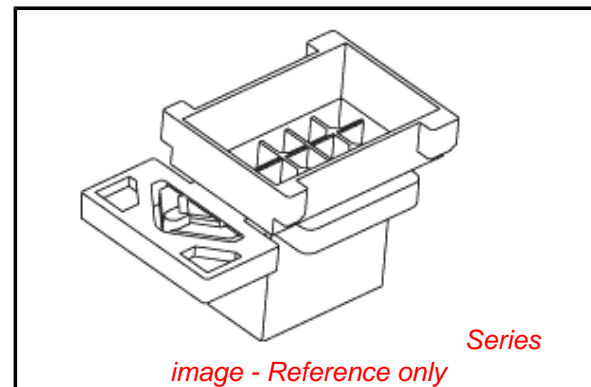
Electrical

Current - Maximum per Contact	5A
-------------------------------	----

Material Info

Reference - Drawing Numbers

Packaging Specification	PK-44300-001
Product Specification	PS-44300-001, RPS-44300-001
Sales Drawing	SD-44300-001



EU RoHS

ELV and RoHS Compliant
REACH SVHC
 Not Reviewed
Halogen-Free Status

China RoHS



Not Halogen-Free

Need more information on product environmental compliance?

Email productcompliance@molex.com
 For a multiple part number RoHS Certificate of Compliance, [click here](#)

Please visit the [Contact Us](#) section for any non-product compliance questions.

Search Parts in this Series

[44300Series](#)

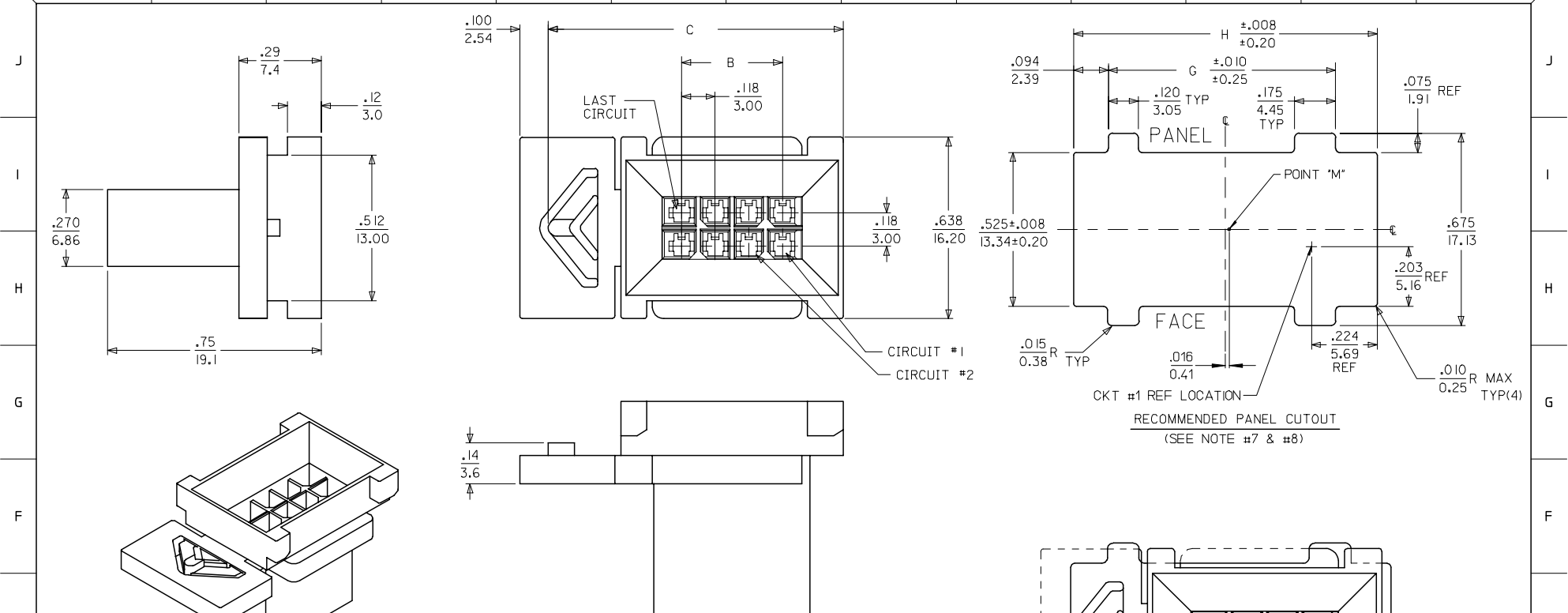
Mates With

[44133](#) , [44764](#) , [44769](#)

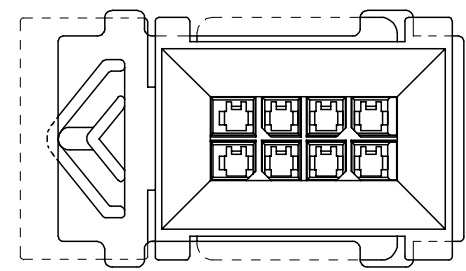
Use With

[43031](#)

13 12 11 10 9 8 7 6 5 4 3 2 1



- NOTES:
1. MATERIAL:
UNFILLED POLYESTER (PBT), UL94V-0,
COLOR: BLACK
 2. FINISH: N/A
 3. PRODUCT SPECIFICATION: PS-44300-001
 4. PACKAGING SPECIFICATION:
BP - BULK PACKED PER PK-44300-001
TP - TRAY PACKED PER PK-44300-002
 5. THIS PLUG MATES WITH MOLEX BMI RECEPTACLE 44133.
(MOLEX DRAWING SD-44133-001)
 6. THIS PLUG TO BE USED WITH MOLEX MALE CRIMP
TERMINALS ONLY. (MOLEX DRAWING SD-43031-xxxx)
 7. THIS PLUG IS DESIGNED FOR USE WITH .062/1.57 MAX. TO .050/1.27 MINIMUM THICK PANELS.
 8. WHEN MATING WITH 44133 SERIES, POINT 'M' MUST ALIGN WITH THE PANEL CUT-OUT CENTERLINES
DEFINED BY MOLEX DRAWING SD-44133-001.
 9. HOUSING MAY EXHIBIT A SURFACE IMPERFECTION KNOWN AS 'SINK MARKS' UP TO .024/0.60 MAX.
THIS IS COSMETIC DEFECT AND DOES NOT EFFECT FUNCTION OF THE CONNECTOR.



CKT SIZE	MATERIAL NUMBER	DIM "B"	DIM "C"	DIM "G"	DIM "H"	PACKAGING (SEE NOTE 4)
4	44300-0400	.118 3.00	.80 20.3	.585 14.85	.821 20.85	BP
6	44300-0600	.236 6.00	.92 23.3	.703 17.85	.939 23.85	
8	44300-0800	.354 9.00	1.04 26.3	.821 20.85	1.057 26.85	
10	44300-1000	.472 12.00	1.16 29.3	.939 23.85	1.175 29.85	
12	44300-1200	.591 15.00	1.28 32.3	1.057 26.85	1.293 32.85	TP
14	44300-1400	.709 18.00	1.39 35.3	1.175 29.85	1.411 35.85	
16	44300-1600	.827 21.00	1.51 38.3	1.293 32.85	1.530 38.85	
18	44300-1800	.945 24.00	1.63 41.3	1.411 35.85	1.648 41.85	
20	44300-2000	1.063 27.00	1.75 44.3	1.530 38.85	1.766 44.85	BP
22	44300-2200	1.181 30.00	1.87 47.3	1.648 41.85	1.884 47.85	
24	44300-2400	1.299 33.00	1.98 50.3	1.766 44.85	2.002 50.85	

REVISE PACKAGING FC NO: UCP2007-2862 DRAWN BY: J1 CHKD: SSOUSEK APPR: FSM TH 2007/05/15 2007/06/01 2007/06/04	QUALITY SYMBOLS ▽=0 ▽=0	GENERAL TOLERANCES (UNLESS SPECIFIED) mm INCH 4 PLACES ± --- ± --- 3 PLACES ± --- ± .010 2 PLACES ± 0.25 ± .014 1 PLACE ± 0.35 ± --- ANGULAR ±1/2°	DIMENSION STYLE IN/MM DRAWN BY: SOMMER DATE: 1998/11/25 CHECKED BY: SOMMER DATE: 1998/11/25 APPROVED BY: EDGLEY DATE: 1998/11/25	SCALE: 4:1 DESIGN UNITS: METRIC THIRD ANGLE PROJECTION	MICRO-FIT 3.0 DUAL ROW BMI PANEL MOUNT PLUG MOLEX INCORPORATED	SHEET NO. 1 OF 1
	DRAFT WHERE APPLICABLE MUST REMAIN WITHIN DIMENSIONS		SEE CHART	MATERIAL NO. SD-44300-001 DOCUMENT NO.	MOLEX INCORPORATED	
	THIS DRAWING CONTAINS INFORMATION THAT IS PROPRIETARY TO MOLEX INCORPORATED AND SHOULD NOT BE USED WITHOUT WRITTEN PERMISSION		THIS DRAWING CONTAINS INFORMATION THAT IS PROPRIETARY TO MOLEX INCORPORATED AND SHOULD NOT BE USED WITHOUT WRITTEN PERMISSION		MOLEX INCORPORATED	
	J1		SEE CHART		SD-44300-001	

ib_frame_C_P_ME_T Rev. D 2004/04/02 12 11 10 9 8 7 6 5 4 3 2 1