

PLEASE CHECK WWW.MOLEX.COM FOR LATEST PART INFORMATION

Part Number: **0430451419**
Status: **Active**
Overview: microfit_30
Description: 3.00mm (.118") Pitch Micro-Fit 3.0™ Header, Surface Mount, Dual Row, Vertical, with Solder Tab, 14 Circuits, 0.38µm (15µ") Gold (Au) Selective Plating, Glow Wire Compatible

Documents:

[3D Model](#) [Product Specification PS-43045 \(PDF\)](#)
[Drawing \(PDF\)](#) [RoHS Certificate of Compliance \(PDF\)](#)

Agency Certification

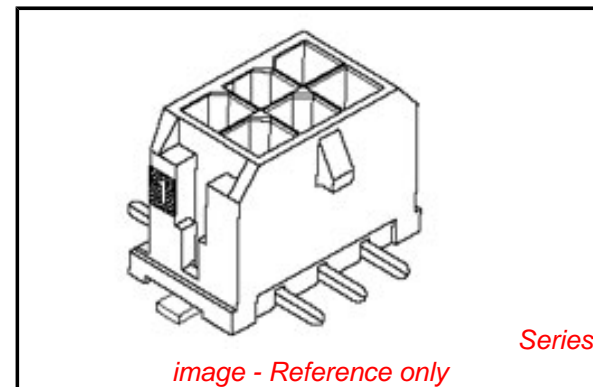
| | |
|-----|-----------|
| CSA | LR19980 |
| TUV | R72081037 |
| UL | E29179 |

General

| | |
|-----------------------------|---|
| Product Family | PCB Headers |
| Series | <u>43045</u> |
| Application | Wire-to-Board |
| Comments | Glow Wire Equivalent Part Number <u>430451419</u> . High Temperature, Square Pin, Solder Type |
| Overview | <u>microfit_30</u> |
| Product Literature Order No | USA-106 |
| Product Name | Micro-Fit 3.0™ |

Physical

| | |
|--------------------------------|--------------------------------|
| Breakaway | No |
| Circuits (Loaded) | 14 |
| Circuits (maximum) | 14 |
| Color - Resin | Black |
| Durability (mating cycles max) | 30 |
| Flammability | 94V-0 |
| Glow-Wire Compliant | Yes |
| Mated Height (in) | 0.680 In |
| Mated Height (mm) | 17.27 mm |
| Material - Metal | Brass |
| Material - Plating Mating | Tin |
| Material - Plating Termination | Tin |
| Material - Resin | High Temperature Thermoplastic |
| Number of Rows | 2 |
| Orientation | Vertical |
| PCB Locator | Yes |
| PCB Retention | Yes |
| PCB Thickness Recommended (in) | 0.062 In |
| PCB Thickness Recommended (mm) | 1.60 mm |
| Packaging Type | Embossed Tape on Reel |
| Pitch - Mating Interface (in) | 0.118 In |
| Pitch - Mating Interface (mm) | 3.00 mm |
| Plating min: Mating (µin) | 35 |
| Plating min: Mating (µm) | 0.88 |
| Plating min: Termination (µin) | 35 |
| Plating min: Termination (µm) | 0.88 |
| Polarized to PCB | Yes |
| Shrouded | Fully |
| Stackable | No |



EU RoHS

ELV and RoHS Compliant
REACH SVHC Contains SVHC: No
Halogen-Free Status

China RoHS



Need more information on product environmental compliance?

Email productcompliance@molex.com
 For a multiple part number RoHS Certificate of Compliance, [click here](#)

Please visit the [Contact Us](#) section for any non-product compliance questions.

Search Parts in this Series

[43045Series](#)

Mates With

[43025](#)

| | |
|--------------------------------|-----------------|
| Surface Mount Compatible (SMC) | N/A |
| Temperature Range - Operating | -40°C to +105°C |
| Termination Interface: Style | Surface Mount |

Electrical

| | |
|-------------------------------|------|
| Current - Maximum per Contact | 5A |
| Voltage - Maximum | 250V |

Solder Process Data

| | |
|--|---------------------------|
| Duration at Max. Process Temperature (seconds) | 30 |
| Lead-free Process Capability | Reflow Capable (SMT only) |
| Max. Cycles at Max. Process Temperature | 3 |
| Process Temperature max. C | 260 |

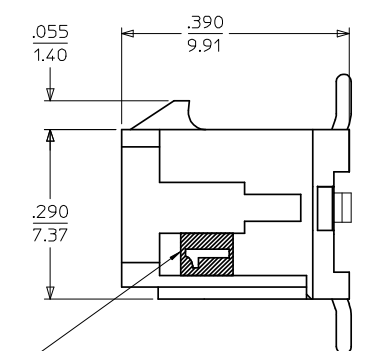
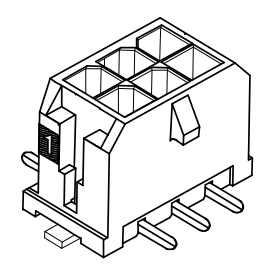
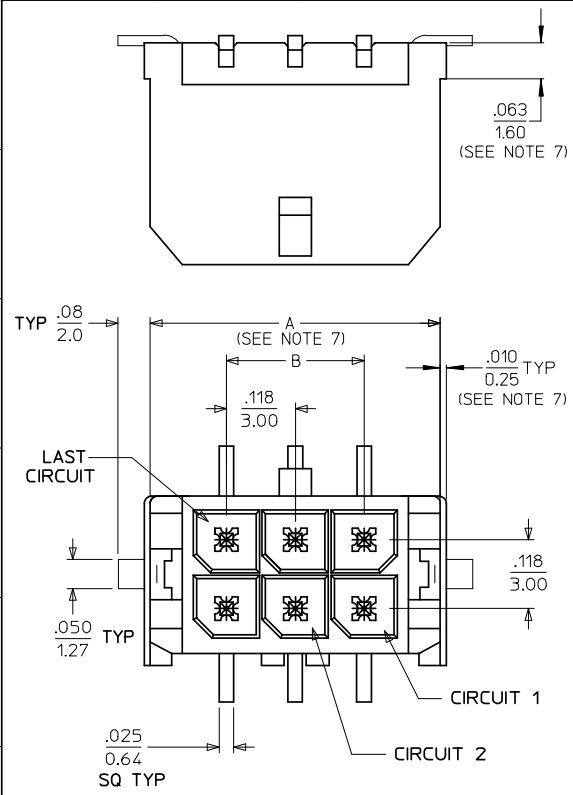
Material Info

Reference - Drawing Numbers

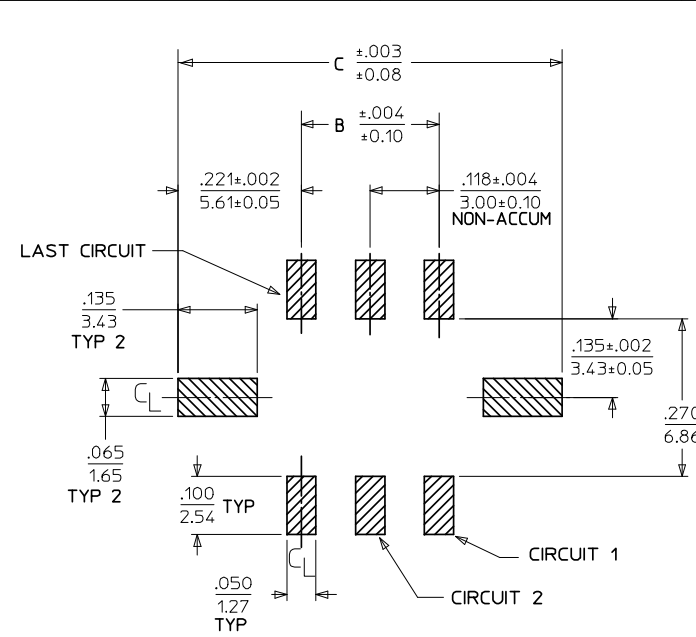
| | |
|---------------------------|--|
| Application Specification | AS-43555-001 |
| Packaging Specification | PK-70873-05** |
| Product Specification | PS-43045, RPS-43045-003, RPS-43045-004 |
| Sales Drawing | SD-43045-007 |
| Test Summary | TS-43045-001, TS-43045-002 |

This document was generated on 05/24/2010

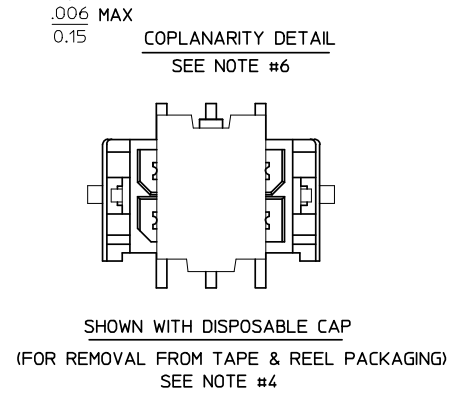
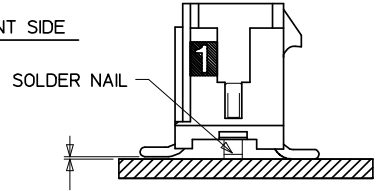
PLEASE CHECK WWW.MOLEX.COM FOR LATEST PART INFORMATION



CIRCUIT "1" IDENTIFIED ON THIS SURFACE (APPROX. LOCATION SHOWN FOR REF.)



PCB LAYOUT: COMPONENT SIDE



| CKTS | A (SEE NOTE 7) | | |
|------|----------------|-------|-------|
| | B | C | |
| 02 | .262 | .441 | |
| | 6.65 | NA | 11.20 |
| 04 | .380 | .118 | .559 |
| | 9.65 | 3.00 | 14.20 |
| 06 | .498 | .236 | .677 |
| | 12.65 | 6.00 | 17.20 |
| 08 | .616 | .354 | .795 |
| | 15.65 | 9.00 | 20.20 |
| 10 | .734 | .472 | .913 |
| | 18.65 | 12.00 | 23.20 |
| 12 | .852 | .591 | 1.031 |
| | 21.65 | 15.00 | 26.20 |
| 14 | .970 | .709 | 1.150 |
| | 24.65 | 18.00 | 29.20 |
| 16 | 1.088 | .827 | 1.268 |
| | 27.65 | 21.00 | 32.20 |
| 18 | 1.206 | .945 | 1.386 |
| | 30.65 | 24.00 | 35.20 |
| 20 | 1.325 | 1.063 | 1.504 |
| | 33.65 | 27.00 | 38.20 |
| 22 | 1.443 | 1.181 | 1.622 |
| | 36.65 | 30.00 | 41.20 |
| 24 | 1.561 | 1.299 | 1.740 |
| | 39.65 | 33.00 | 44.20 |

NOTES:

- HOUSING MATERIAL: GLASS FILLED LIQUID CRYSTAL POLYMER UL94V-0, COLOR: BLACK
TERMINAL MATERIAL: BRASS ALLOY
- FINISH: A = .000100/(0.00254) MIN. TIN OVER .000050/(0.00127) MIN. NICKEL PLATE.
B = .000015/(0.00038) MIN. SELECT GOLD IN CONTACT AREA, .000100/(0.00254) MIN. SELECT MATTE TIN ON SOLDER TAILS, BOTH OVER .000050/(0.00127) MIN. NICKEL PLATE.
C = .000030/(0.00076) MIN. SELECT GOLD IN CONTACT AREA, .000100/(0.00254) MIN. SELECT MATTE TIN ON SOLDER TAILS, BOTH OVER .000050/(0.00127) MIN. NICKEL PLATE.
* THE PRIMARY SHIPPING CARTON WILL BE LABELED "COMPLIANT TO RoHS DIRECTIVE 2002/95/EC AND ELV ANNEX II OF DIRECTIVE 2000/53/EC." CARTONS WITHOUT THIS LABEL MAY CONTAIN PRODUCT WITH TIN/LEAD IN THE PC TAIL AREA.
- PRODUCT SPECIFICATION: PS-43045
- TAPE AND REEL PACK : SEE MOLEX DRAWING PK-70873-05**
- MATES WITH MICRO FIT (3.0) RECEPTACLE SERIES 43025
- THE COPLANARITY DIMENSION IS ESTABLISHED BY PLACING THE ASSEMBLY ON A FLAT SURFACE. THE DISTANCE FROM THAT SURFACE TO THE BOTTOM OF ANY TERMINAL OR SOLDER NAIL MUST NOT EXCEED .006/0.15
- .010/0.25 OFFSETS ARE PRESENT ON ALL PARTS MANUFACTURED AFTER 11/1/2007, AND ON PARTS PRIOR TO 11/1/2007 THAT CONTAIN A GREEN DOT ON THE PRIMARY SHIPPING CARTON LABEL.
- THIS PART CONFORMS TO CLASS B REQUIREMENTS OF COSMETIC SPECIFICATION PS-45499-002.

| | FINISH A | FINISH B | FINISH C |
|------|--------------|--------------|--------------|
| CKTS | MATERIAL NO: | MATERIAL NO: | MATERIAL NO: |
| 02 | 43045-0218 | 43045-0219 | 43045-0220 |
| 04 | 43045-0418 | 43045-0419 | 43045-0420 |
| 06 | 43045-0618 | 43045-0619 | 43045-0620 |
| 08 | 43045-0818 | 43045-0819 | 43045-0820 |
| 10 | 43045-1018 | 43045-1019 | 43045-1020 |
| 12 | 43045-1218 | 43045-1219 | 43045-1220 |
| 14 | 43045-1418 | 43045-1419 | 43045-1420 |
| 16 | 43045-1618 | 43045-1619 | 43045-1620 |
| 18 | 43045-1818 | 43045-1819 | 43045-1820 |
| 20 | 43045-2018 | 43045-2019 | 43045-2020 |
| 22 | 43045-2218 | 43045-2219 | 43045-2220 |
| 24 | 43045-2418 | 43045-2419 | 43045-2420 |

| | | | | | | | | | |
|--|-------------------------------|---|------------|---|---|--------------|------------------------|------------------------|--|
| REVISION NOTE 7 EC NO: UCP2008-0324 DRWN:WKP/PER 2007/12/19 CHKD:SS/USEK 2007/12/20 APPR:FSM/LTH 2007/12/21 | QUALITY SYMBOLS ▽=0 ▽=0 | GENERAL TOLERANCES (UNLESS SPECIFIED) | | DIMENSION STYLE IN/MM | | SCALE --- | DESIGN UNITS METRIC | THIRD ANGLE PROJECTION | |
| | | 4 PLACES ± --- ± --- 3 PLACES ± --- ± .010 2 PLACES ± 0.25 ± .014 1 PLACE ± 0.36 ± --- ANGULAR ± 1/2° | mm INCH | DRAWN BY SAMIEC DATE 2000/03/15 | TITLE MICRO FIT (3.0) DUAL ROW VERTICAL SMT HEADER W/NAILS ASS'Y | | | | |
| | | DRAFT WHERE APPLICABLE MUST REMAIN WITHIN DIMENSIONS | | CHECKED BY MUELLER DATE 2000/03/15 | MOLEX INCORPORATED | | | | |
| | | SEE CHART | | APPROVED BY EDGLEY DATE 2000/03/15 | DOCUMENT NO. SD-43045-007 | | SHEET NO. 1 OF 1 | | |

THIS DRAWING CONTAINS INFORMATION THAT IS PROPRIETARY TO MOLEX INCORPORATED AND SHOULD NOT BE USED WITHOUT WRITTEN PERMISSION