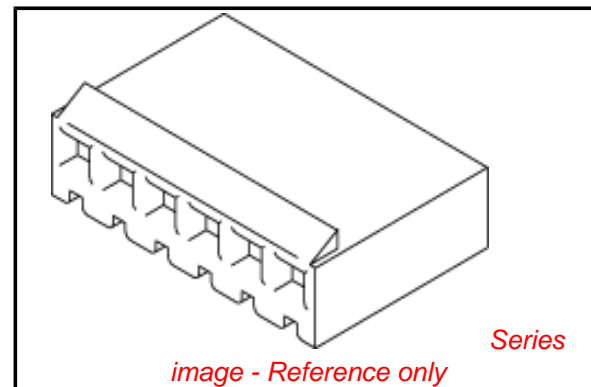


PLEASE CHECK WWW.MOLEX.COM FOR LATEST PART INFORMATION

Part Number: [0009524024](#)
Status: **Active**
Overview: [kk](#)
Description: 3.96mm (.156") Pitch KK® Crimp Housing, Female, Friction Ramp, 2 Circuits

Documents:

| | |
|---|---|
| 3D Model | Product Specification PS-5239-006 (PDF) |
| Drawing (PDF) | Product Specification PS-5239-007 (PDF) |
| Product Specification PS-5239-002 (PDF) | Product Specification PS-5239-010 (PDF) |
| Product Specification PS-5239-003 (PDF) | Product Specification PS-5239-011 (PDF) |
| Product Specification PS-5239-004 (PDF) | RoHS Certificate of Compliance (PDF) |
| Product Specification PS-5239-005 (PDF) | |



Agency Certification

| | |
|-----|-----------|
| CSA | LR19980 |
| TUV | R72090224 |
| UL | E29179 |

General

| | |
|----------------|----------------------|
| Product Family | Crimp Housings |
| Series | 5239 |
| Overview | kk |
| Product Name | KK® |

Physical

| | |
|-------------------------------|-----------------|
| Circuits (maximum) | 2 |
| Color - Resin | Natural |
| Flammability | 94V-2 |
| Gender | Female |
| Glow-Wire Compliant | No |
| Lock to Mating Part | Yes |
| Material - Resin | Nylon |
| Number of Rows | 1 |
| Packaging Type | Bag |
| Panel Mount | No |
| Pitch - Mating Interface (in) | 0.156 In |
| Pitch - Mating Interface (mm) | 3.96 mm |
| Polarized to Mating Part | Yes |
| Stackable | No |
| Temperature Range - Operating | -40°C to +105°C |

Material Info

| | |
|-----------------|---------|
| Old Part Number | 5239-02 |
|-----------------|---------|

Reference - Drawing Numbers

| | |
|-----------------------|--|
| Product Specification | PS-5239-002, PS-5239-003, PS-5239-004, PS-5239-005, PS-5239-006, PS-5239-007, PS-5239-010, PS-5239-011, RPS-5239-001 |
| Sales Drawing | SD-5239-N |

EU RoHS

ELV and RoHS Compliant
REACH SVHC
 Not Reviewed
Halogen-Free Status

China RoHS



Halogen-Free

Need more information on product environmental compliance?

Email productcompliance@molex.com
 For a multiple part number RoHS Certificate of Compliance, [click here](#)

Please visit the [Contact Us](#) section for any non-product compliance questions.

Search Parts in this Series

[5239Series](#)

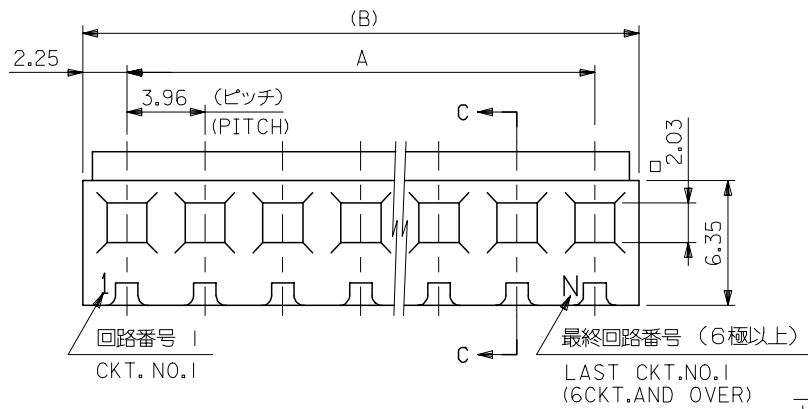
Mates With

Right Angle PCB Header, [5274](#) [5272](#) ,
 Vertical PCB Header [5271](#) , [5273](#)

Use With

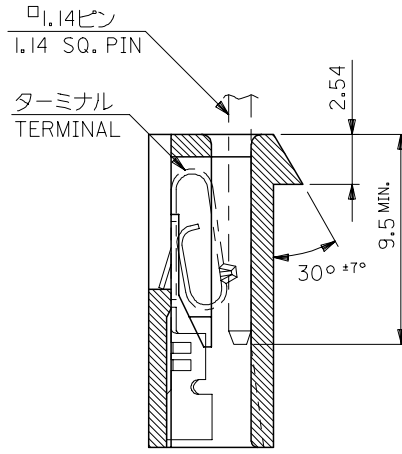
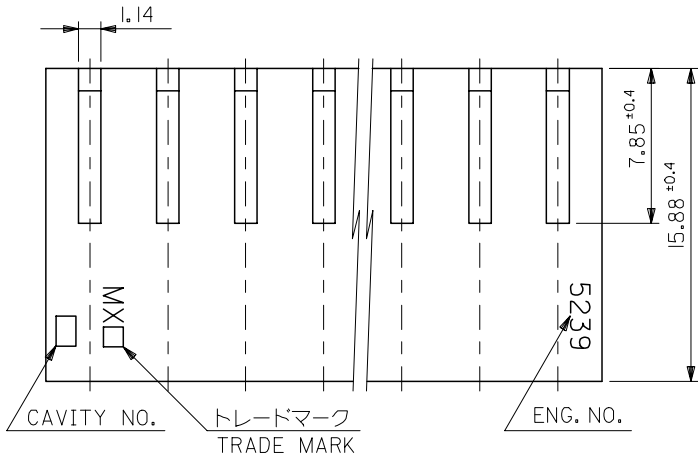
[5168](#) Cat Ear Crimp Terminals for 22-28 AWG, [5167](#) Cat Ear Crimp Terminals for 18-24 AWG, [2478](#) Crimp Terminal, [2578](#) Crimp Terminal

10 9 8 7 6 5 4 3 2 1



注記 NOTES

- 適合ターミナル : 2478, 2578, 5167, 5168 シリーズ
APPLICABLE TERMINAL: 2478, 2578, 5167, 5168 SERIES.
- 反り : 0.2/25.4 MAX.
CAMBER: 0.2/25.4 MAX.



SECT. C-C

| | | | | |
|-------|-------------|------------|----------|---------|
| 79.74 | 75.24 ±0.4 | 09-52-4204 | 5239-20 | 20 |
| 71.82 | 67.32 ±0.35 | ▲ -4184 | ▲ -18 | 18 |
| 67.86 | 63.36 ±0.3 | -4174 | -17 | 17 |
| 63.90 | 59.40 ±0.3 | -4164 | -16 | 16 |
| 59.94 | 55.44 ±0.3 | -4154 | -15 | 15 |
| 55.98 | 51.48 ±0.3 | -4144 | -14 | 14 |
| 52.02 | 47.52 ±0.3 | -4134 | -13 | 13 |
| 48.06 | 43.56 ±0.25 | -4124 | -12 | 12 |
| 44.10 | 39.60 ±0.25 | -4114 | -11 | 11 |
| 40.14 | 35.64 ±0.25 | -4104 | -10 | 10 |
| 36.18 | 31.68 ±0.2 | -4094 | -09 | 9 |
| 32.22 | 27.72 ±0.2 | -4084 | -08 | 8 |
| 28.26 | 23.76 ±0.2 | -4074 | -07 | 7 |
| 24.30 | 19.80 ±0.2 | -4064 | -06 | 6 |
| 20.34 | 15.84 ±0.15 | -4054 | -05 | 5 |
| 16.38 | 11.88 ±0.15 | -4044 | -04 | 4 |
| 12.42 | 7.92 ±0.15 | ▼ -4034 | ▼ -03 | 3 |
| 8.46 | 3.96 ±0.1 | 09-52-4024 | 5239-02 | 2 |
| B | A | EDP NO. | ENG. NO. | 極数 CKT. |

MATERIAL
ナイロン66 UL94V-2
NYLON66

| | | | | | | | | |
|---|---------------------------------------|--|----------------------------|--------------------|--|------------------------|------------------------|--|
| REVISED EC NO: J2006-3401 DRWNG: SAITOO1 2006/07/19 CHKD: TANAKA 2006/07/19 APPR: NUKITA 2006/07/20 | GENERAL TOLERANCES (UNLESS SPECIFIED) | | DIMENSION STYLE MM ONLY | | SCALE 4:1 | DESIGN UNITS METRIC | THIRD ANGLE PROJECTION | |
| | 10 UNDER | ±0.2 | DRAWN BY H. HIRAMOTO | DATE 1989/09/15 | TITLE KK 3.96 RECEPTACLE HSG | | | |
| | 10 OVER 30 UNDER | ±0.25 | CHECKED BY S.A/ M.F | DATE 1996/04/10 | APPROVED BY M. FUKUSHIMA 1996/04/10 | | | |
| | 30 OVER | ±0.3 | MATERIAL NO. SEE CHART | | DOCUMENT NO. SD-5239-N | | SHEET NO. 1 OF 1 | |
| ANGULAR ±3 ° | | DRAFT WHERE APPLICABLE MUST REMAIN WITHIN DIMENSIONS | | | | | | |
| THIS DRAWING CONTAINS INFORMATION THAT IS PROPRIETARY TO MOLEX INCORPORATED AND SHOULD NOT BE USED WITHOUT WRITTEN PERMISSION | | | | | | | | |