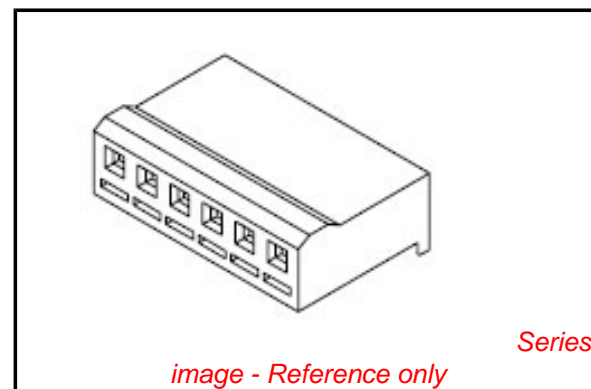


PLEASE CHECK WWW.MOLEX.COM FOR LATEST PART INFORMATION

Part Number: [0009501031](#)
Status: **Active**
Overview: [spox](#)
Description: 3.96mm (.156") Pitch SPOX™ Crimp Housing, Female, With Friction Ramp, 3 Circuits

Documents:

3D Model	Product Specification PS-5195-007 (PDF)
Drawing (PDF)	Product Specification PS-5273-003 (PDF)
Product Specification PS-5195-003 (PDF)	Product Specification PS-5273-004 (PDF)
Product Specification PS-5195-004 (PDF)	RoHS Certificate of Compliance (PDF)
Product Specification PS-5195-005 (PDF)	



Agency Certification

CSA	LR19980
TUV	R72090224
UL	E29179

General

Product Family	Crimp Housings
Series	5195
Overview	spox
Product Name	SPOX™

Physical

Circuits (maximum)	3
Color - Resin	Natural
Flammability	94V-2
Gender	Female
Glow-Wire Compliant	No
Material - Resin	Nylon
Number of Rows	1
Packaging Type	Bag
Panel Mount	No
Pitch - Mating Interface (in)	0.156 In
Pitch - Mating Interface (mm)	3.96 mm
Stackable	No
Temperature Range - Operating	-40°C to +105°C

Material Info

Old Part Number	5195-03
-----------------	---------

Reference - Drawing Numbers

Packaging Specification	SPK-5195-001
Product Specification	PS-5195-003, PS-5195-004, PS-5195-005, PS-5195-007, PS-5273-003, PS-5273-004, RPS-5096-001, RPS-5195-001, RPS-5195-002
Sales Drawing	SD-5195-N

EU RoHS

**ELV and RoHS
Compliant**
**REACH SVHC
Contains SVHC: No**
**Halogen-Free
Status
Not Reviewed**

China RoHS



**Need more information on product
environmental compliance?**

Email productcompliance@molex.com
 For a multiple part number RoHS Certificate of
 Compliance, [click here](#)

Please visit the [Contact Us](#) section for any
 non-product compliance questions.

Search Parts in this Series

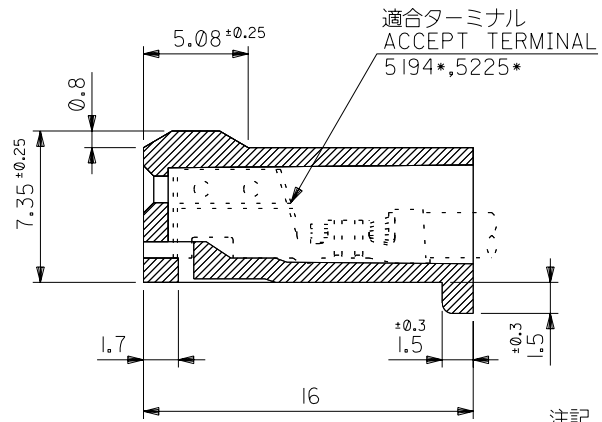
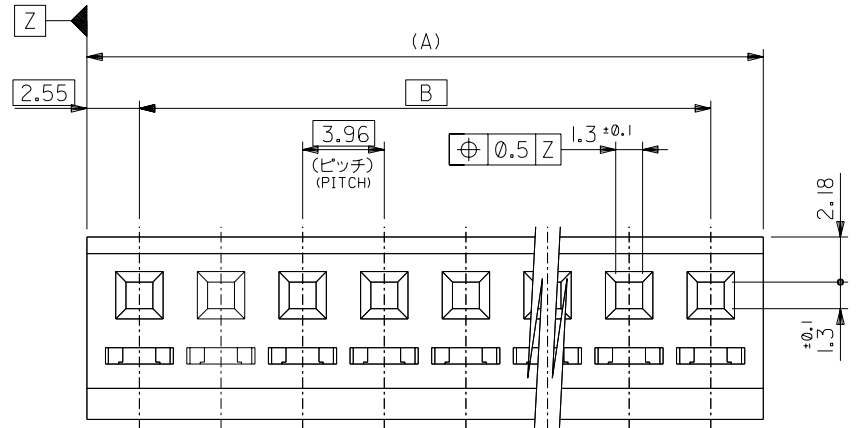
[5195Series](#)

Mates With

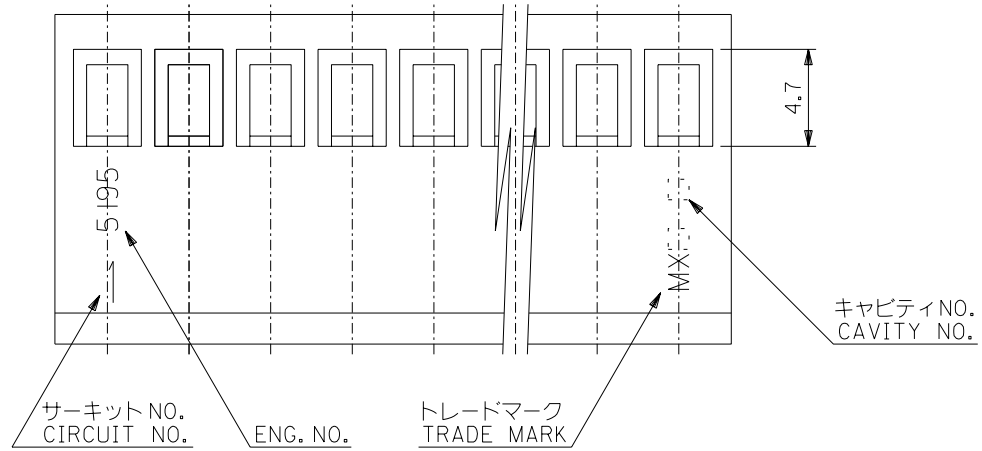
[5272](#) , [5273](#) , [5274](#) right angle PCB header,
[5096](#) , [53405](#) , [5271](#)

Use With

[5194](#) , [5225](#)



- 注記 NOTES
1. 各部の反りは0.5最大。
CAMBER : 0.5 MAX.
 2. サーキットNO.はNO."1"のみ表示。
CIRCUIT NO. : 1 ONLY.



43.56	48.66	09-50-1121	5195-12	12
39.6	44.7	↑ -1111	↑ -11	11
35.64	40.74	-1101	-10	10
31.68	36.78	-1091	-09	9
27.72	32.82	-1081	-08	8
23.76	28.86	-1071	-07	7
19.8	24.9	-1061	-06	6
15.84	20.94	-1051	-05	5
11.88	16.98	-1041	-04	4
7.92	13.02	↓ -1031	↓ -03	3
3.96	9.06	09-50-1021	5195-02	2
B	A	EDP. NO.	ENG. NO.	種数 NO. OF CKTS.

				材料 MATERIAL ナロン66, UL94V-2 色: オフホワイト NYLON66, UL94V-2 COLOR : OFFWHITE		MOLEX-JAPAN CO.,LTD. 日本モレックス株式会社	
				仕上げ FINISH ———		REVISE ONLY ON CAD SYSTEM	
				適用電線範囲 WIRE RANGE ———		TITLE 名称	
				被覆外径 INS. RANGE ———		SPOX 3.96 PITCH RECEPTACLE HOUSING	
角度 ANGLE ±3°				DRAWN BY '96/05/21 M.A		CHK'D BY '96/05/21 M.FUKUSHIMA	
30以上 OVER ±0.3				MASAOKA		DWG. NO.	
10以上 OVER 30未下 UNDER ±0.25				DR. M.F		REV H	
10未下 UNDER ±0.2				J 再作図 (JC70319) REDRAWN		SCALE 4 : 1	
一般公差 GENERAL TOLERANCES				記号 LTR 変更内容 REVISION RECORD		APP'D BY '96/05/21 M.ENOMOTO	
				DR. CHK. 日付 DATE		SD-5195-N	

DIMENSIONS IN METRIC DO NOT SCALE DRAWING

5195-S20