

PLEASE CHECK WWW.MOLEX.COM FOR LATEST PART INFORMATION

Part Number: [0039000286](#)
Status: **Active**
Overview: [kk](#)
Description: 3.96mm (.156") Pitch KK® Crimp Terminal 2478, 18-24 AWG, Reel, Brass, 0.9µm (35µ") Pre-Plated Gold (Au)

Documents:

[Drawing \(PDF\)](#) [RoHS Certificate of Compliance \(PDF\)](#)

General

Product Family	Crimp Terminals
Series	2478
Crimp Quality Equipment	Yes
Overview	kk
Product Name	KK®

Physical

Durability (mating cycles max)	25
Gender	Female
Material - Metal	Brass
Material - Plating Mating	Gold
Material - Plating Termination	Gold
Packaging Type	Reel
Plating min: Mating (µin)	35
Plating min: Mating (µm)	0.90
Plating min: Termination (µin)	35
Plating min: Termination (µm)	0.88
Termination Interface: Style	Crimp or Compression
Wire Insulation Diameter	1.30-2.50mm (.051-.098")
Wire Size AWG	18, 24
Wire Size mm²	0.21 TO 0.82

Material Info

Old Part Number 2478T

Reference - Drawing Numbers

Sales Drawing SD-2478*

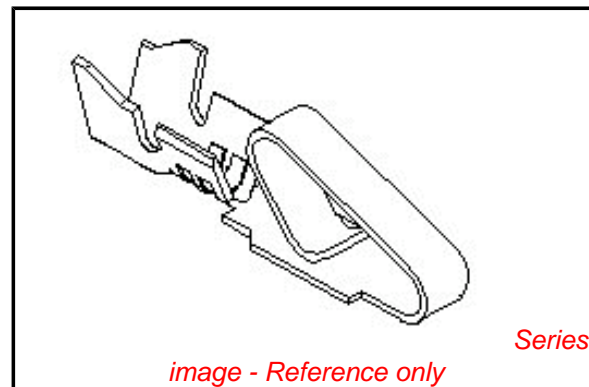


image - Reference only

EU RoHS

ELV and RoHS Compliant
REACH SVHC Contains SVHC: No
Halogen-Free Status

China RoHS



Need more information on product environmental compliance?

Email productcompliance@molex.com
 For a multiple part number RoHS Certificate of Compliance, [click here](#)

Please visit the [Contact Us](#) section for any non-product compliance questions.

Search Parts in this Series

[2478Series](#)

Use With

2574 , 2139 , 41695

Application Tooling | FAQ

Tooling specifications and manuals are found by selecting the products below. Crimp Height Specifications are then contained in the Application Tooling Specification document.

Global

Description	Product #
FineAdjust™ Applicator for KK® and Trifurcon™ Crimp Terminal	0639007200
FineAdjust for Mini-Fit Jr.™ Crimp Terminals Special cut-off tab width for 2478 Series	0639007300

terminals using the
7241 Series IDT
housing only. 2478
Series terminals
are not rated for
USCAR21compliance.
Extraction Tool 0011030016

Japan

Description	Product #
--------------------	------------------

Hand Extraction Tool	<u>0011260059</u>
----------------------	-------------------

Applicator for M211A	<u>0011260092</u>
----------------------	-------------------

Bench Press,
18-28 AWG, for
2479/2579/5167/5168/8993

Crimp Terminal

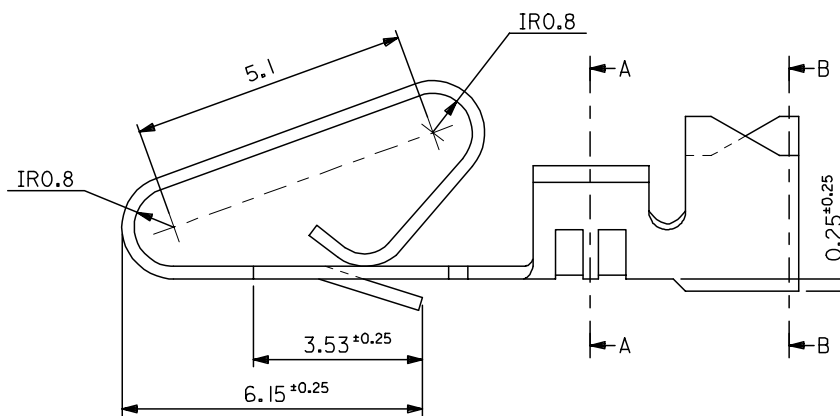
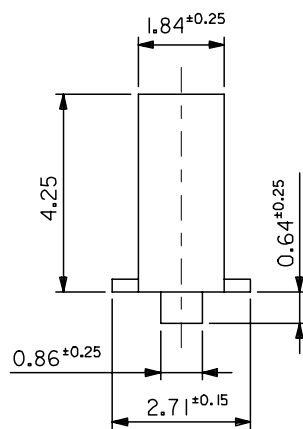
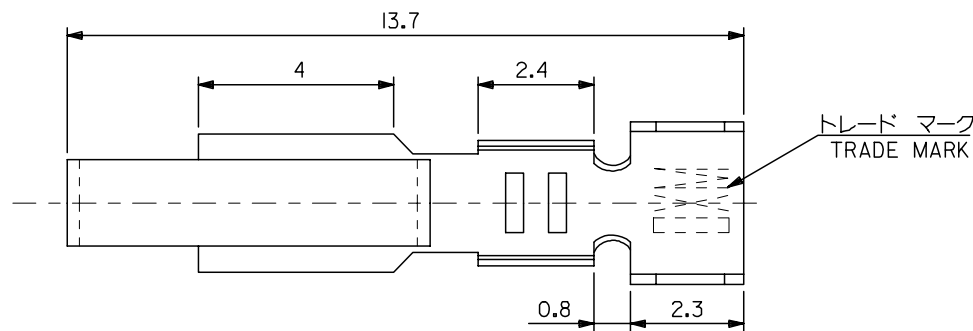
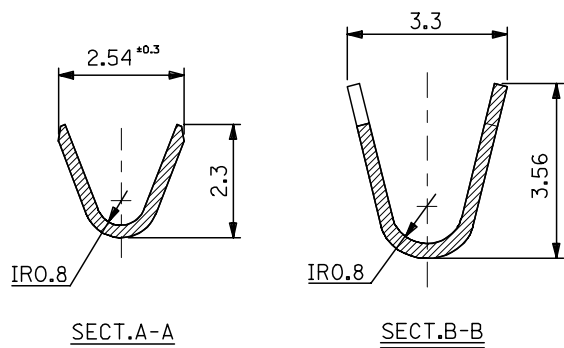
Hand Extraction Tool 0570926000

This document was generated on 06/08/2010

PLEASE CHECK WWW.MOLEX.COM FOR LATEST PART INFORMATION

10 9 8 7 6 5 4 3 2 1

F
E
D
C
B
A



注記 NOTES :
1. 一般公差: ±0.4
GENERAL TOLERANCES: ±0.4

GOLD 0.35μmin OVER NICKEL 24μmin	39000342	2478TL	LOOSE
	39000286	2478T	CHAIN
ニッケル下地 2 μmMIN. 金 0.35 μmMIN. GOLD 0.35 μmMIN. OVER NICKEL 2 μmMIN.	39-00-0344	2478GL	バラ状 LOOSE
	39-00-0343	2478G	チェーン状 CHAIN
メッキ PLATING	EDP NO.	ENG.NO.	形状 FORM

MATERIAL
BRASS t = 0.254

ENTER DESCRIPTION	REV	DESCRIPTION
EC NO: I2007-0519 DRWN: JIYER 2007/07/09 CHKD: DKUMAR 2007/07/11 APPR: DKUMAR 2007/07/18		

QUALITY SYMBOLS	▽=0
	▽C=0

GENERAL TOLERANCES (UNLESS SPECIFIED)	
	ANGULAR ± 3°
PLACES	TOLERANCE
4 PLACES	± 0.2
3 PLACES	± 0.25
2 PLACES	± 0.3
1 PLACE	± 0.01

DIMENSION STYLE	
MM ONLY	
DRAWN BY	DATE
HHASEGAW	1993/04/23
CHECKED BY	DATE
HHIRAMOT	1996/01/30
APPROVED BY	DATE
MFUKUSHI	1996/01/30
MATERIAL NO.	DOCUMENT NO.
	SD-2478*

SCALE	DESIGN UNITS	THIRD ANGLE PROJECTION
10:1	METRIC	☉
TITLE		
STD KK CRIMP REC		
MOLEX INCORPORATED		
SIZE	SHEET NO.	
A3	1 OF 1	

9 8 7 6 5 4 3 2 1

F
E
D
C
B
A

THIS DRAWING CONTAINS INFORMATION THAT IS PROPRIETARY TO MOLEX INCORPORATED AND SHOULD NOT BE USED WITHOUT WRITTEN PERMISSION