

● PROFESSIONAL LED INDICATORS Ø8.1mm Mounting

FEATURES



643 SERIES

PACK QUANTITY = 10 PIECES

- Black anodised aluminium housing
- Short body length is ideal for portable equipment
- Wide viewing angle
- Sealed to IP67
- Suitable for high vibration applications

SPECIFICATION

Ordering Information & Typical Technical Characteristics (Ta = 25°C)

Mean Time Between Failure = 100,000 Hours. Luminous intensity figures refer to the unmodified discrete LED.

PART NUMBER	COLOUR	LENS	VOLTAGE DC (Vdc) Vopr	CURRENT DC (mA) Iopr	LUMINOUS INTENSITY Iv@20mA (mcd)	WAVE LENGTH λp (nm)	OPERATING TEMP Topr	STORAGE TEMP Tstg	
STANDARD INTENSITY									
643-503-04	Red	Colour Diffused	2.0	20	160	627	-40 ~ +85 [^]	-40 ~ +85	Yes
643-509-04	Yellow	Colour Diffused	2.1	20	80	590	-40 ~ +85 [^]	-40 ~ +85	Yes
643-512-04	Green	Colour Diffused	2.2	20	120	565	-40 ~ +85 [^]	-40 ~ +85	Yes
HIGH INTENSITY									
643-501-04	Red	Colour Diffused	2.0	20	11000	643	-40 ~ +95 [^]	-40 ~ +100	Yes
643-521-04	Yellow	Colour Diffused	2.1	20	16000	591	-40 ~ +95 [^]	-40 ~ +100	Yes
643-532-04	Green	Colour Diffused	3.4	20	23000	527	-40 ~ +95 [^]	-40 ~ +100	Yes
643-930-04	Blue	Colour Diffused	3.4	20	7000	470	-40 ~ +95 [^]	-40 ~ +100	Yes
643-997-04	Cool White	Colour Diffused	3.4	20	14000	see below	-40 ~ +95 [^]	-40 ~ +100	Yes
UNITS			Vdc	mA	mcd	nm	°C	°C	



Other voltages AC/DC available. Please contact our Technical Sales.

[^] = Products must be derated according to the derating information. Each derating graph refers to specific LEDs.

Appropriate LED numbers shown - Refer to page 3

997F-C	*Typical emission colour cool white			
x	0.245	0.361	0.356	0.264
y	0.229	0.385	0.351	0.220

Intensities (Iv) and colour shades of white (x,y co-ordinates) may vary between LEDs within a batch.

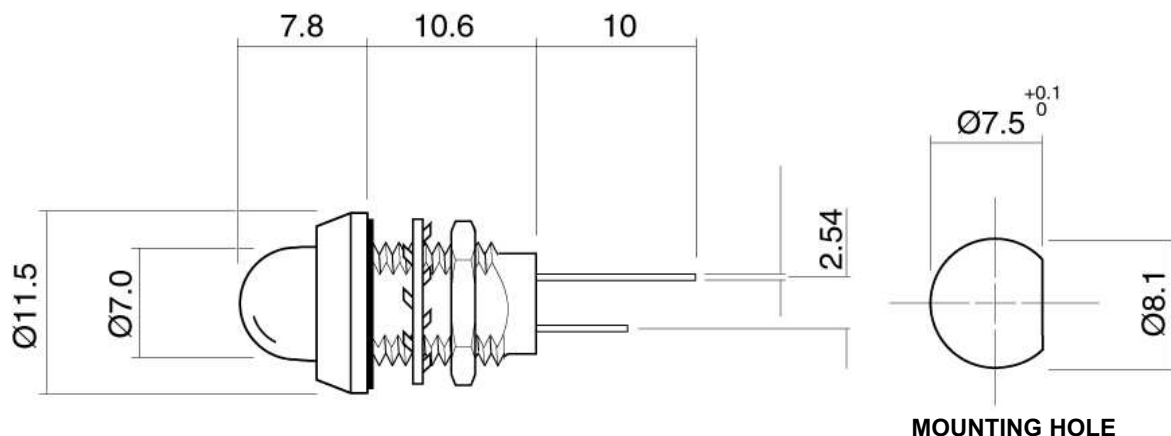
How to Order:

website: www.marl.co.uk • email: sales@marl.co.uk • webstore: www.leds.co.uk

• Telephone +44 (0)1229 582430 • Fax: +44 (0)1229 585155

The information contained in this datasheet does not constitute part of any order or contract and should not be regarded as a representation relating to either products or service. Marl International reserve the right to alter without notice the specification or any conditions of supply for products or service.

643 Series



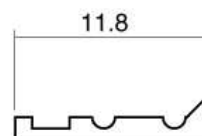
Dimensions in mm (Typical)
Not to scale

Anode termination indicated by long pin.
Mounting hole to be clean and burr free

MATERIALS

PUSH-ON CONNECTORS

Body	Black Anodised Aluminium
Nut	Bright Nickel Plated Brass
Panel Seal	Viton
Fresnel lens	Polycarbonate
Encapsulation	PC5430 resin
Lock Washer	Spring Steel



909-000-00 is brass tin plated.
910-000-00 is tin plated.
For use with 643 series lamps.

Dimensions in mm (Typical)
Not to scale

TECHNICAL CHARACTERISTICS

SERIES	MAXIMUM POWER DISSIPATION	MAXIMUM REVERSE VOLTAGE	PANEL CUTOUT	NUT MOUNTING TORQUE	MINIMUM MOUNTING CENTRES	MIN/MAX. PANEL THICKNESS
643	75	3	8.1	0.6	x,y = 14.5	1.5-5.0
	mW	Vdc	mm	Nm	mm	mm

OPTIONAL FLYING LEAD TERMINATIONS

ORDER CODE SUFFIX	SUPPLY VOLTAGE	WIRE COLOUR	WIRE LENGTH	NO/DIAMETER OF CONDUCTORS	DIAMETER OVER INSULATION	COMMENTS
15	DC Products	Red-anode / Black-cathode	150mm	19/0.15mm	1.2mm	Customised lengths available
19	DC Products	Red-anode / Black-cathode	1000mm			

website: www.marl.co.uk • email: sales@marl.co.uk • webstore: www.leds.co.uk

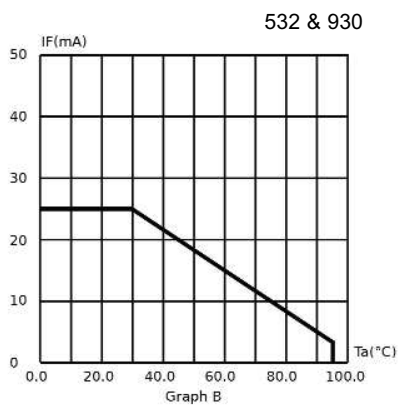
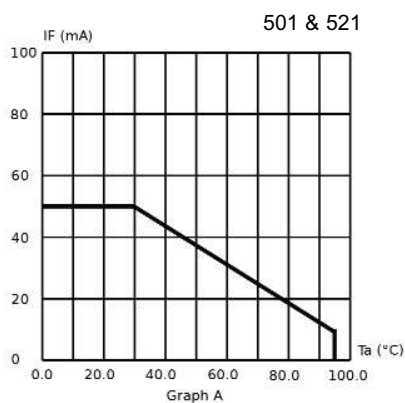
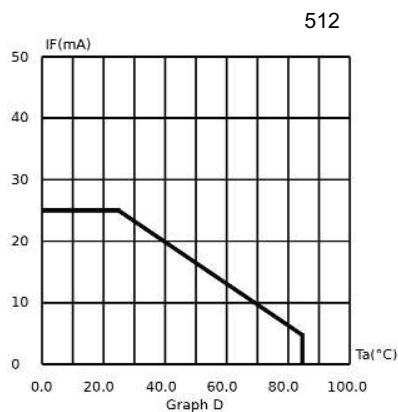
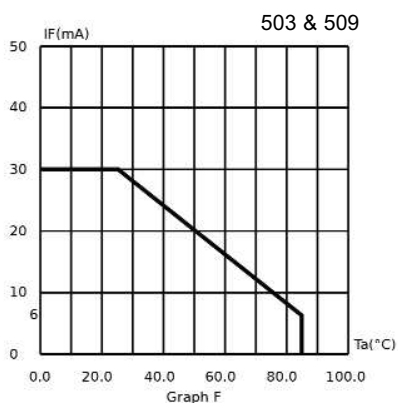
• Telephone +44 (0)1229 582430 • Fax: +44 (0)1229 585155

The information contained in this datasheet does not constitute part of any order or contract and should not be regarded as a representation relating to either products or service. Marl International reserve the right to alter without notice the specification or any conditions of supply for products or service.



BS EN ISO 9001:2000
Approved Manufacturer

Derating Information



How to Order:

website: www.marl.co.uk • email: sales@marl.co.uk • webstore: www.leds.co.uk

• Telephone +44 (0)1229 582430 • Fax: +44 (0)1229 585155

The information contained in this datasheet does not constitute part of any order or contract and should not be regarded as a representation relating to either products or service. Marl International reserve the right to alter without notice the specification or any conditions of supply for products or service.



BS EN ISO 9001:2000
Approved Manufacturer