

PLEASE CHECK WWW.MOLEX.COM FOR LATEST PART INFORMATION

Part Number: [0387206324](#)
Status: **Active**
Description: 9.53mm (.375") Pitch Beau™ PCB Terminal Strip, without Mounting Ends, 24 Circuits

Documents:

[3D Model](#) [Product Specification PS-38710-001 \(PDF\)](#)
[Drawing \(PDF\)](#) [RoHS Certificate of Compliance \(PDF\)](#)

General

| | |
|----------------|-----------------------|
| Product Family | Terminal Blocks |
| Series | 38720 |
| Application | Wire-to-Board |
| Component Type | One Piece |
| Product Name | Fixed Mount Barrier |
| Type | Barrier Strip |

Physical

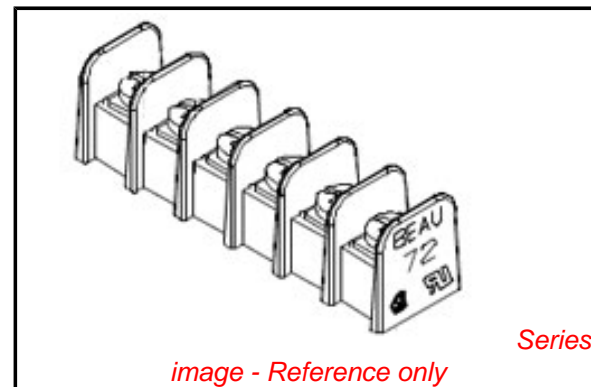
| | |
|--------------------------------|--------------------|
| Circuits (Loaded) | 24 |
| Circuits (maximum) | 24 |
| Color - Resin | Black |
| Entry Angle | Horizontal |
| Lock to Mating Part | None |
| Material - Metal | Brass |
| Material - Plating Mating | Tin |
| Material - Plating Termination | Tin |
| Material - Resin | Polyester |
| Number of Rows | 1 |
| Orientation | Horizontal |
| PC Tail Length (in) | 0.190 In |
| PC Tail Length (mm) | 4.80 mm |
| PCB Retention | None |
| PCB Thickness Recommended (in) | 0.125 In |
| PCB Thickness Recommended (mm) | 3.18 mm |
| Panel Mount | No |
| Pitch - Mating Interface (in) | 0.375 In |
| Pitch - Mating Interface (mm) | 9.53 mm |
| Pitch - Term. Interface (in) | 0.375 In |
| Pitch - Term. Interface (mm) | 9.53 mm |
| Plating min: Mating (µin) | 150 |
| Plating min: Mating (µm) | 3.75 |
| Plating min: Termination (µin) | 150 |
| Plating min: Termination (µm) | 3.75 |
| Polarized to Mating Part | No |
| Shrouded | Dual-Barrier |
| Stackable | No |
| Surface Mount Compatible (SMC) | No |
| Temperature Range - Operating | -40°C to +130°C |
| Wire Size AWG | 14, 16, 18, 20, 22 |
| Wire Size mm² | 0.50 - 1.50 |

Electrical

| | |
|-------------------------------|------|
| Current - Maximum per Contact | 15A |
| Voltage - Maximum | 300V |

Solder Process Data

| | |
|------------------------------|------------------------|
| Lead-free Process Capability | Wave Capable (TH only) |
|------------------------------|------------------------|



EU RoHS

**ELV and RoHS
Compliant**
REACH SVHC
 Not Reviewed
**Halogen-Free
Status**
Not Reviewed

China RoHS



**Need more information on product
environmental compliance?**

Email productcompliance@molex.com
 For a multiple part number RoHS Certificate of
 Compliance, [click here](#)

Please visit the [Contact Us](#) section for any
 non-product compliance questions.

Search Parts in this Series

[38720Series](#)

Mates With

N/A

Material Info

Old Part Number

72524-C

Reference - Drawing Numbers

Product Specification

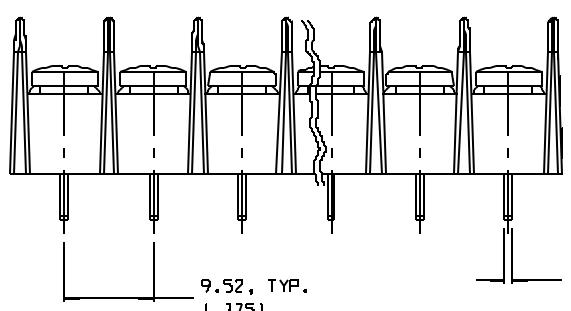
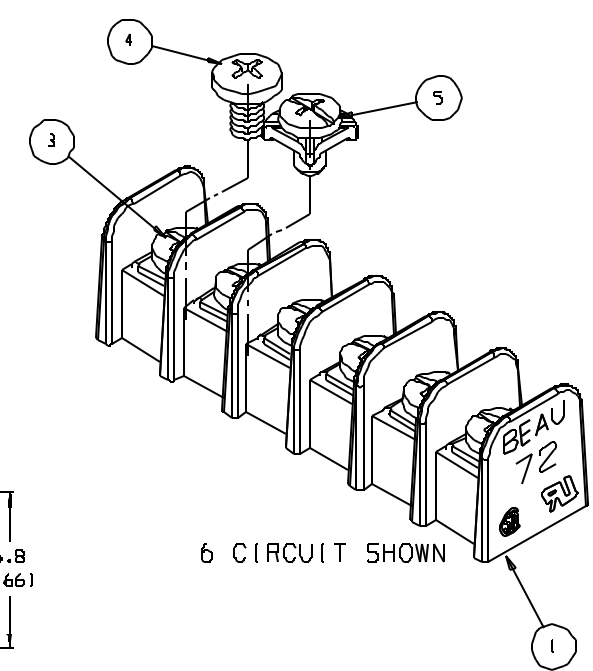
PS-38710-001

Sales Drawing

SD-38720-002

This document was generated on 04/23/2010

PLEASE CHECK WWW.MOLEX.COM FOR LATEST PART INFORMATION



- NOTES:
1. MATERIAL: SEE TABLE
 2. FINISHES: SEE TABLE
 3. PRODUCT SPECIFICATION: UL & CSA CLASS B & C
 4. PACKAGING: NOT REQUIRED
 5. MATES WITH: NONE
 6. "XX" REFERS TO QTY. OF CIRCUITS
 7. INCH DIMS SHOWN IN PARENTHESES (XX)

| ITEM | QTY. | DESCRIPTION | MATERIAL | FINISH |
|------|------|-------------------------------------|---------------|---------------------|
| 6 | XX | #6-32 BHD, PHIL.-SLOTTED SCREW WRD | STEEL | ZINC CLEAR CHROMATE |
| 5 | XX | #6-32 PHIL., SLOTTED SCREW W/WASHER | STEEL | ZINC CLEAR CHROMATE |
| 4 | XX | #6-32 BHD PHIL.-SLOTTED SCREW | BRASS | NICKEL PLATED |
| 3 | XX | #6-32 SCREW PHIL., -SLOTTED | STEEL | ZINC CLEAR CHROMATE |
| 2 | XX | TERMINAL | BRASS | TIN PLATED |
| 1 | 1 | BARRIER | THERMOPLASTIC | BLACK |

| | | | | | | | | | |
|--|--|-----------------|--|---------------|--|--|---------------------------|--------------------|-------------------------|
| EC NO. RELEASED WH (1/1)/03 DRN: CH'K: APPR: | DESCRIPTION MAJOR CRITICAL SPC S | QUALITY SYMBOLS | GENERAL TOLERANCES (UNLESS SPECIFIED) | | SCALE 2:1 | DESIGN UNITS <input type="checkbox"/> mm <input checked="" type="checkbox"/> INCH | THIRD ANGLE PROJECTION | PROJECT NO. | SHEET REV |
| | | | 4 PLACES ±.0015 3 PLACES ±.008 ±.005 2 PLACES ±.13 ±.01 1 PLACE ±.3 | ANGLULAR: ±2° | DRAFT WHERE APPLICABLE MUST REMAIN WITHIN DIMENSIONS | DRAWN BY & DATE W. HOWARD 11/11/03 | CHECKED BY & DATE | APPROVED BY & DATE | CAD FILENAME 725XX-C |
| TITLE: SR, BTS, NO MTG, PC ASSY | | | | | | | MOLEX INCORPORATED | | |
| THIS DRAWING CONTAINS INFORMATION THAT IS PROPRIETARY TO MOLEX INCORPORATED AND SHOULD NOT BE USED WITHOUT WRITTEN PERMISSION. | | | | | | | SIZE B | | |

| MATERIAL NO. (OPT -C, -47) | MATERIAL NO. (OPT -C, -50) | MATERIAL NO. (OPT -C, -49) | MATERIAL NO. (OPT -C) | NUMBER OF CIRCUITS "XX" | DIM. "A" | DIM. "B" |
|-------------------------------|-------------------------------|-------------------------------|--------------------------|----------------------------|---------------|----------------|
| 38720-8102 | 38720-7502 | 38720-6902 | 38720-6302 | 02 | 21.1 (1.83) | 9.53 (1.375) |
| 38720-8103 | 38720-7503 | 38720-6903 | 38720-6303 | 03 | 30.7 (1.211) | 19.05 (1.750) |
| 38720-8104 | 38720-7504 | 38720-6904 | 38720-6304 | 04 | 40.1 (1.581) | 28.58 (1.125) |
| 38720-8105 | 38720-7505 | | 38720-6305 | 05 | 49.8 (1.961) | 38.10 (1.500) |
| 38720-8106 | 38720-7506 | 38720-6906 | 38720-6306 | 06 | 59.2 (2.331) | 47.63 (1.875) |
| | 38720-7507 | 38720-6907 | 38720-6307 | 07 | 68.8 (2.711) | 57.15 (2.250) |
| 38720-8108 | 38720-7508 | 38720-6908 | 38720-6308 | 08 | 78.3 (3.081) | 66.68 (2.625) |
| 38720-8109 | 38720-7509 | 38720-6909 | 38720-6309 | 09 | 87.8 (3.461) | 76.20 (3.000) |
| 38720-8110 | 38720-7510 | 38720-6910 | 38720-6310 | 10 | 97.3 (3.831) | 85.73 (3.375) |
| | 38720-7511 | 38720-6911 | 38720-6311 | 11 | 106.9 (4.211) | 95.25 (3.750) |
| 38720-8112 | 38720-7512 | 38720-6912 | 38720-6312 | 12 | 116.3 (4.581) | 104.78 (4.125) |
| | 38720-7513 | 38720-6913 | 38720-6313 | 13 | 126.0 (4.961) | 114.30 (4.500) |
| 38720-8114 | 38720-7514 | 38720-6914 | 38720-6314 | 14 | 135.3 (5.331) | 123.83 (4.875) |
| | 38720-7515 | 38720-6915 | 38720-6315 | 15 | 145.0 (5.711) | 133.35 (5.250) |
| 38720-8116 | 38720-7516 | 38720-6916 | 38720-6316 | 16 | 154.4 (6.081) | 142.88 (5.625) |
| | 38720-7517 | 38720-6917 | 38720-6317 | 17 | 164.1 (6.461) | 152.40 (6.000) |
| | 38720-7518 | 38720-6918 | 38720-6318 | 18 | 173.5 (6.831) | 161.93 (6.375) |
| | 38720-7519 | | 38720-6319 | 19 | 183.1 (7.211) | 171.45 (6.750) |
| | 38720-7520 | 38720-6920 | 38720-6320 | 20 | 192.5 (7.581) | 180.98 (7.125) |
| | 38720-7521 | | 38720-6321 | 21 | 202.2 (7.961) | 190.50 (7.500) |
| | 38720-7522 | 38720-6922 | 38720-6322 | 22 | 211.6 (8.331) | 200.03 (7.875) |
| | 38720-7523 | | 38720-6323 | 23 | 221.2 (8.711) | 209.55 (8.250) |
| | 38720-7524 | | 38720-6324 | 24 | 230.6 (9.081) | 219.08 (8.625) |
| | 38720-7525 | | 38720-6325 | 25 | 240.3 (9.461) | 228.60 (9.000) |
| | 38720-7526 | | 38720-6326 | 26 | 249.6 (9.831) | 238.13 (9.375) |



| | | | | | | | | |
|---|--|---|----------------------------|--|--|---|------------------------------------|--|
| EC NO. SEE SH1 DRAWN BY: HW CHECKED BY: HW APPROVED BY: HW | DESCRIPTION MAJOR CRITICAL SPEC | GENERAL TOLERANCES UNLESS SPECIFIED | | SCALE: 2:1 | DESIGN UNITS: <input type="checkbox"/> MM <input checked="" type="checkbox"/> INCH | THIRD ANGLE PROJECTION | PROJECT NO.: DIMENSIONS: | SHEET NO.: REV |
| | | 1 PLACES: ±.038 / ±.0015 3 PLACES: ±.038 / ±.005 2 PLACES: ±.13 / ±.01 1 PLACE: ±.13 | ANSULAR: ±2° | DRAFT WHERE APPLICABLE MUST REMAIN WITHIN DIMENSIONS | DRAWN BY & DATE: W. HOWARD 11/11/03 | CHECKED BY & DATE: APPROVED BY & DATE: | TITLE: SR, BTS, NO MTG, PC ASSY | DIMENSIONS: <input checked="" type="checkbox"/> MM <input type="checkbox"/> INCH <input type="checkbox"/> INCH ONLY |
| A | | CAD FILENAME: 725XX-C | MATERIAL NO.: SEE TABLE | DRAWING NO.: SD-38720-002 | SHEET NO.: 2 OF 2 | MOLEX INCORPORATED | | THIS DRAWING CONTAINS INFORMATION THAT IS PROPRIETARY TO MOLEX INCORPORATED AND SHOULD NOT BE USED WITHOUT WRITTEN PERMISSION. |