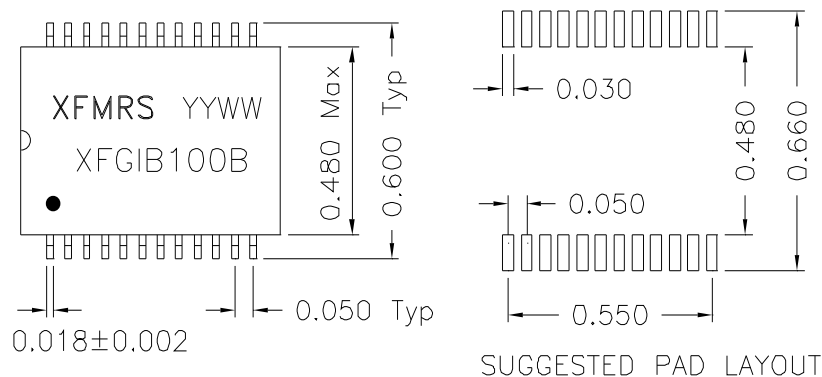
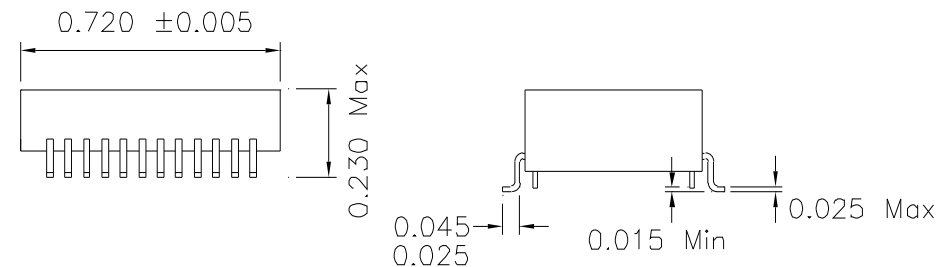
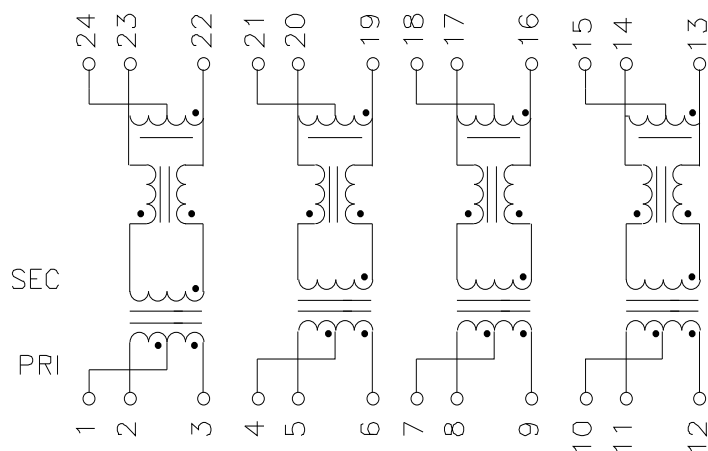


1. Dimensions:



2. Schematic:



DOC. REV: B/1

3. Electrical Specifications: @25°C

ISOLATION: 1500 Vrms

URNS RATIO: (PRI/SEC) 1CT:1CT ±2%

SEC OCL: 350uH MIN @100KHz 100mV 8mADC

Rise Time: 1.75ns Max.

INSERTION LOSS: -1.0dB MAX @1MHz-80MHz

-1.1dB MAX @80-100MHz

-1.5dB MAX @100-125MHz

RETURN LOSS: 18dB Min @1-10MHz

15dB Min @30MHz

12dB Min @80MHz

10dB Min @100MHz

Common to Common Rejection:

-60dB Min @1MHz

-40dB Min @30MHz

-35dB Min @80MHz

-30dB Min @100MHz

CMRR: -30dB Min @1-60MHz

Crosstalk: -40dB Min @1-30MHz

-30dB Min @100MHz

XFMRS Inc UNLESS OTHERWISE SPECIFIED TOLERANCES: .xxx ±0.010 Dimensions in INCH	Title: 1000BASE-T Modules		
	P/N: XFGIB100B		REV. A
	DWN.	JS	Feb-7-99
	CHK.	AEI	Feb-08-99
SCALE 2:1 SHT 1 OF 1	APP.	Joe Huff	Feb-08-99