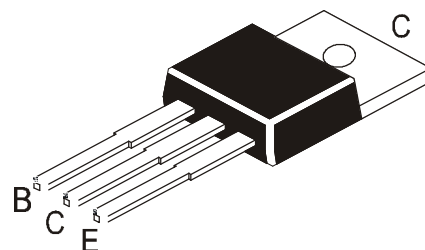


**TO-220 PLASTIC PACKAGE
NPN PLASTIC POWER TRANSISTOR**

Used in Energy Saving Lights and Power Switch Circuits



ABSOLUTE MAXIMUM RATINGS

DESCRIPTION	SYMBOL	VALUE	UNIT
Collector Base Voltage	V_{CBO}	700	V
Collector Emitter Voltage	V_{CEO}	400	V
Emitter Base Voltage	V_{EBO}	9	V
Collector Current Continuous	I_C	4	A
Power Dissipation upto $T_a=25^\circ\text{C}$	P_D	2	W
Power Dissipation upto $T_c=25^\circ\text{C}$	P_D	75	W
Operating And Storage Junction Temperature Range	T_j, T_{stg}	- 55 to +150	$^\circ\text{C}$

ELECTRICAL CHARACTERISTICS ($T_c=25^\circ\text{C}$ unless specified otherwise)

DESCRIPTION	SYMBOL	TEST CONDITION	MIN	TYP	MAX	UNIT
Collector Cut Off Current	I_{CBO}	$V_{CB}=700\text{V}, I_E=0$			0.1	mA
Emitter Cut Off Current	I_{EBO}	$V_{EB}=9\text{V}, I_C=0$			0.1	mA
DC Current Gain	$*h_{FE}$	$I_C=1\text{A}, V_{CE}=5\text{V}$	10		50	
Ratio Between h_{FE1} of Low Current and h_{FE2} of High Current	h_{FE1}/h_{FE2}	$h_{FE1} I_C=5\text{mA}, V_{CE}=5\text{V}$ $h_{FE2} I_C=1\text{A}, V_{CE}=5\text{V}$	0.75			
Collector Emitter Saturation Voltage	$*V_{CE(sat)}$	$I_C=2\text{A}, I_B=0.5\text{A}$			0.6	V
Base Emitter Saturation Voltage	$*V_{BE(sat)}$	$I_C=2\text{A}, I_B=0.5\text{A}$			1.5	V
Transition Frequency	f_T	$V_{CE}=10\text{V}, I_C=500\text{mA}, f=1\text{MHz}$	5			MHz

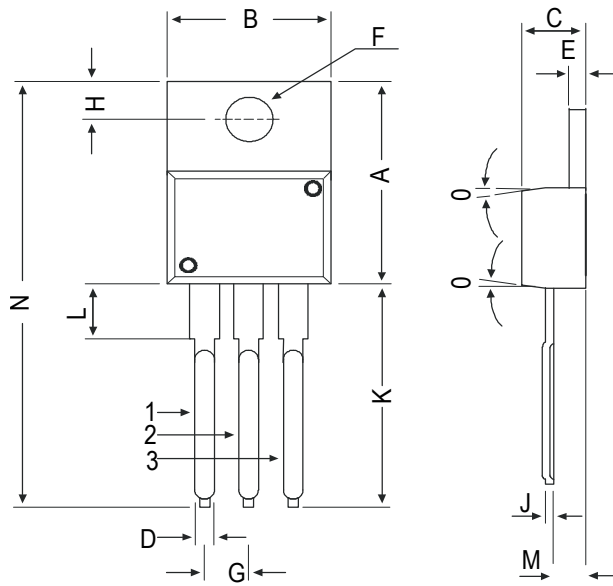
Switching Time

DESCRIPTION	SYMBOL	TEST CONDITION	MIN	TYP	MAX	UNIT
Fall Time	t_f	$I_C=2\text{A}, I_{B1}=-I_{B2}=0.4\text{A}$			0.8	μs
Storage Time	t_s	$V_{CC}=120\text{V}$			3.6	μs

$*h_{FE}$ Classification	A : 10 - 21	B : 20 - 31	C : 30 - 41	E : 40 - 50
Marking	CDL	CDL	CDL	CDL
Product is pre-selected in DC Current	13005	13005	13005	13005
Gain (Groups A to E). RECTRON reserves the right to ship any of the group(s) to customers depending on production availability.	A XX	B XX	C XX	E XX
XX=date code				

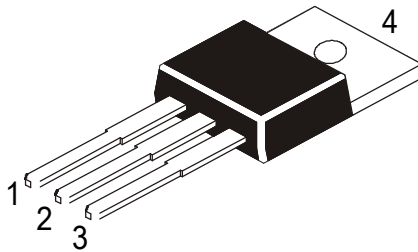
*Pulse Test $t_p \leq 300\text{ms}$, Duty Cycle $\leq 2\%$

TO-220 Plastic Package



DIM	MIN	MAX
A	14.42	16.51
B	9.63	10.67
C	3.56	4.83
D	—	0.90
E	1.15	1.40
F	3.75	3.88
G	2.29	2.79
H	2.54	3.43
J	—	0.56
K	12.70	14.73
L	2.80	4.07
M	2.03	2.92
N	—	31.24
O	7 DEG	

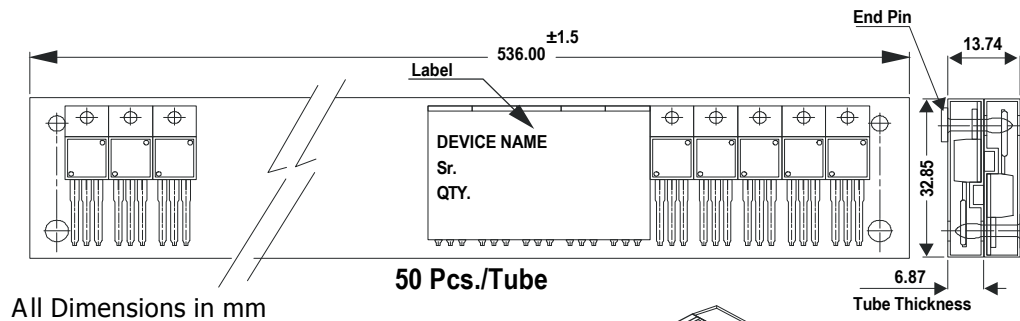
All dimensions in mm.



Pin Configuration

1. Base
2. Collector
3. Emitter
4. Collector

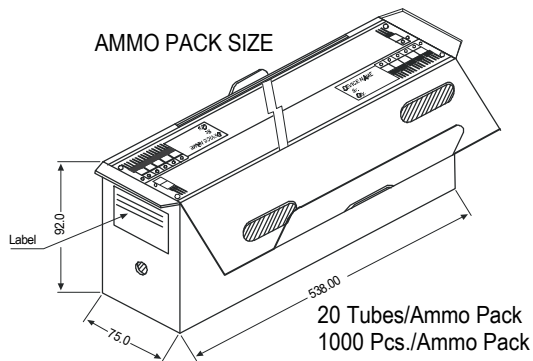
TO-220 Tube Packing



All Dimensions in mm

50 Pcs./Tube

AMMO PACK SIZE



20 Tubes/Ammo Pack
1000 Pcs./Ammo Pack

Packing Detail

PACKAGE	STANDARD PACK		INNER CARTON BOX		OUTER CARTON BOX		
	Details	Net Weight/Qty	Size	Qty	Size	Qty	Gr Wt
TO-220 /FP	200 pcs/polybag	396 gm/200 pcs	3' x 7.5' x 7.5'	1.0K	17' x 15' x 13.5'	16.0K	36 kgs
	50 pcs/tube	120 gm/50 pcs	3.5' x 3.7' x 21.5'	1.0K	19' x 19' x 19'	10.0K	29 kgs

DISCLAIMER NOTICE

Rectron Inc reserves the right to make changes without notice to any product specification herein, to make corrections, modifications, enhancements or other changes. Rectron Inc or anyone on its behalf assumes no responsibility or liability for any errors or inaccuracies. Data sheet specifications and its information contained are intended to provide a product description only. "Typical" parameters which may be included on RECTRON data sheets and/ or specifications can and do vary in different applications and actual performance may vary over time. Rectron Inc does not assume any liability arising out of the application or use of any product or circuit.

Rectron products are not designed, intended or authorized for use in medical, life-saving implant or other applications intended for life-sustaining or other related applications where a failure or malfunction of component or circuitry may directly or indirectly cause injury or threaten a life without expressed written approval of Rectron Inc. Customers using or selling Rectron components for use in such applications do so at their own risk and shall agree to fully indemnify Rectron Inc and its subsidiaries harmless against all claims, damages and expenditures.