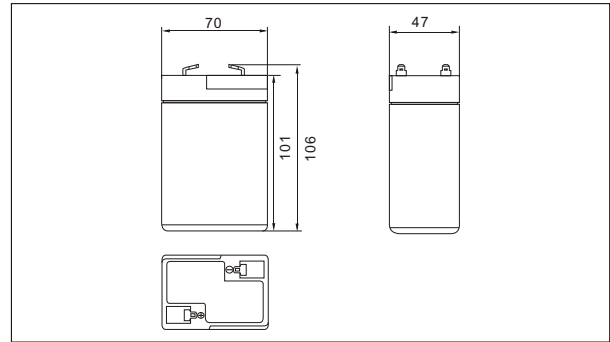




# SW645(6V4.5AH)



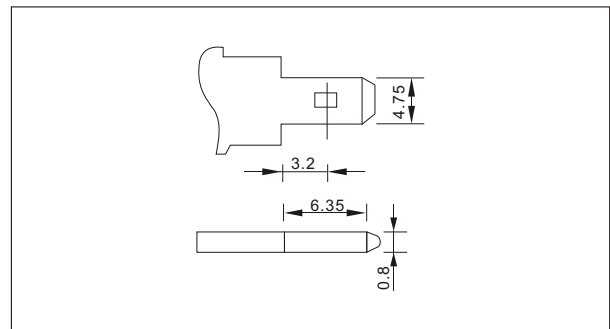
## Outer dimensions (mm)



## Specifications

Nominal Voltage		6 V
Rated capacity (20 hour rate)		4.5 Ah
Dimensions	Total Height	106 mm(4.17 inches)
	Height	101 mm(3.98 inches)
	Length	70 mm(2.76 inches)
	Width	47 mm(1.85 inches)
Weight Approx		0.77Kg(1.69 lbs)

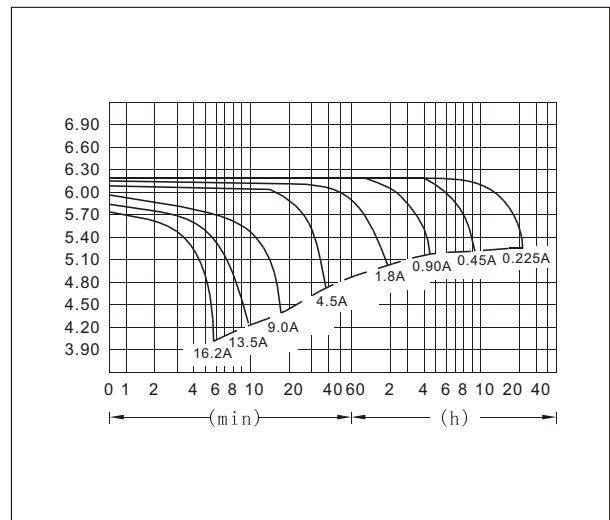
## Terminal Type (mm)



## Characteristics

Capacity 25°C(77°F)	20 hour rate(0.225A)	4.50 AH
	10 hour rate(0.41A)	4.10 AH
	5 hour rate(0.77A)	3.85 AH
	1 hour rate(2.70A)	2.70 AH
	1.5 hour discharge to 5.25 V	1.8 A
Internal Resistance	Full charged Battery at 25°C(77°F)	18 mΩ
Capacity affected by Temperature (20hour rate)	40°C(104°F)	102%
	25°C(77°F)	100%
	0°C(32°F)	85%
	-15°C(5°F)	65%
Self-Discharge at 25°C(77°F)	Capacity after 3 month storage	91%
	Capacity after 6 month storage	82%
	Capacity after 12 month storage	64%
Terminal		T1
Charge (constant Voltage)	Cycle	Initial Charging Current less than 1.8A Voltage 7.20-7.35V
	Float	Voltage 6.75-6.90V

## Discharge Curves 25°C(77°F)



Constant Current(Amp) and Constant Power(Watt) Discharge Table at 25°C(77°F)

Time	5min	10min	15min	30min	1h	2h	3h	4h	5h	8h	10h	20h
4.80V	A	16.2	10.6	7.9	5.2	2.7	1.58	1.16	0.93	0.79	0.52	0.23
	W	84	57	42	27.8	14.6	8.6	6.45	5.23	4.49	2.99	1.35
5.10V	A	14.9	10.2	7.2	4.9	2.5	1.51	1.13	0.90	0.77	0.51	0.23
	W	80	57	41	27.6	14.3	8.7	6.52	5.23	4.51	2.99	1.33
5.25V	A	13.5	9.5	6.8	4.8	2.5	1.48	1.11	0.86	0.77	0.51	0.23
	W	74	54	39	27.4	14.2	8.6	6.44	5.01	4.48	2.98	1.33
5.40V	A	13.0	9.1	6.3	4.6	2.4	1.44	1.09	0.84	0.73	0.49	0.22
	W	73	52	36	26.8	13.8	8.5	6.41	4.96	4.32	2.93	1.30
5.55V	A	12.0	8.6	5.9	4.5	2.3	1.41	1.03	0.82	0.70	0.48	0.21
	W	68	50	34	26.3	13.4	8.3	6.12	4.91	4.17	2.88	1.29