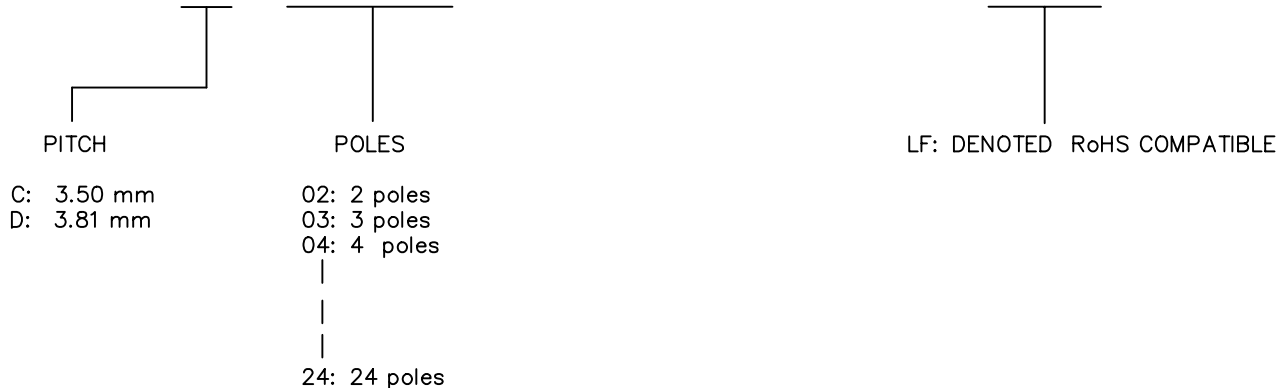




PRODUCT NUMBER
20020004-XXX1B01LF

20020004 - □ □ □ 1 B 0 1 LF



PROPERTY TABLE		
FCI SERIES NAME	01-350	01-381
PITCH (mm)	3.50	3.81
VOLTAGE RATING (VAC)	300	300
CURRENT RATING (A)	10	10
APPLICABLE WIRE RANGE (AWG)	16~26	16~26
WIRE CROSS SECTION (mm*mm)	1.5~0.2	1.5~0.2
WIRE STRIP LENGTH(mm)	6~7	6~7
TORQUE +/- 10% (N-m/Lb-in)	0.23/2.0	0.23/2.0
SCREW	M2x0.4	M2x0.4
WITHSTANDING VOLTAGE (kV)	1.6	1.6
OPERATING TEMP. (°C)	-40~+115	-40~+115
POLES AVAILABLE	02~24	02~24
SAFETY CERTIFICATE		

NOTES:

1. MATERIALS
1-1 HOUSING: THERMALPLASTIC RESIN, UL 94V-0 RATED, COLOR GREEN.
1-2 SCREW: STEEL, ZINC PLATED.
1-3 CLAMP: BRASS, NICKEL PLATED.
1-4 TERMINAL: PHOSPHOROUS BRONZES, TIN PLATED.
2. PRODUCT SPECIFICATION REFER TO FCI GS-12-625.
3. BOXED PACKAGING,
DETAILED PRODUCT PACKING SPECIFICATION REFER TO FCI GS-14-1394.
4. FCI, SAFETY CERTIFICATE LOGO AND SERIES NAME TO BE SHOWN ON PRODUCT SURFACE.
5. THE PRODUCTS WHERE THE PART NUMBER END IN "LF" MEET THE EUROPEAN UNION DIRECTIVE AND OTHER COUNTRY REGULATIONS AS DESCRIBED IN GS-22-008.

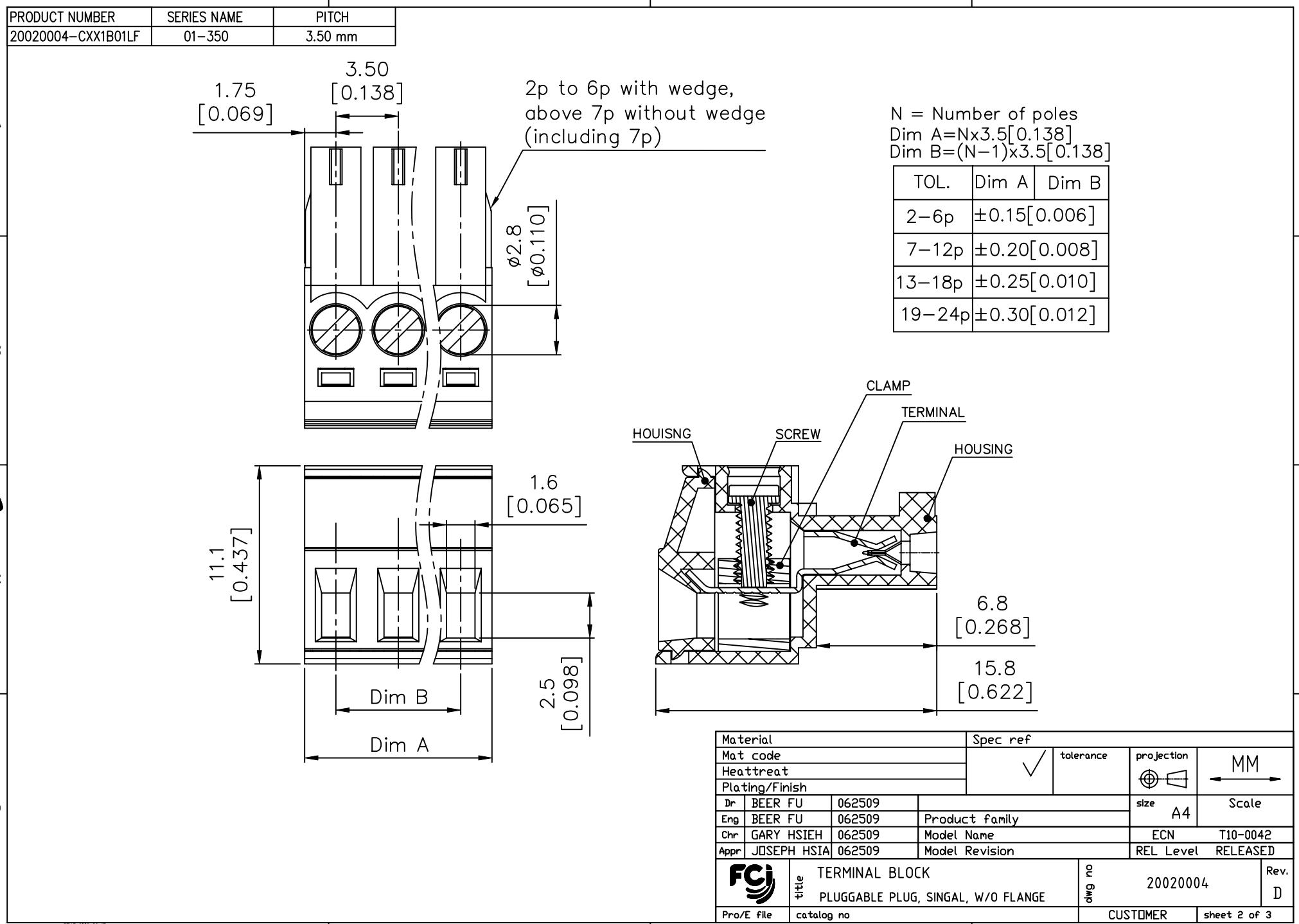
		rev	ecn no	dr	date
TOLERANCES UNLESS OTHERWISE SPECIFIED		A	DG09-0203	BF	062509
		B	T09-1148	BF	111709
		C	T09-1152	BF	112609
		D	T10-0042	WL	030310
LINEAR	X.	±0.5	-	-	-
	X.X	±0.30	-	-	-
	X.XX	±0.10	-	-	-
ANGULAR	X'	±1'	-	-	-

Material		Spec ref	*		
Mat code		✓	tolerance	projection	MM
Heattreat					
Plating/Finish					
Dr	BEER FU 062509		size	A4	Scale
Eng	BEER FU 062509		Product family		
Chr	GARY HSIEH 062509		Model Name		ECN T10-0042
Appr	JOSEPH HSIA 062509		Model Revision		REL Level RELEASED
	title	TERMINAL BLOCK		dwg no	20020004
		PLUGGABLE PLUG, SINGAL, W/O FLANGE		Rev.	D
Pro/E file	catalog no	CUSTOMER		sheet 1 of 3	

FCI CONFIDENTIAL



This document is the property of and embodies CONFIDENTIAL and PROPRIETARY information of FCI. No part of the information shown on this document may be used in any way or disclosed to others without the written consent of FCI. Copyright FCI.



Material		Spec ref		
Mat code		✓	tolerance	projection
Heattreat				MM
Plating/Finish				← MM
Dr	BEER FU 062509		size	A4 Scale
Eng	BEER FU 062509	Product family		
Chr	GARY HSIEH 062509	Model Name		ECN T10-0042
Appr	JOSEPH HSIA 062509	Model Revision		REL Level RELEASED
	title	TERMINAL BLOCK		dwg no
		PLUGGABLE PLUG, SINGAL, W/O FLANGE		20020004
Pro/E file	catalog no	CUSTOMER		Rev. D
		sheet 2 of 3		

REV: 2008-04-17

PDM: Rev:D

STATUS: Released

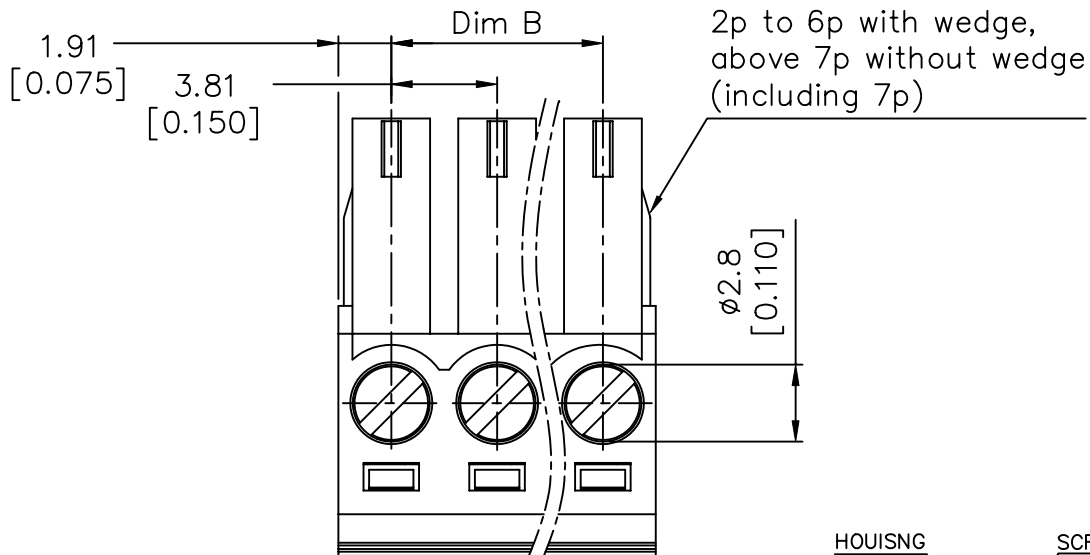
Printed: Jul 21, 2010

FCI CONFIDENTIAL



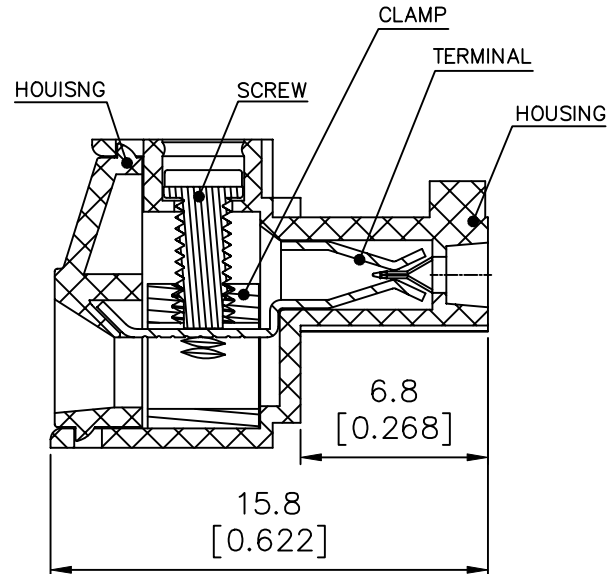
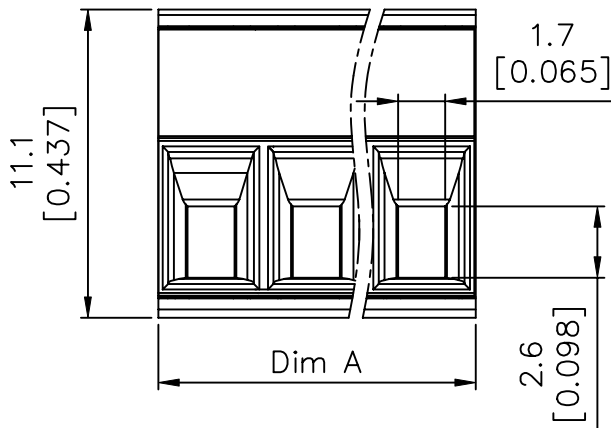
This document is the property of and embodies CONFIDENTIAL and PROPRIETARY information of FCI. No part of the information shown on this document may be used in any way or disclosed to others without the written consent of FCI. Copyright FCI.

PRODUCT NUMBER	SERIES NAME	PITCH
20020004-DXX1B01LF	01-381	3.81 mm



N = Number of poles
 Dim A = $N \times 3.81 [0.150]$
 Dim B = $(N-1) \times 3.81 [0.150]$

TOL.	Dim A	Dim B
2-6p	±0.15 [0.006]	
7-12p	±0.20 [0.008]	
13-18p	±0.25 [0.010]	
19-24p	±0.30 [0.012]	



Material		Spec ref		
Mat code		✓	tolerance	projection
Heattreat				MM
Plating/Finish			⊕	←
Dr	BEER FU 062509		size	A4
Eng	BEER FU 062509	Product family		Scale
Chr	GARY HSIEH 062509	Model Name		ECN T10-0042
Appr	JOSEPH HSIA 062509	Model Revision		REL Level RELEASED
FCI title		TERMINAL BLOCK		Rev. D
PLUGGABLE PLUG, SINGAL, W/O FLANGE		dwg no	20020004	
Pro/E file	catalog no	CUSTOMER		sheet 3 of 3

REV: 2008-04-17