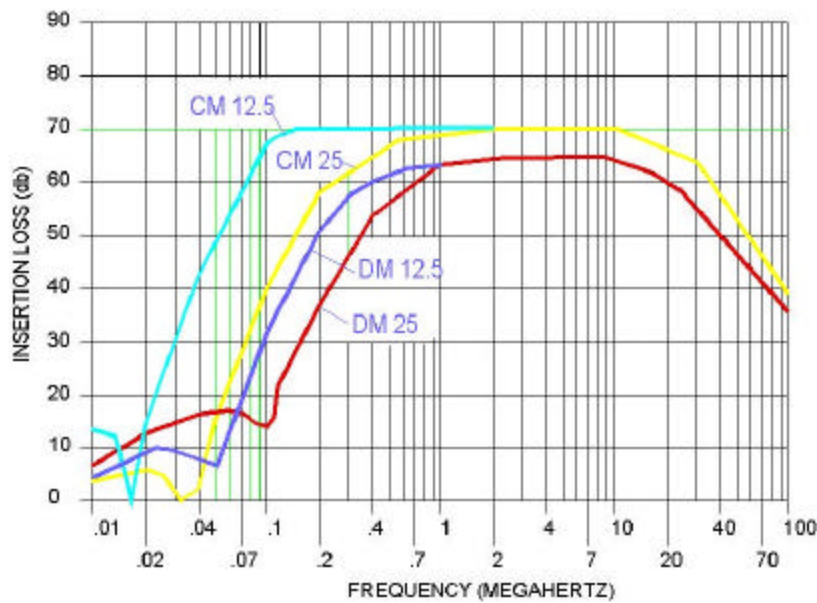
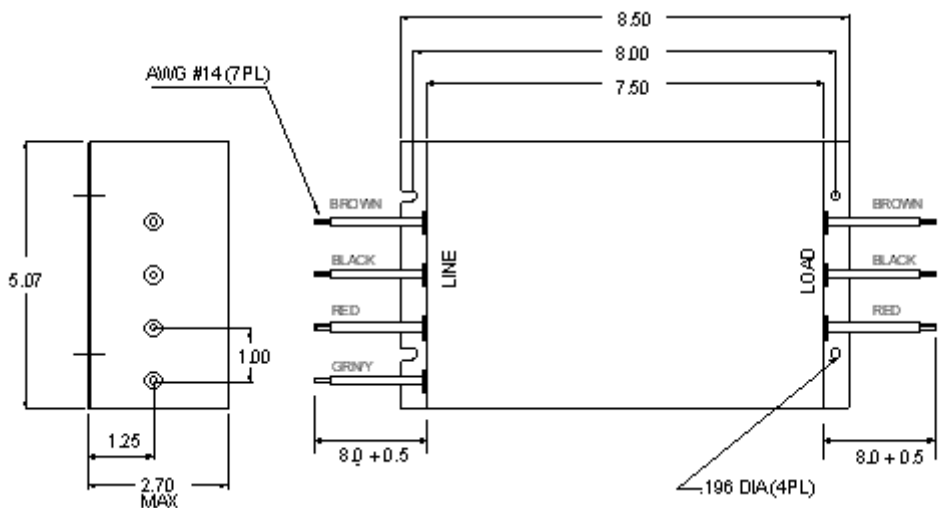
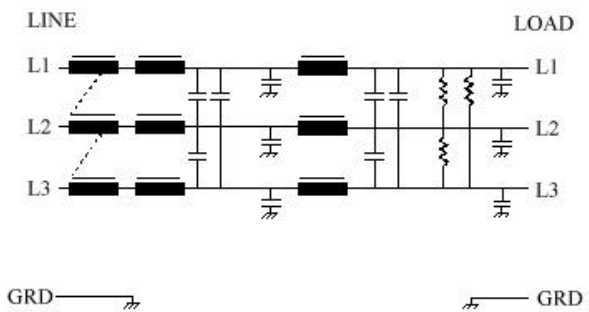




# FF-1153-12.5

Operating Voltage = 250/480 Vac  
 Operating Current Max= 12.5 amps  
 Operating Frequency = 50 - 60Hz  
 Operating Temperature = -40 to +50oC  
 Dielectric Withstand (L to Case)= 1500V~for 1 Min.  
 Dielectric Withstand (L to L)= 1500Vdc for 1 Min.  
 Leakage current @ 250V~60Hz= 2.3 mA at 250Vac, 50Hz  
 Max Residual Voltage after 5 secs =35 Volts Max



The FF-1153-12.5 filter is a three phase delta filter with very good insertion loss starting at 50 KHz. The filter is designed to be used with switching power supplies with severe noise spectrums. It can also be used with PCM motor controls, battery chargers, power conditioners etc. If this configuration is not suitable for you requirements, call our applications department and they will help design something to meet your needs.