

# Features

- Panel Mount Adaptor
- Can be used with RP30, RP40 and RP60
- Screw Terminals
- FFC / EN55022 Class B EMC Filter
- Input Fuse
- Reverse Polarity Protected
- Inrush Current Limiting (Soft Start)
- Trim Potentiometer
- Output LED Indicator
- DIN Rail Mounting Bracket Option

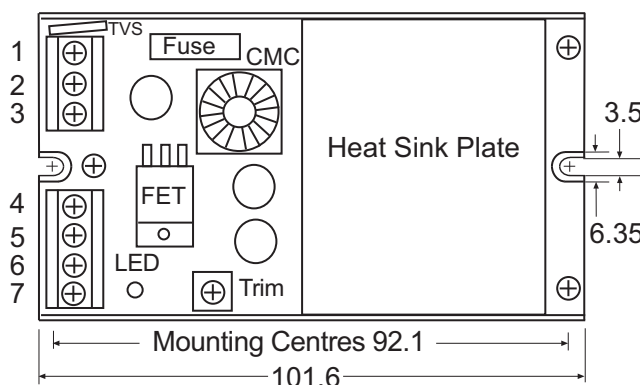
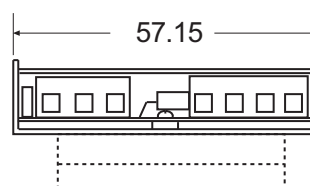
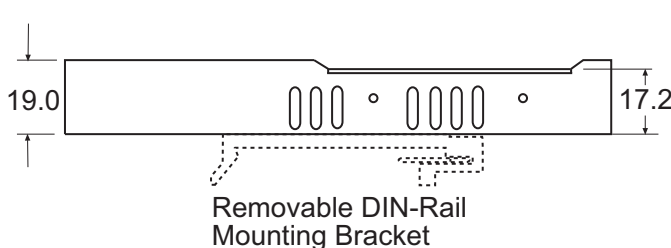
## Description

The Recom Power Module takes a standard 30W-60W converter and mounts it on a PCB with screw terminals, an EMC filter, some input protection circuitry and a built-in heatsink to offer a complete power module that can be mounted on a bulkhead or on a DIN rail with the optional DIN rail fixing bracket. The Power Module is primarily designed for transport applications such as a GPS vehicle tracking power supply or a radio communications power supply, but will also find many uses in industrial, communications or battery-powered applications.

## Selection Guide Single and Dual Outputs

Power Module Part Number	Input Range VDC	Output Power Watts	Input Fuse	Converter Series	Converter Datasheet Page #
RPM30-12xxS_DE*	9.5-18	30	F6A	RP30-12xxS_DE	P53
RPM30-24xxS_DE*	18-36	30	F6A	RP30-24xxS_DE	P53
RPM30-48xxS_DE*	36-75	30	F4A	RP30-48xxS_DE	P53
RPM30-24xxS_DEW*	10-40	30	F6A	RP30-24xxS_DEW	P57
RPM30-48xxS_DEW*	18-75	30	F4A	RP30-48xxS_DEW	P57
RPM40-12xxS_D_TG*	9.5-18	40	F8A	RP40-12xxS_D_TG	P71
RPM40-24xxS_D_TG*	18-36	40	F8A	RP40-24xxS_D_TG	P71
RPM40-48xxS_D_TG*	36-75	40	F4A	RP40-48xxS_D_TG	P71
RPM40-24xxS_DGW*	9.5-36	40	F4A	RP40-24xxS_DGW	P75
RPM40-48xxS_DGW*	18-75	40	F4A </td <td>RP40-48xxS_DGW</td> <td>P75</td>	RP40-48xxS_DGW	P75
RPM60-24xxSG*	18-36	60	F8A	RP60-24xxSG	P79
RPM60-48xxSG*	36-75	60	F4A	RP60-48xxSG	P79

\* add suffix **-DIN** for Optional DIN Rail Mounting Bracket



### Pin Connections

Pin #	Single	Dual	Triple
1	+Vin	+Vin	+Vin
2	-Vin	-Vin	-Vin
3	CTRL	CTRL	CTRL
4	NC	NC	+Aux
5	-Vout	-Vout	COM
6	+Vout	Com	-Aux
7	NC	+Vout	+Vout

Tolerance  $\pm 0.25$  mm

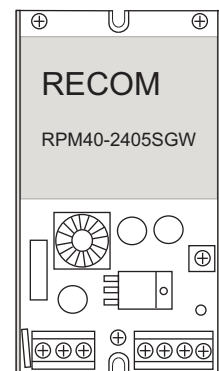
Packing Quantity = 1 Pc

# POWERLINE

DC/DC-Converter  
Power Module



## 30-60 Watt Single, Dual & Triple Output



# Power Modules