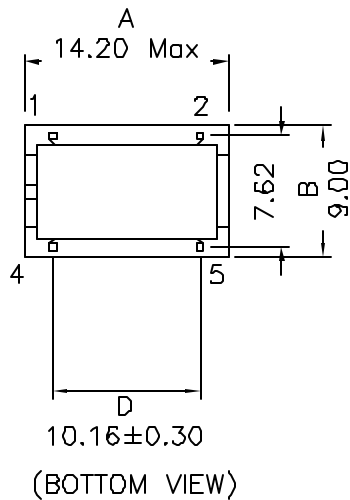
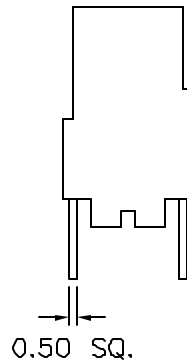
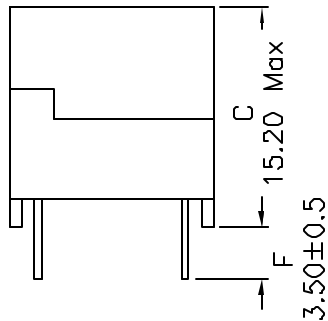
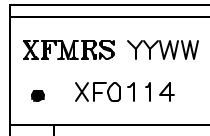
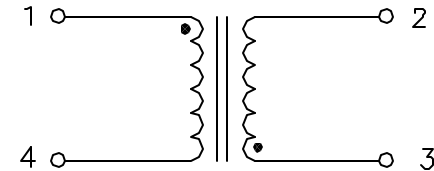


1. Mechanical Dimensions:



2. Schematic:



3. Electrical Specifications: @25°C

OCL: 1.1mH±30% @10KHz 0.1V, Each Wdg

LL: 7.0uH Typ @10KHz 0.1V

DCR: 0.070 Ohms Typ, Each Wdg

Irated: 2.0Arms

Isolation: 1500Vac, Wdg to Wdg, 2Sec

Notes:

- Solderability: Leads shall meet MIL-STD-202, Method 208B for solderability.
- Flammability: UL94V-0
- ASTM oxygen index: > 28%
- Insulation System: Class F 155°C, UL file E151556
- Operating Temperature Range: All listed parameters are to be within tolerance from -40°C to +85°C
- Storage Temperature Range: -55°C to +125°C
- Aqueous wash compatible
- SMD Lead Coplanarity: ±0.004"(0.102mm)
- Moisture Sensitivity: Level 2
- Electrical and mechanical specifications 100% tested
- RoHS Compliant Component

| | | | |
|---|--------------------------|-----------|-----------|
| XFMRS Inc www.XFMRS.com | Title: Common Mode Choke | | |
| UNLESS OTHERWISE SPECIFIED TOLERANCES: .xxx ±0.25 | P/N: XF0114-VPCMC3 | REV. A | |
| | Dimensions in MM | DWN. 廖玉坤 | Oct-18-04 |
| SHEET 1 OF 1 | CHK. 李清儿 | Oct-18-04 | |
| | APP. J Ng | Oct-18-04 | |

DOC. REV A/1