

Specifications

Insulation Resistance: 1,000MΩ min.
 Withstanding Voltage: 500V ACrms for 1 minute
 Contact Resistance: 40mΩ max.
 Current Rating: 0.5A per contact
 Soldering Temp.: Rear socket: 220°C /40 sec.,
 240°C peak

Materials and Finish

Insulator: PBT, glass filled (UL94V-0)
 Contact: Phosphor Bronze
 Plating:- Header:
 Card side - Au 0.3μm over Ni 2.0μm
 Rear side - Au flash over Ni 2.0μm
 Rear Socket:
 Mating side - Au 0.2μm over Ni 1.0μm
 Solder side - Au flash over Ni 1.0μm
 Plate: Stainless Steel
 Side Contact: Phosphor Bronze
 Plating: Au over Ni

Features

- SMT connector makes assembly and rework easier
- Small, light and low profile connector meets all kinds of PC card system requirements
- Various product combinations single or double deck, right or left eject lever, polarization styles, various stand-off heights, fully supports the customer's design needs
- Convenience of PC card removal with push type eject lever



Part Number (Details)

CNS - S T P - A R - 8 3 - A - 1

Series

S = Single Deck

PCB Mounting Style:
 T = Top B = Bottom

Voltage Style:
 P = 3.3V / 5V Card

A = Plastic Lever
 B = Metal Lever
 C = Foldable Lever
 D = 2 Step Lever
 E = Without Ejector

Eject Lever:
 R = Right L = Left

*Height of Stand-off:
 1 = 0mm 4 = 2.2mm 8 = 5.0mm

Nut Insert: 0 = None (on request)
 1 = Header (on request)
 2 = Guide (on request)
 3 = Header / Guide (standard)

Shield Plate: A = None
 B = Top
 C = Bottom
 D = Top / Bottom

Kapton Film: no mark = None
 1 = Top
 2 = Bottom
 3 = Top and Bottom

*Stand-off products 0.0 and 2.2mm are subject to a minimum order quantity of 1,120 pcs.

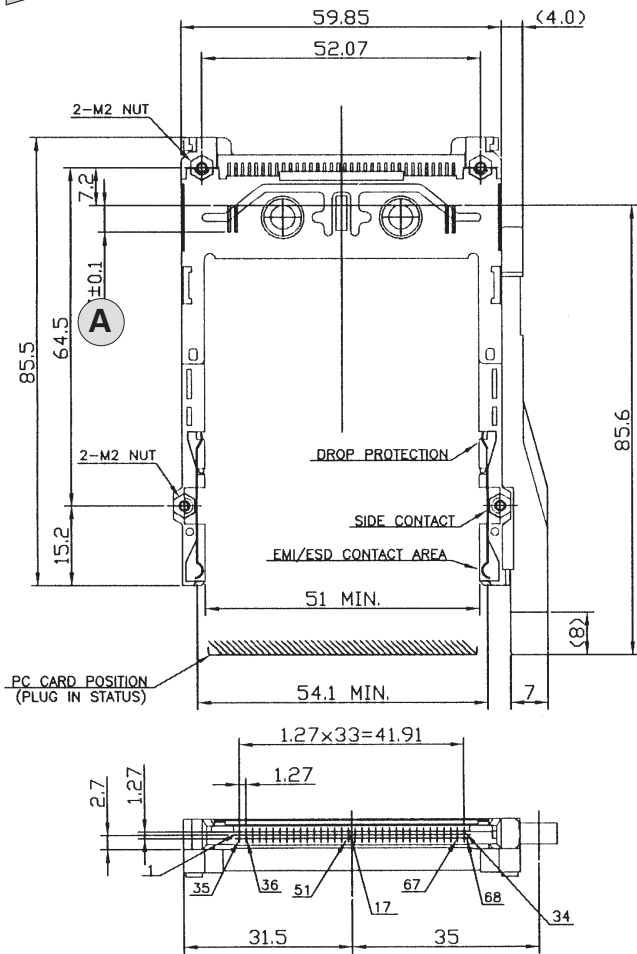
Part Number (Details) for Rear Socket

PCMCIA - 1260 - *

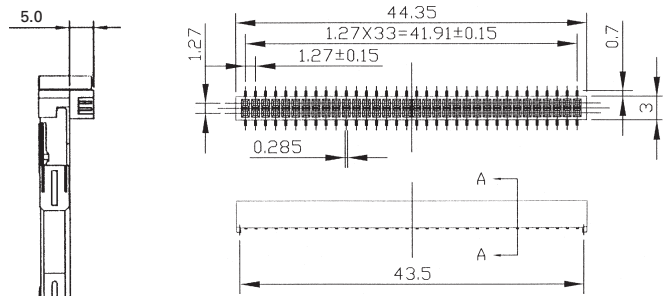
Packing Number

Available Types
 0 = Without Kapton Film (Tray)
 1 = With Kapton Film (Tray)
 9 = With Kapton Film
 (Tape & Reel, 1,500 pcs. per reel)

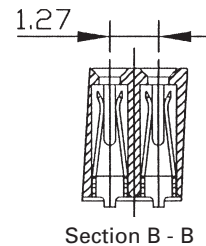
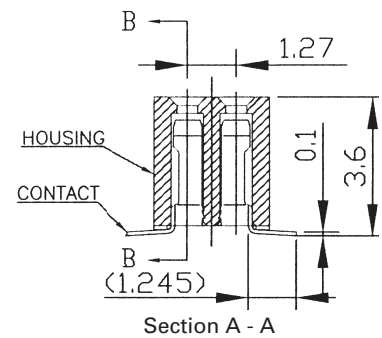
Example: Single Deck SMT Fixing with 5.0mm Stand-off



Rear Socket



Rear Socket Section Details



Contact Dimensions at A	Length
Contacts A1, A17, A34, A35, A51 and A68	5.00 ±0.1
Contacts A36 and A67	3.50 ±0.1
All other contacts	4.25 ±0.1

Example PCB Layout

With Stand-off

Without Stand-off

Top View

Please Note: this hole for stand-off 2.2mm and 5.0mm lies on the center line with the SMD pad

