



Features

- Switching capacity up to 25A
- PC pins and quick connect terminals
- Uses include household appliances
- High inrush capability
- Strong resistance to shock and vibration

Contact Data

Contact Arrangement	1A = SPST N.O.	Contact Resistance	< 50 milliohms initial
Contact Rating	25A @ 250VAC Resistive 25A @ 277VAC General Purpose 1-1/2hp @ 250VAC	Contact Material	AgSnO ₂
		Maximum Switching Power	6380VA
		Maximum Switching Voltage	300VAC
		Maximum Switching Current	25A

Coil Data

Coil Voltage VDC		Coil Resistance Ω +/- 10%	Pick Up Voltage VDC (max)	Release Voltage VDC (min)	Coil Power W	Operate Time ms	Release Time ms
Rated	Max		75% of rated voltage	10% of rated voltage			
5	6.5	.9W	3.75	.25	.90	20	10
6	7.8	28	4.50	.30			
9	11.7	40	6.75	.45			
12	15.6	90	9.00	.60			
24	31.2	160	18.00	1.2			
48	62.4	2560	36.00	2.4			

General Data

Electrical Life @ rated load	100K cycles, typical
Mechanical Life	10M cycles, typical
Insulation Resistance	100M Ω min. @ 500VDC
Dielectric Strength, Coil to Contact	2000V rms min. @ sea level
Contact to Contact	1000V rms min. @ sea level
Shock Resistance	100m/s ² for 11 ms
Vibration Resistance	1.50mm double amplitude 10~40Hz
Terminal (Copper Alloy) Strength	10N
Operating Temperature	-30°C to +55°C
Storage Temperature	-40°C to +85°C
Solderability	260°C for 5 s
Weight	28g

Caution

1. The use of any coil voltage less than the rated coil voltage may compromise the operation of the relay.

Dimensions shown in mm. Dimensions are shown for reference purposes only.

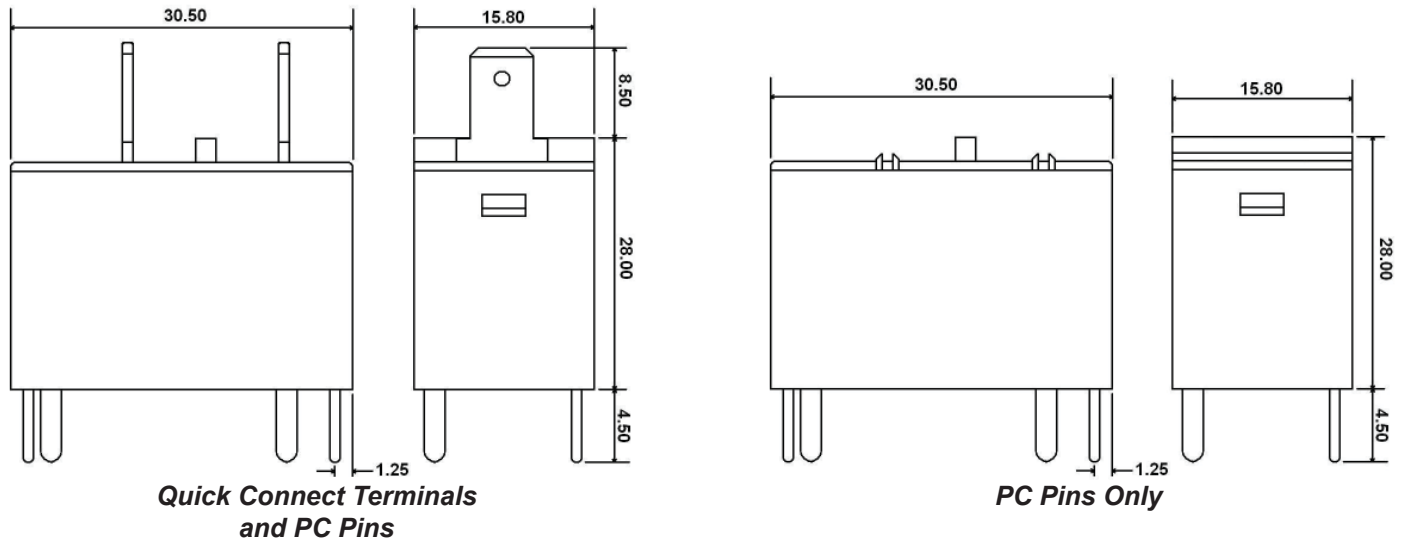
Specifications and availability subject to change without notice.

Ordering Information

1. Series	J119	1A	12VDC
2. Contact Arrangement	1A = SPST N.O.		
3. Terminal Options	Blank = Quick Connect and PC pins P = PC Pins only		
4. Coil Voltage	5VDC 6VDC 9VDC 12VDC 24VDC 48VDC		

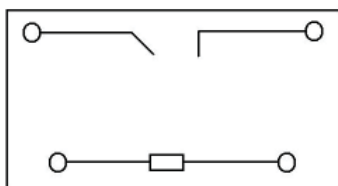
Dimensions

Units = mm

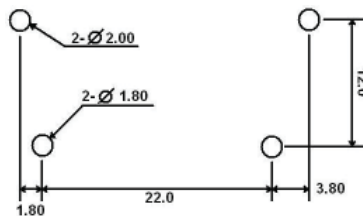


Schematics & PC Layouts

Bottom Views



1A



**** The contacts are connected to the quick connect terminals on top of the relay as well as the PC terminals**

Specifications and availability subject to change without notice.

Dimensions shown in mm. Dimensions are shown for reference purposes only.