

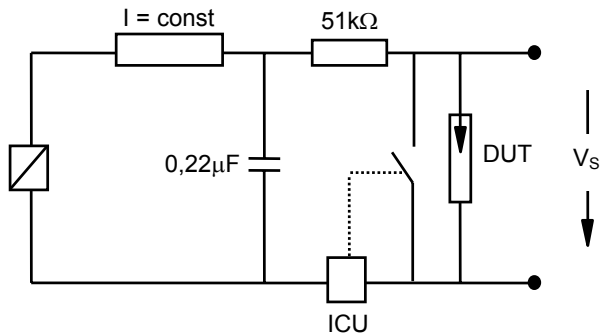
Nominal breakdown voltage V_N	3000	V
Initial values ²⁾		
Static breakdown voltage V_S ¹⁾		
First ignition value $V_{S, FTE}$ after 24 hours in darkness	≤ 3900	V
Following ignition values $V_{S, FIV}$	2550 ... 3540	V
Electrical life time ³⁾		
Breakdown voltage V_B		
First ignition value $V_{B, FTE}$ after 24 hours in darkness	≤ 4200	V
Following ignition values $V_{B, FIV}$	2400 ... 3600	V
Switching operations at 0 ... +100 °C	1 000 000	Ignitions
Test circuit parameters		
Open circuit voltage V_0	4200	V
Loading resistance R	4000	k Ω
Discharge capacitance C	1.5	nF
Inductance L	7.5	μ H
Discharge peak current I_P	50	A
General technical data		
Insulation resistance at 100 V	> 100	M Ω
Early ignition values below 2400 V	≤ 1	%
Breakdown time	≤ 50	ns
Maximum switching frequency	400	Hz
Weight	~ 2	g
Marking, red	EPCOS 3000 YY O 3000 - Nominal voltage YY - Year of production O - Non radioactive	

¹⁾ At delivery AQL 0,65 level II, DIN ISO 2859

²⁾ Page 2, Fig. 1 and 2

³⁾ Page 2, Fig. 3 and 4

Fig. 1: QC- test circuit (100% outgoing inspection)



DUT device under test
 ICU ignition control unit (sensitivity 10 .. 30 μA)
 Discharge current 10 – 20 mA

Fig. 2: Explanation of measurands

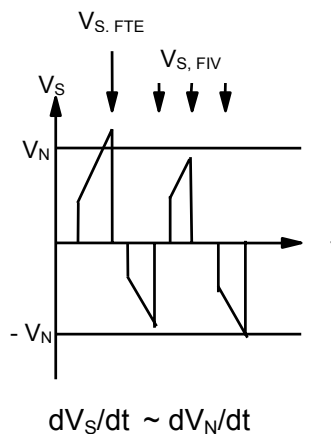


Fig. 3: QC- test circuit (sampling inspection at 25 °C)

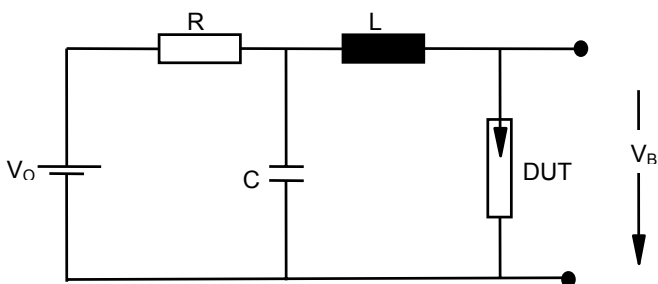
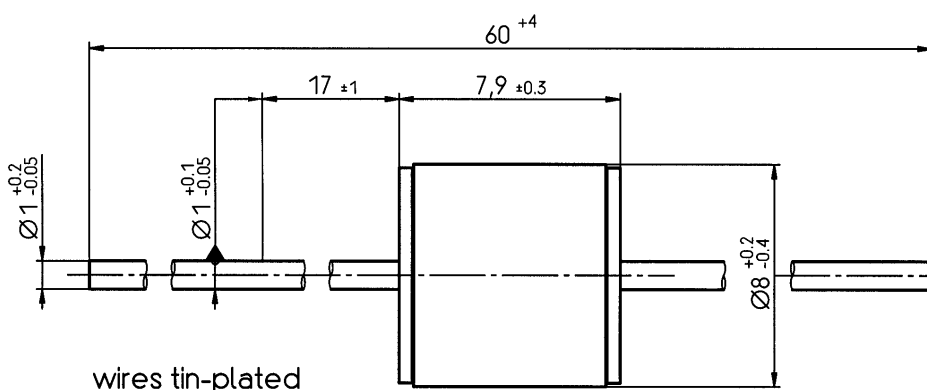
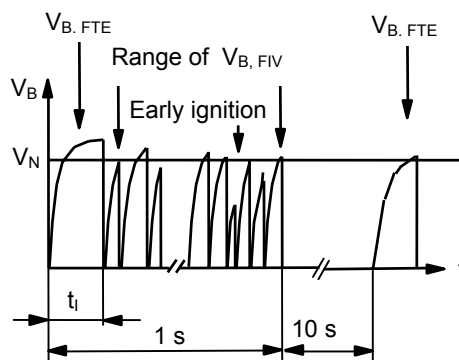


Fig. 4: Explanation of measurands



Not to scale
 Dimensions in mm
 Non controlled document

© EPCOS AG 2002. Reproduction, publication and dissemination of this data sheet, enclosures hereto and the information contained therein without EPCOS' prior express consent is prohibited.

Purchase orders are subject to the General Conditions for the Supply of Products and Services of the Electrical and Electronics Industry recommended by the ZVEI (German Electrical and Electronic Manufacturers' Association), unless otherwise agreed.