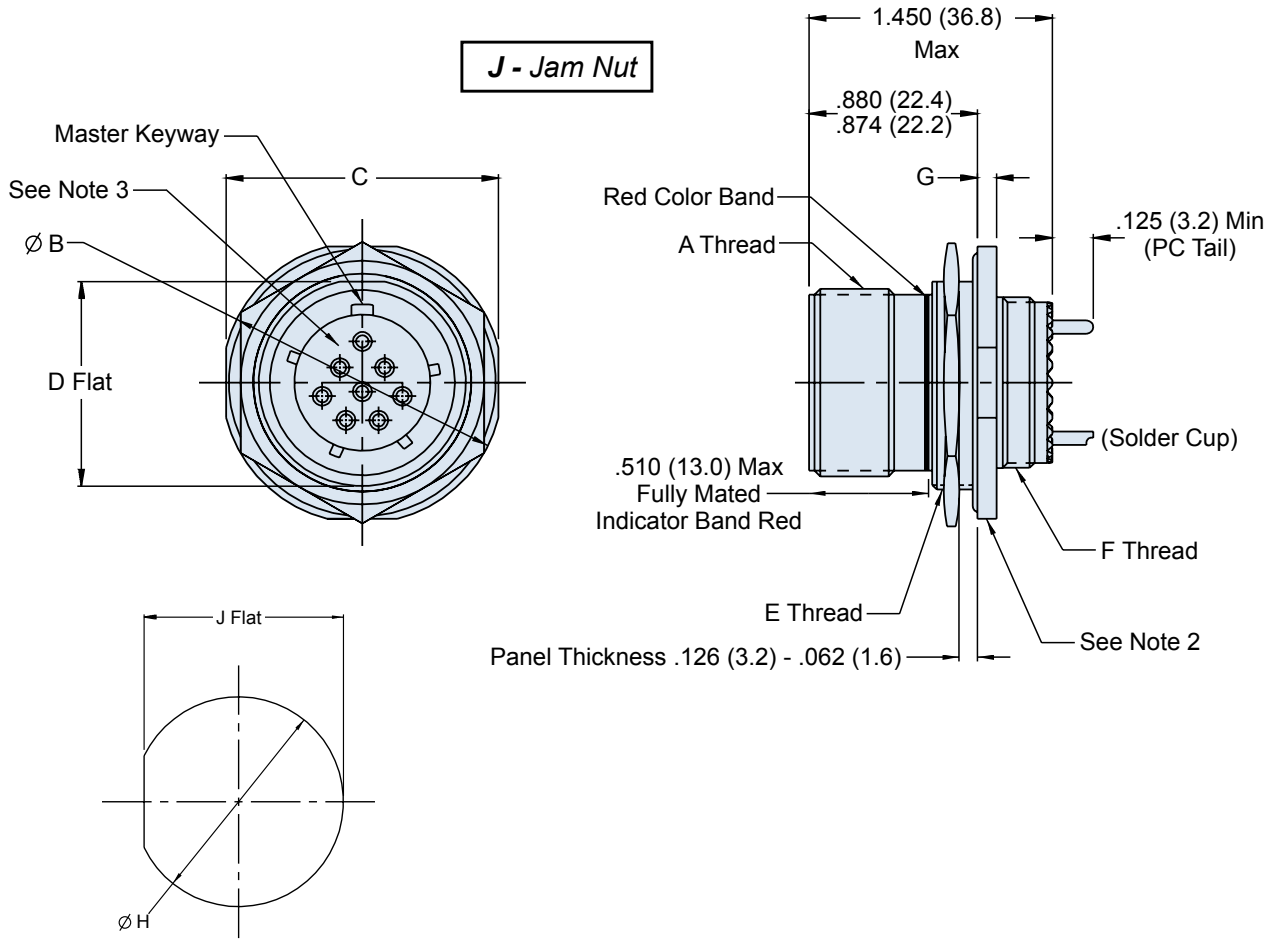
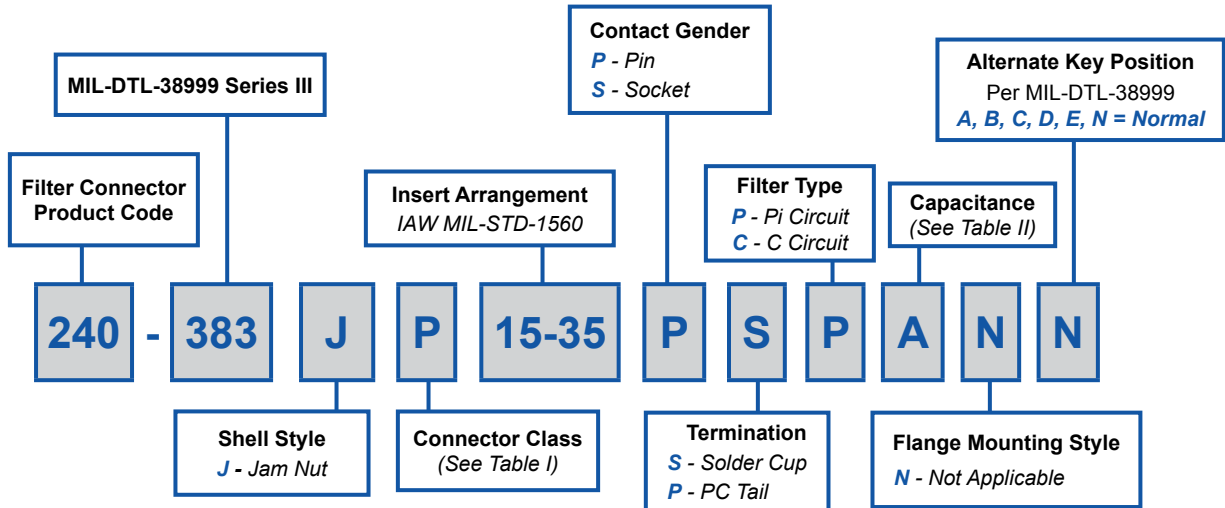




240-383J
MIL-DTL-38999 Series III Filter Connector
Jam Nut Receptacle

B



240-383J
MIL-DTL-38999 Series III Filter Connector
Jam Nut Receptacle



TABLE I: CONNECTOR CLASS

SYM	CLASS	MATERIAL	FINISH DESCRIPTION
M	Environmental	Aluminum	Electroless Nickel
MT	Environmental	Aluminum	Nickel Fluorocarbon Polymer (Ni-PTFE)
NF	Environmental	Aluminum	Cad. O.D. Over Electroless Nickel
P	Environmental	Stainless	Electro-Deposited Nickel
XM	Environmental	Composite	Electroless Nickel
XMT	Environmental	Composite	Nickel Fluorocarbon Polymer (Ni-PTFE)
XW	Environmental	Composite	Cad. O.D. Over Electroless Nickel
ZN	Environmental	Aluminum	Zinc-Nickel Over Electroless Nickel
H2*	Hermetic	Stainless	Electroless Nickel

* Some dimensions do not apply, see sales drawing 240-383JH2

**TABLE II: CAPACITOR ARRAY CODE
CAPACITANCE RANGE**

CLASS	PI - CIRCUIT (pF)	C - CIRCUIT (pF)
X*	160,000 - 240,000	80,000 - 120,000
Y*	80,000 - 120,000	40,000 - 60,000
Z*	60,000 - 90,000	30,000 - 45,000
A	38,000 - 56,000	19,000 - 28,000
B	32,000 - 45,000	16,000 - 22,500
C	18,000 - 33,000	9,000 - 16,500
D	8,000 - 12,000	4,000 - 6,000
E	3,300 - 5,000	1,650 - 2,500
F	800 - 1,300	400 - 650
G	400 - 600	200 - 300

* Reduced DWV – Please consult factory.

**MIL-DTL-38999 Series III
Jam Nut Panel Cutout**

SHELL SIZE CODE	SHELL SIZE	Ø H	J
A	09	.710 (18.0)	.670 (17.0)
		.700 (17.8)	.660 (16.8)
B	11	.835 (21.2)	.771 (19.6)
		.825 (21.0)	.761 (19.3)
C	13	1.020 (25.9)	.955 (24.3)
		1.010 (25.7)	.945 (24.0)
D	15	1.145 (29.1)	1.085 (27.6)
		1.135 (28.8)	1.075 (27.3)
E	17	1.270 (32.3)	1.210 (30.7)
		1.260 (32.0)	1.200 (30.5)
F	19	1.395 (35.4)	1.335 (33.9)
		1.385 (35.2)	1.325 (33.7)
G	21	1.520 (38.6)	1.460 (37.1)
		1.510 (38.4)	1.450 (36.8)
H	23	1.645 (41.8)	1.585 (40.3)
		1.635 (41.5)	1.575 (40.0)
J	25	1.770 (45.0)	1.710 (43.4)
		1.760 (44.7)	1.700 (43.2)

*Consult Factory for
Additional Filter Types,
TVS Diodes, and other
Custom Configurations.*

JAM NUT MOUNT

SHELL SIZE CODE	SHELL SIZE	A THREAD	Ø B	C	D	E THREAD	F THREAD	G
A	09	.6250- .1P- .3L-TS-2A	1.262 (32.1)	1.079 (27.4)	.655 (16.6)	M17 X 1.0-6g 0.100R	M12 X 1.0-6g 0.100R	.122 (3.1)
			1.177 (29.9)	1.047 (26.6)	.645 (16.4)			.083 (2.1)
B	11	.7500- .1P- .3L-TS-2A	1.386 (35.2)	1.268 (32.2)	.755 (19.2)	M20 X 1.0-6g 0.100R	M15 X 1.0-6g 0.100R	.122 (3.1)
			1.362 (34.6)	1.236 (31.4)	.745 (18.9)			.083 (2.1)
C	13	.8750- .1P- .3L-TS-2A	1.512 (38.4)	1.390 (35.3)	.942 (23.9)	M25 X 1.0-6g 0.100R	M18 X 1.0-6g 0.100R	.122 (3.1)
			1.488 (37.8)	1.358 (34.5)	.932 (23.7)			.083 (2.1)
D	15	1.000- .1P- .3L-TS-2A	1.638 (41.6)	1.516 (38.5)	1.068 (27.1)	M28 X 1.0-6g 0.100R	M22 X 1.0-6g 0.100R	.122 (3.1)
			1.614 (41.0)	1.484 (37.7)	1.058 (26.8)			.083 (2.1)
E	17	1.1875- .1P- .3L-TS-2A	1.764 (44.8)	1.642 (41.7)	1.191 (30.3)	M32 X 1.0-6g 0.100R	M25 X 1.0-6g 0.100R	.122 (3.1)
			1.740 (44.2)	1.610 (40.9)	1.181 (30.0)			.083 (2.1)
F	19	1.2500- .1P- .3L-TS-2A	1.949 (49.5)	1.827 (46.4)	1.316 (33.4)	M35 X 1.0-6g 0.100R	M28 X 1.0-6g 0.100R	.154 (3.9)
			1.925 (48.9)	1.795 (45.6)	1.306 (33.2)			.114 (2.9)
G	21	1.3750- .1P- .3L-TS-2A	2.075 (52.7)	1.953 (49.6)	1.441 (36.6)	M38 X 1.0-6g 0.100R	M31 X 1.0-6g 0.100R	.154 (3.9)
			2.051 (52.1)	1.921 (48.8)	1.431 (36.3)			.114 (2.9)
H	23	1.5000- .1P- .3L-TS-2A	2.201 (55.9)	2.079 (52.8)	1.566 (39.8)	M41 X 1.0-6g 0.100R	M34 X 1.0-6g 0.100R	.154 (3.9)
			2.177 (55.3)	2.047 (52.0)	1.556 (39.5)			.114 (2.9)
J	25	1.6250- .1P- .3L-TS-2A	2.323 (59.0)	2.205 (56.0)	1.691 (43.0)	M44 X 1.0-6g 0.100R	M37 X 1.0-6g 0.100R	.154 (3.9)
			2.299 (58.4)	2.173 (55.2)	1.681 (42.7)			.114 (2.9)