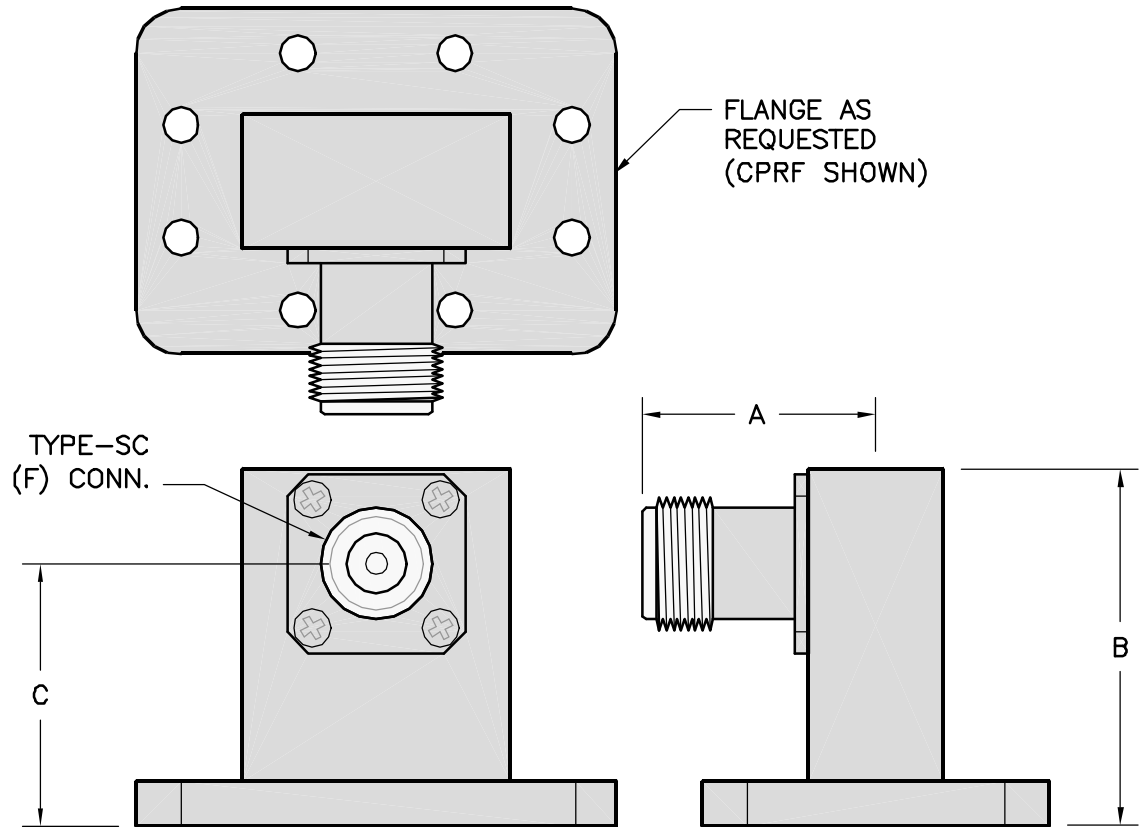


REV. A	AUTH. R.L.	DATE 1/20/03	INITIAL RELEASE	APPROVED
REV. B	AUTH. R.L.	DATE 1/23/03	ADDED ROW TO TABLE FOR WR650	APPROVED
REV. C	AUTH. R.L.	DATE 5/29/03	AMMENDED DIM TABLE: REMOVED ROWS FOR WR62 - WR102	APPROVED



DIMENSIONS IN INCHES			
WG TYPE	A	B	C
WR112	1.25	1.65	1.18
WR137	1.31	2.00	1.47
WR159	1.40	2.33	1.70
WR187	1.44	2.60	1.90
WR229	1.57	2.25	1.35
WR284	1.69	2.50	1.51
WR340	1.87	3.50	2.29
WR430	2.09	4.00	2.30
WR650	2.64	5.00	2.40

MATERIAL	ALUM./COPPER	TREATMENT	-	DRAWN	R. LYNCH	DATE	1/20/03
FINISH	ATM GREY	MOD. NO.	XXX-258-X	CHECKED		DATE	
<b>OUTLINE, WG-COAX ADAPTOR (TYPE-SC)</b>				APPROVED		DATE	
				CAGE CODE: ORBN4		DO NOT SCALE DWG	
ADVANCED TECHNICAL MATERIALS, INC. 49 RIDER AVE., PATCHOGUE N.Y. 11772 TEL: (631) 289-0363 FAX: (631) 289-0358 <a href="http://www.atmmicrowave.com">http://www.atmmicrowave.com</a>				UNLESS OTHERWISE NOTED DIMENSIONS ARE IN INCHES TOLERANCES ARE:		FRACTIONS ±1/64 DECIMALS ±.01 ANGLES ±1/2° ±.005	SHEET. <b>1/1</b>
				PROPRIETARY NOTICE: THE INFORMATION IN THIS DRAWING IS PROPRIETARY AND SHALL NOT BE USED OR DISCLOSED WITHOUT THE PRIOR WRITTEN CONSENT OF ATM, INC.		SCALE <b>NONE</b>	DWG. NO. <b>3524W</b>
						REV. <b>C</b>	