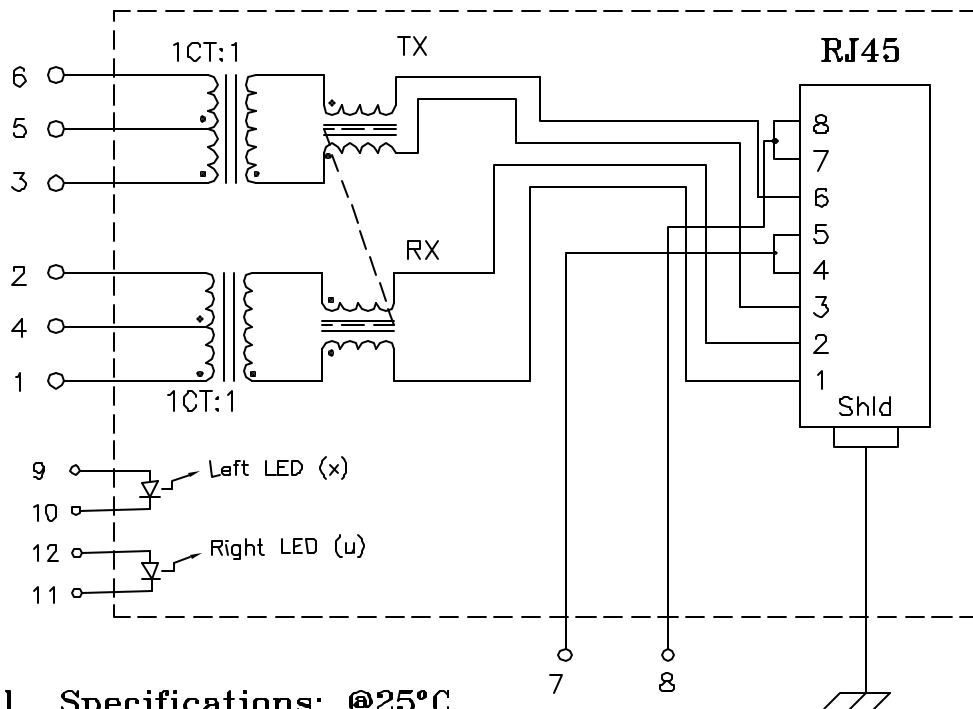


Schematic:



Electrical Specifications: @25°C

Isolation Voltage: 2250 Vdc (Input to Output)
 Isolation Voltage: 500 Vrms (P1+2+4 to P3+5+6)
 Turns Ratio: TX 1CT:1 ±3% RX 1CT:1 ±3%
 OCL: J3-6 and J1-2 350uH Min @100KHz, 0.1V, 8mA dc
 Insertion Loss: -1.0dB Max @1-100 MHz
 Return Loss: 2-30MHz 40MHz 50MHz 60-80MHz
 -18dB -17dB -14.5dB -12dB (Min)
 Differential to Common Mode Rejection:

	1-30MHz	60MHz	100MHz
	-42dB	-37dB	-33dB (Min)
Cross Talk:	30MHz	60MHz	100MHz
	-43dB	-37dB	-33dB (Min)

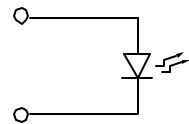
DC Current: 350mA

Complete the Combo P/N as follows:

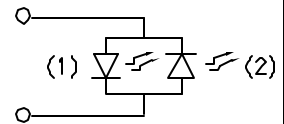
Replace 'x' & 'u' in the part number with one of the LED color letters:

Y=Yellow 'x' = Left LED Color
 G=Green 'u' = Right LED Color
 A=Amber
 R=Red
 N=Yellow(1)/Green(2) Bicolor
 M=Green(1)/Yellow(2) Bicolor

Single Color LED:



Bi-Color LED:



Notes:

1. Solderability: Leads shall meet MIL-STD-202, Method 208D for solderability.
2. Flammability: UL94V-0
3. ASTM oxygen index: > 28%
4. Temperature rating: 155°C. UL file E151556
5. Operating Temperature Range: All listed parameters are to be within tolerance from -40°C to +85°C

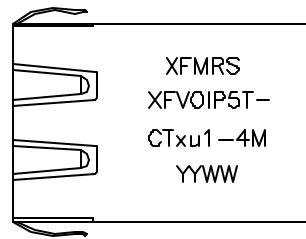
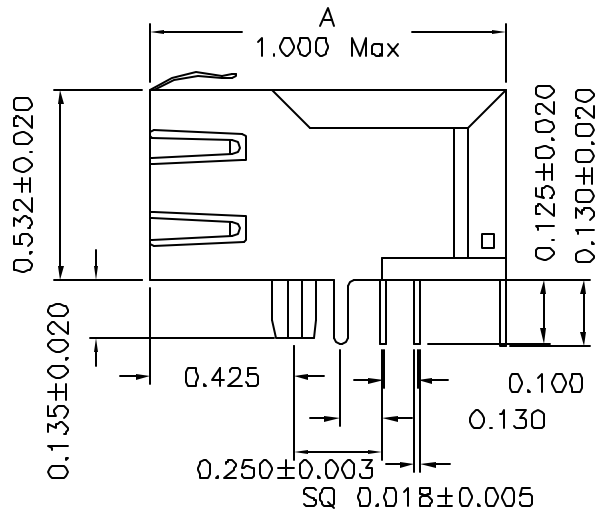
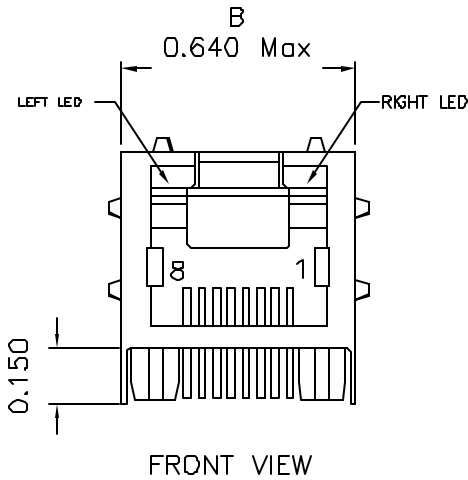
DOC. REV: A/2

XFMRs Inc.	Title: SINGLE PORT COMBO		
UNLESS OTHERWISE SPECIFIED	P/N: XFVOIP5T-CTxu1-4M	REV. A	
TOLERANCES: .xxx ±0.010	DWN.	Kang Chen	Apr-05-04
Dimensions in Inch	CHK.	YK Liao	Apr-05-04
SHEET 1 OF 2	APP.	BW	Apr-05-04

PROPRIETARY:

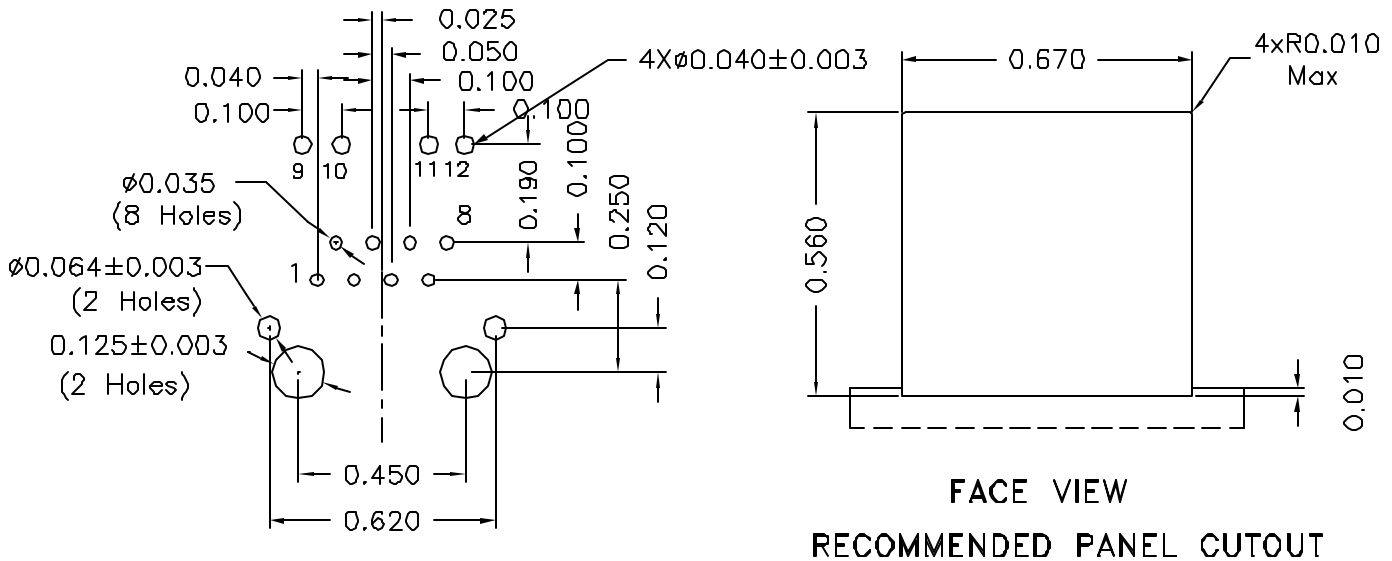
Document is the property of XFMRs Group & is not allowed to be duplicated without authorization.

Mechanical Dimensions:



TOP VIEW

Mounting Pattern:



DOC REV: A/2

XFMRS Inc.	Title: Mechanical Dimensions For TAB UB RJ45 COMBO		
	UNLESS OTHERWISE SPECIFIED TOLERANCES: .xxx ± 0.010 Dimensions in Inch	P/N: XFVOIP5T-CTxu1-4M	REV. A
	DWN.	Kang Chen	Apr-05-04
	CHK.	YK Liao	Apr-05-04
SHEET 2 OF 2	APP.	BW	Apr-05-04

PROPRIETARY:

Document is the property of XFMRS Group & is not allowed to be duplicated without authorization.