



CHENMKO ENTERPRISE CO.,LTD

Lead free devices

PHOTOFLASH RECTIFIER

VOLTAGE RANGE 1000 - 1800 Volts CURRENT 1.0 Ampere

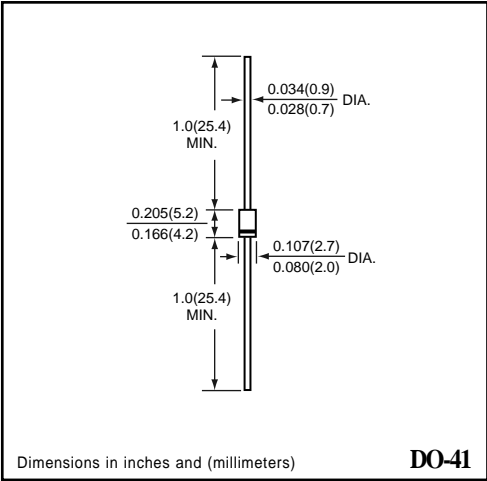
**PR1000PT
THRU
PR1800PT**

FEATURES

- * Fast switching
- * Low leakage
- * Low forward voltage drop
- * High current capability
- * High surge capability
- * High reliability

MECHANICAL DATA

Case: JEDEC DO-41 molded plastic body
Terminals: Plated axial leads, solderable per MIL-STD-750, Method 2026
Polarity: Color band denotes cathode end
Mounting Position: Any
Weight: 0.35 gram



MAXIMUM RATINGS AND ELECTRICAL CHARACTERISTICS

Ratings at 25°C ambient temperature unless otherwise specified.
 Single phase, half wave, 60 Hz, resistive or inductive load.
 For capacitive load, derate current by 20%.

MAXIMUM RATINGS (At TA = 25°C unless otherwise noted)

RATINGS	SYMBOL	PR1000PT	PR1200PT	PR1400PT	PR1600PT	PR1800PT	UNITS
Maximum Recurrent Peak Reverse Voltage	VRRM	1000	1200	1400	1600	1800	Volts
Maximum RMS Voltage	VRMS	700	840	980	1120	1260	Volts
Maximum DC Blocking Voltage	Vdc	1000	1200	1400	1600	1800	Volts
Maximum Average Forward Rectified Current at TA = 55°C	Io	1.0					Amps
Peak Forward Surge Current 8.3 ms single half sine-wave superimposed on rated load (JEDEC method)	IFSM	20					Amps
Typical Junction Capacitance (Note 1)	CJ	10					pF
Operating and Storage Temperature Range	TJ,TSTG	-65 to +175					°C

ELECTRICAL CHARACTERISTICS (At TA = 25°C unless otherwise noted)

CHARACTERISTICS	SYMBOL	PR1000PT	PR1200PT	PR1400PT	PR1600PT	PR1800PT	UNITS
Maximum Instantaneous Forward Voltage at 1.0 A DC	VF	1.5					Volts
Maximum DC Reverse Current at Rated DC Blocking Voltage at TA = 25°C	IR	5.0					uAmps
Maximum Full Load Reverse Current Average, Full Cycle 0.375" (9.5mm) lead length at TL = 55°C		100					uAmps
Maximum Reverse Recovery Time (Note 2)	trr	300					nSec

NOTES : 1. Measured at 1.0 MHz and applied reverse voltage of 4.0 volts
 2. Test Conditions : IF = 0.5 A, IR = -1.0 A, IRR = -0.25 A

RATING CHARACTERISTIC CURVES (PR1000PT THRU PR1800PT)

FIG. 1 - TEST CIRCUIT DIAGRAM AND REVERSE RECOVERY TIME CHARACTERISTIC

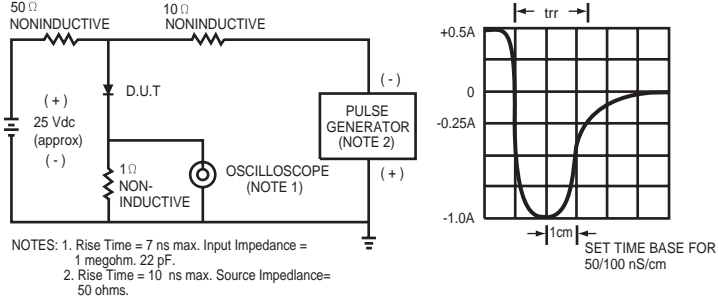


FIG. 2 - TYPICAL FORWARD CURRENT DERATING CURVE

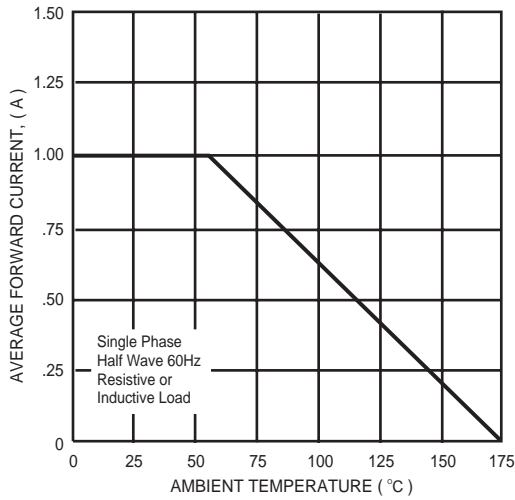


FIG. 3 - TYPICAL INSTANTANEOUS FORWARD CHARACTERISTICS

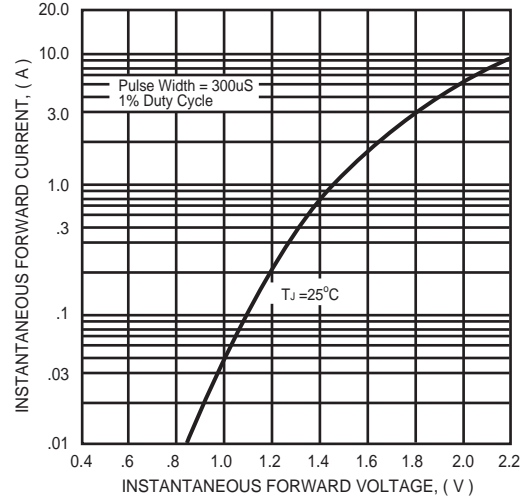


FIG. 4 - MAXIMUM NON-REPETITIVE FORWARD SURGE CURRENT

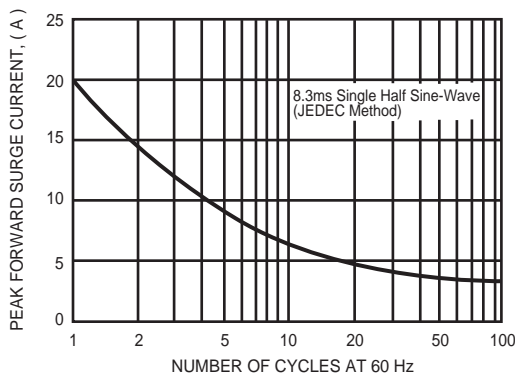


FIG. 5 - TYPICAL JUNCTION CAPACITANCE

