

# 0.635mm Pitch Stacking Shielded Connector

## DFM Series



### OUTLINE

DFM series is 80 contacts stacking connector which has 0.635mm pitch contact with EMI shield.  
SMT mount (Vertical Connection)



### FEATURES

1. Stacking Height 16mm and 20mm types are available.
2. Prevent Mismatching
3. Canti-lever contact design
4. Lead free and RoHS compliant

### SPECIFICATIONS

|                                 |                                 |
|---------------------------------|---------------------------------|
| Rated Voltage                   | 50V AC (r.m.s.)                 |
| Rated Current                   | 0.3A / contact                  |
| Dielectric Withstanding Voltage | 150V AC (r.m.s.) / 1 minute     |
| Insulation Resistance           | 100M $\Omega$ (min.) at 100V DC |
| Contact Resistance              | 100m $\Omega$ (max.)            |

### MATING DIAGRAM

|                 |                      |                       |
|-----------------|----------------------|-----------------------|
| P/N             | DFM-PA080-S931-75-FA | DFM-PA080-S931-345-FA |
| Stacking Height | <br>20.0             | <br>16.0              |
| P/N             | DFM-RA080-S931-38-FA | DFM-RA080-S931-38-FA  |

### MATERIAL/FINISH



| Item          | Material/Finish                                                             |
|---------------|-----------------------------------------------------------------------------|
| Insulator     | LCP Resin(UL94V-0) / Black                                                  |
| Shell         | Steel / Ni Plating                                                          |
| Contact       | Copper Alloy / Contact Area: Au over Ni Plating<br>Tail Area: Sn-Ag Plating |
| Grounding Tab | Copper Alloy / Sn-Ag Plating                                                |

### PRECAUTION FOR MOUNTING

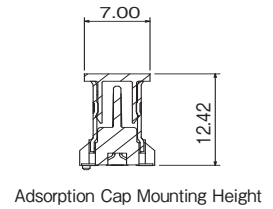
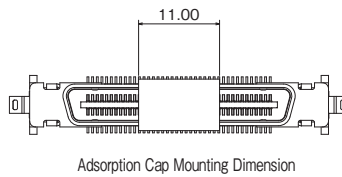
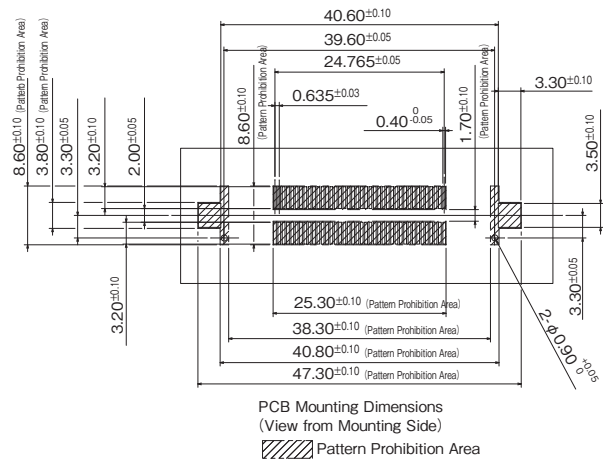
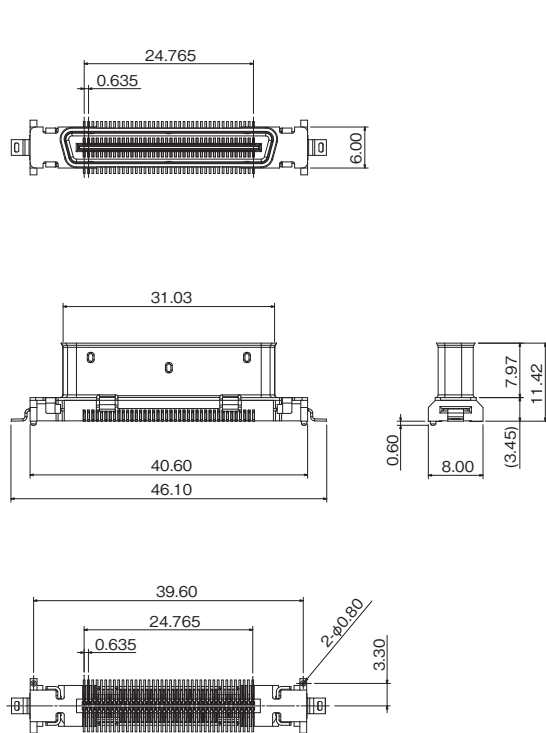
DFM series can not be absorbed the gap because of the fine pitch(0.635mm).  
Please be careful to the gap when you mount more than 2 connectors on one PCB.  
We recommend to isolate the PCB which mount the mating connector.

© Specifications and/or dimensions in this catalogue are subject to change without notice.  
Your catalogue checking the latest specifications with our drawings would be highly appreciated.

▶ Plug Connector

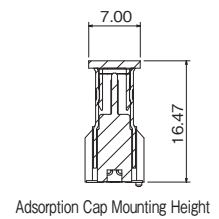
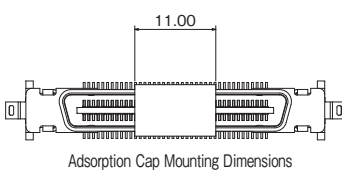
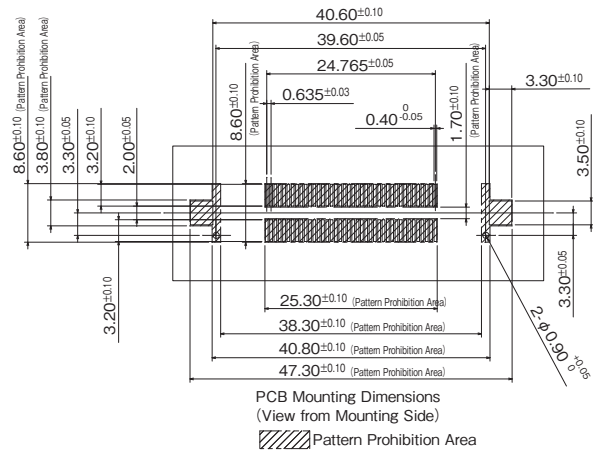
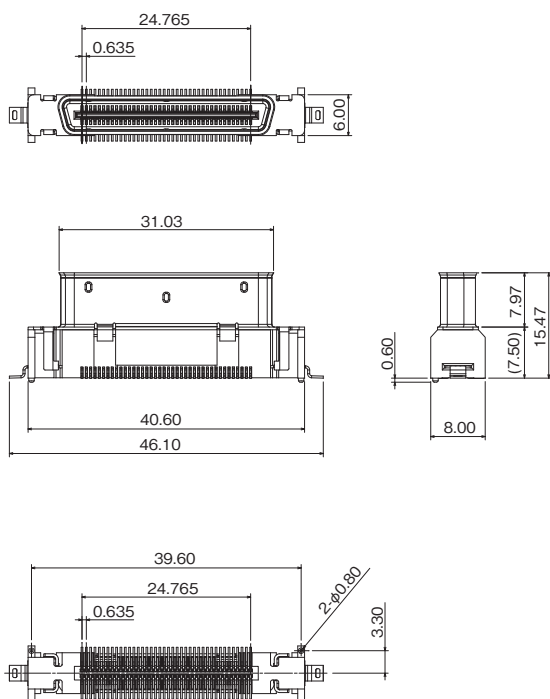
Stacking Height **16 mm**

**DFM-PA080-S931-345-FA**



Stacking Height **20 mm**

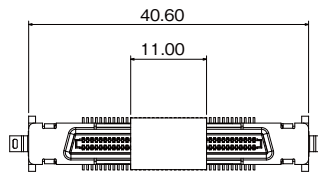
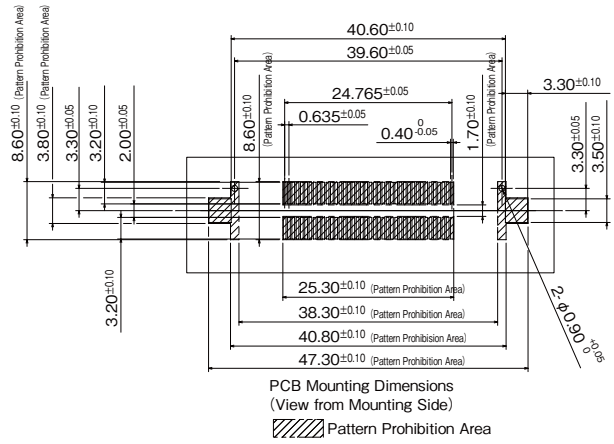
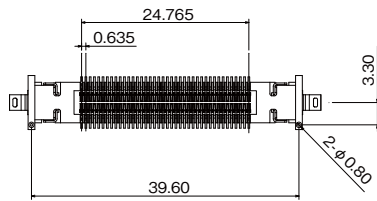
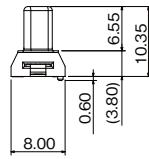
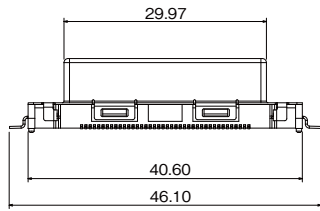
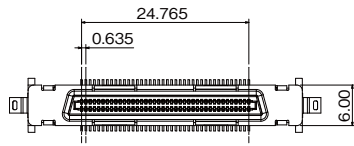
**DFM-PA080-S931-75-FA**



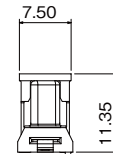
© Specifications and/or dimensions in this catalogue are subject to change without notice.  
Your catalogue checking the latest specifications with our drawings would be highly appreciated.

▶ Receptacle Connector

DFM-RA080-S931-38-FA



Adsorption Cap Mounting Dimension



Adsorption Cap Mounting Height

© Specifications and/or dimensions in this catalogue are subject to change without notice.  
Your catalogue checking the latest specifications with our drawings would be highly appreciated.