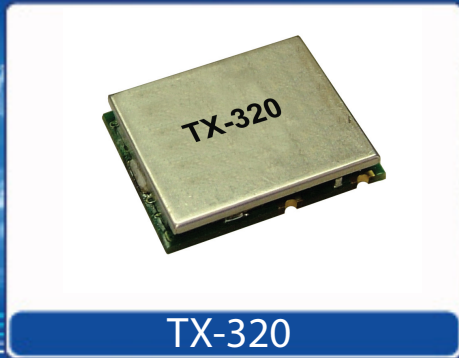


Helping Customers Innovate, Improve & Grow



Description

The TX-320 series surface mount TCXO can be mounted using the standard convection reflow process. Current drain to less than 5 mA is available upon request. Aging <5 ppm for ten years.

Features

- Low Profile
- TTL / HCMOS Output
- Frequency Range: 1 MHz to 77.76 MHz
- Previous Model: TC-350, C2490

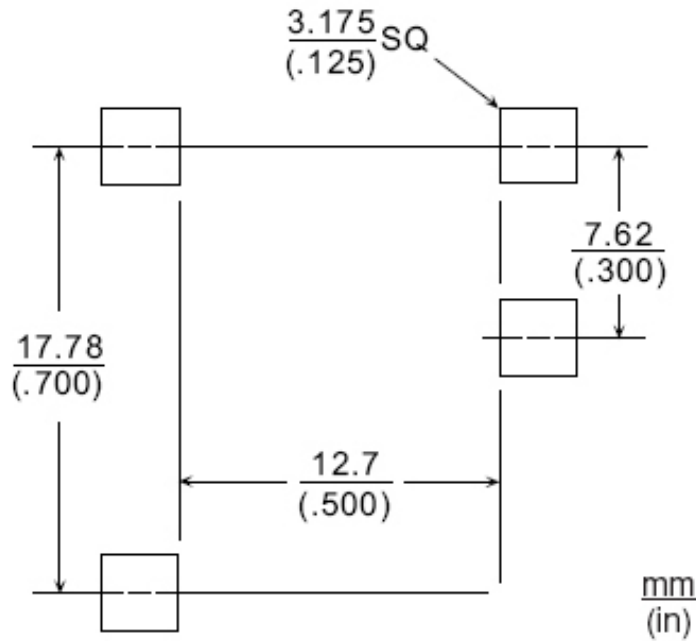
Applications

- SMC Clock
- SONET/SDH Network Timing Sources
- Wireless Communications
- Satellite Communications

Performance Specifications

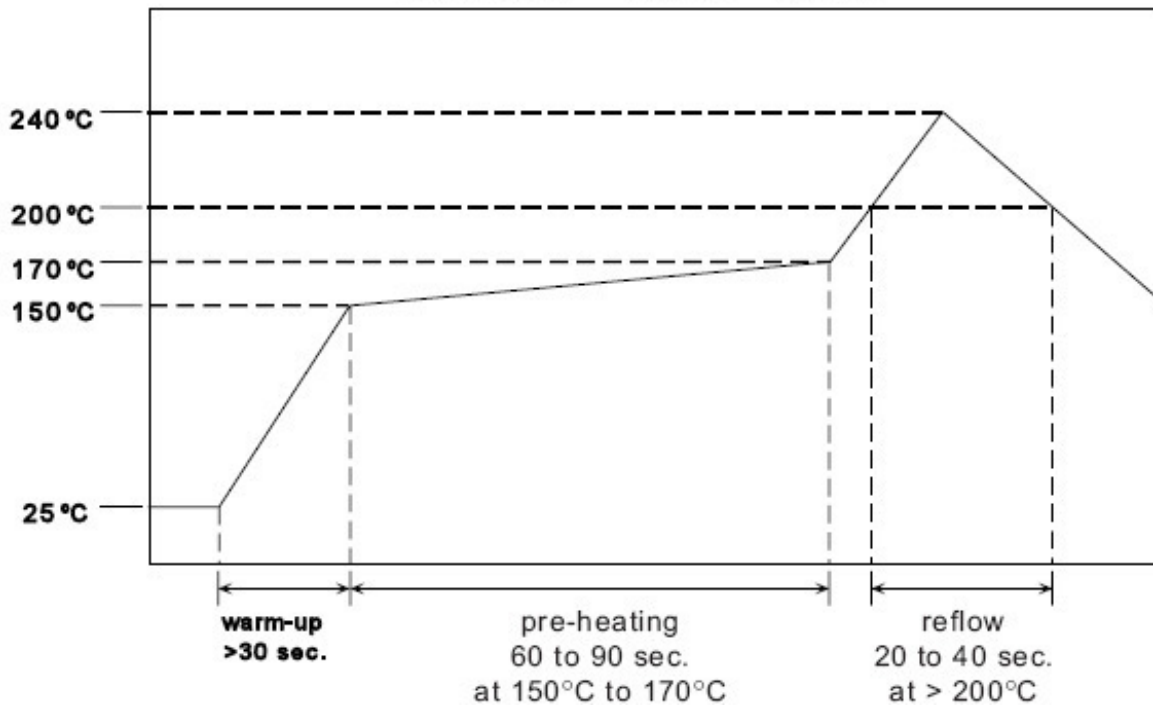
Parameter	Min	Typ	Max	Units	Condition
Frequency Stabilities¹					
vs. operating temperature range (referenced to +25°C)	-2.5		+2.5	ppm	-55... +85°C
	-1.5		+1.5	ppm	-55... +85°C
	-2.0		+2.0	ppm	-40... +85°C
	-1.0		+1.0	ppm	-40... +85°C
	-1.5		+1.5	ppm	-20... +70°C
	-0.75		+0.75	ppm	-20... +70°C
	-1.0		+1.0	ppm	0... +70°C
	-0.5		+0.5	ppm	0... +70°C
	-1.0		+1.0	ppm	0... +50°C
	-0.5		+0.5	ppm	0... +50°C
vs. supply voltage change			+0.1	ppm	V _s ± 5%
vs. aging / 10 years			+5	ppm	@ +70°C
Supply Voltage (V_s)					
Supply voltage	3.135	3.3	3.465	VDC	
Supply voltage	4.75	5.0	5.25	VDC	

Recommended Pad Layout



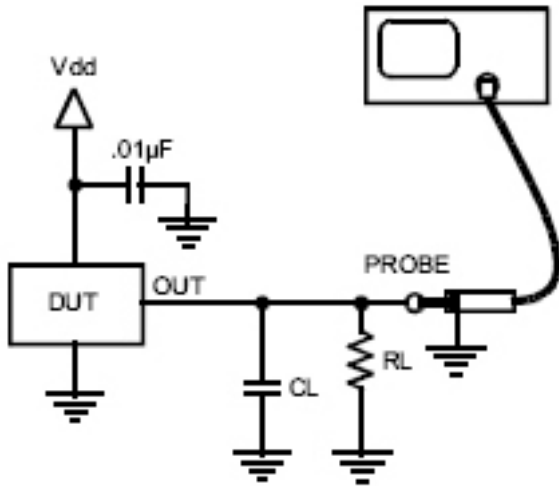
Recommended Reflow Profile

Convection Reflow Profile

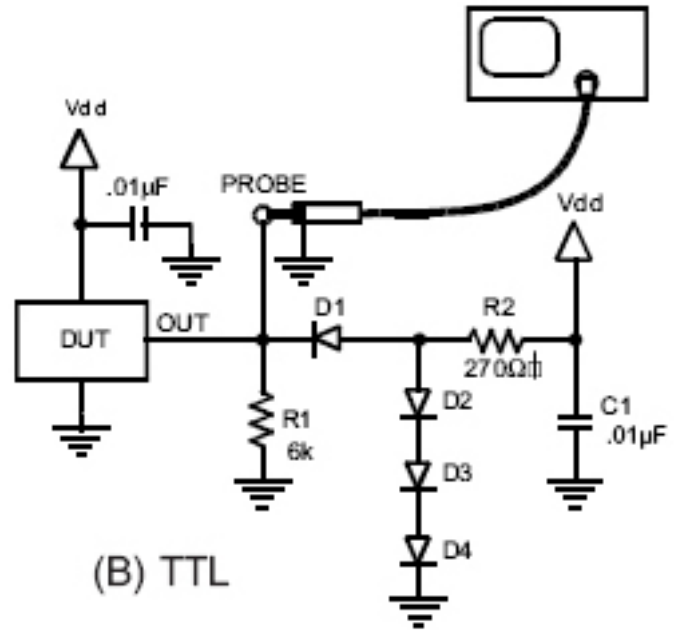


Note: TCXO's are precision subsystems with tolerances measured to 0.01 ppm. Non-Hermetically sealed TCXO's should not be subjected to a wash process that will immerse the TCXO in solvents. NO CLEAN is the recommended procedure. The TX-320 series of TCXO's has been designed for pick and place reflow soldering. The suggested reflow profile is shown above. The TCXO may be reflowed one time in the non-inverted state. Typical frequency shift as a result of reflow is <1.0 ppm per reflow. VI recommends waiting at least two hours after reflow below measuring the unit.

Output Loads



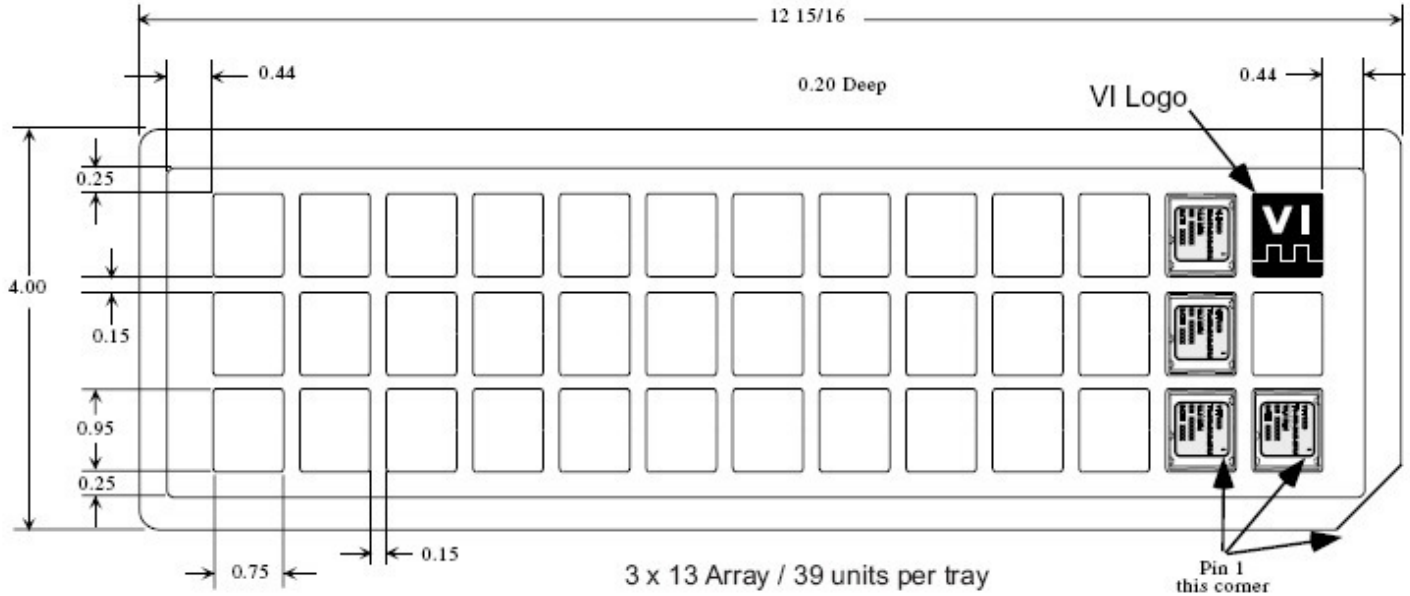
(A) HCMOS / ACMOS



(B) TTL

Standard Shipping Method

The Standard ship method for volume production of the TX-320 series is in a matrix tray. These trays are 100% recyclable. The trays also offer the added feature that they can be continuously feed into a pick-n-place machine eliminating the down time required with tape-n-reel.



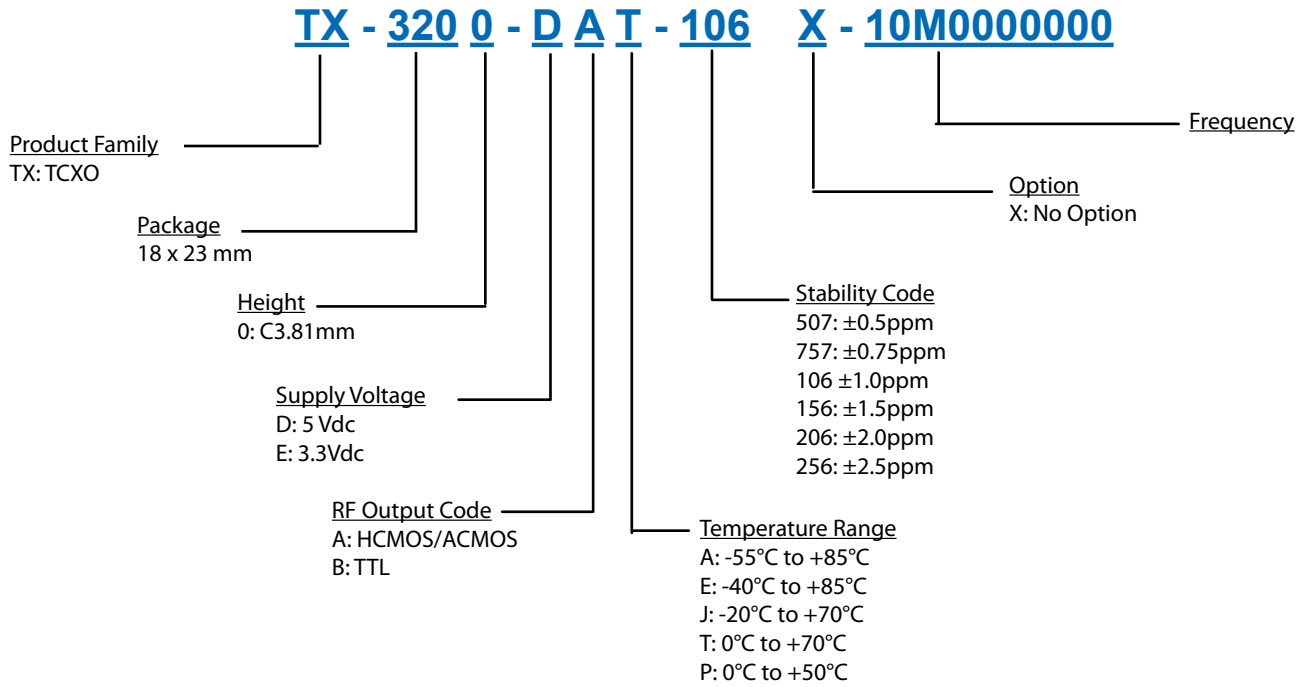
Handling Precautions

Although protection circuitry has been designed into this device, proper precautions should be taken to avoid exposure to electrostatic discharge (ESD) during handling and mounting. VI employs a human-body model (HBM) and a charged-device model (CDM) for ESD-susceptibility testing and protection design evaluation. ESD voltage thresholds are depending on the circuit parameters used to define the mode.

Although no industry-wide standard has been adopted for the CDM, a standard HBM (resistance =1500 ohms, capacitance - 1000 pf) is widely used and therefore can be used for comparison purposes. The HBM ESD threshold presented here was obtained by using these circuit parameters.

ESD Threshold Voltage		
Model	Threshold	Unit
Human-Body (HBM)	500	V min
Charged-Device	500	V min

Ordering Information



Notes:

1. Contact factory for improved stabilities or additional product options. Not all options and codes are available at all frequencies.
2. Unless other stated all values are valid after warm-up time and refer to typical conditions for supply voltage, frequency control voltage, load, temperature (25°C).
3. Phase noise degrades with increasing output frequency.
4. Subject to technical modification.
5. Contact factory for availability.

For Additional Information, Please Contact

USA:

Vectron International
267 Lowell Road
Hudson, NH 03051
Tel: 1.888.328.7661
Fax: 1.888.329.8328

Europe:

Vectron International
Landstrasse, D-74924
Neckarbischofsheim, Germany
Tel: +49 (0) 3328.4784.17
Fax: +49 (0) 3328.4784.30

Asia:

Vectron International
1F-2F, No 8 Workshop, No 308 Fenju Road
WaiGaoQiao Free Trade Zone
Pudong, Shanghai, China 200131
Tel: 86.21.5048.0777
Fax: 86.21.5048.1881

Disclaimer

Vectron International reserves the right to make changes to the product(s) and or information contained herein without notice. No liability is assumed as a result of their use or application. No rights under any patent accompany the sale of any such product(s) or information.

Rev: 2/19/2009 daf