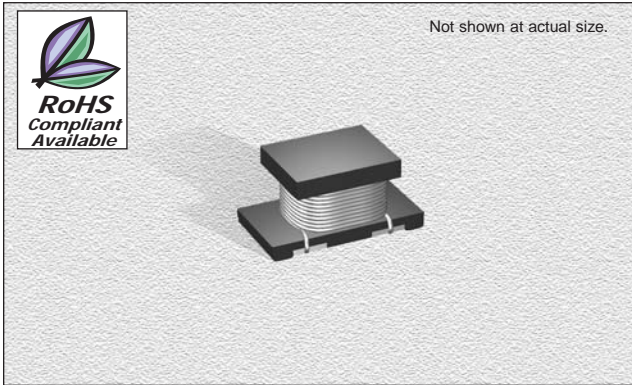


CTLQ1206C Series

From 0.12 μ H to 100 μ H

SPECIFICATIONS

Please specify tolerance code when ordering.
 CTLQ1206C-4R7_ ← J = \pm 5%, K = \pm 10%, M = \pm 20%
 * K or M only
CTLQ1206CE Please specify "F" for RoHS compliant



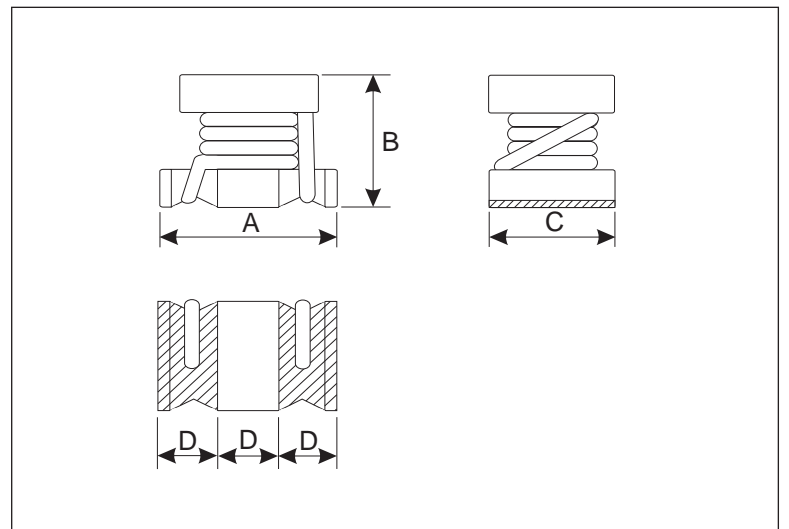
| Part Number | Inductance (μ H) | L Test Freq. (MHz) | SRF Min. (MHz) | DCR Max. (Ω) | Allowable Current (mA) |
|------------------|-----------------------|--------------------|----------------|-----------------------|------------------------|
| CTLQ1206C_-R12M | 0.12 | 1.0 | 250 | 0.112 | 970 |
| CTLQ1206C_-R22M | 0.22 | 1.0 | 250 | 0.140 | 850 |
| CTLQ1206C_-R47M | 0.47 | 1.0 | 180 | 0.210 | 700 |
| CTLQ1206C_-1R0M | 1.0 | 1.0 | 100 | 0.364 | 510 |
| CTLQ1206C_-2R2M | 2.2 | 1.0 | 50 | 0.533 | 430 |
| CTLQ1206C_-4R7_* | 4.7 | 1.0 | 31 | 0.845 | 340 |
| CTLQ1206C_-100_ | 10 | 1.0 | 20 | 1.69 | 230 |
| CTLQ1206C_-220_ | 22 | 1.0 | 14 | 3.90 | 160 |
| CTLQ1206C_-470_ | 47 | 1.0 | 10 | 10.4 | 100 |
| CTLQ1206C_-101_ | 100 | 1.0 | 7 | 15.6 | 80 |

PHYSICAL DIMENSIONS

| Size | A | B | C | D Min. |
|--------|-------------------|-------------------|-------------------|-----------|
| mm | 3.20 \pm 0.30 | 1.80 \pm 0.30 | 1.60 \pm 0.30 | 0.7 |
| inches | 0.126 \pm 0.012 | 0.071 \pm 0.012 | 0.063 \pm 0.012 | 0.028 |

CHARACTERISTICS

- Description:** SMD power inductor
- Applications:** Power supplies for VTR, OA equipment, LCD televisions, PC notebooks, portable communication equipment, DC/DC converters, etc.
- Operating Temperature:** -25°C to +85°C
- Inductance Tolerance:** J = \pm 5%, K = \pm 10% & M = \pm 20%
- Packaging:** Tape & Reel
- Testing:** Tested on a HP4285A @ specified frequency
- Allowable Current:** Self temperature rise shall be limited to 35°C max. Inductance drop 10% typ. at this rated current.
- Miscellaneous:** RoHS Compliant available.
- Additional Information:** Additional electrical & physical information available upon request
- Samples available. See website for ordering information.**



10.11.05

