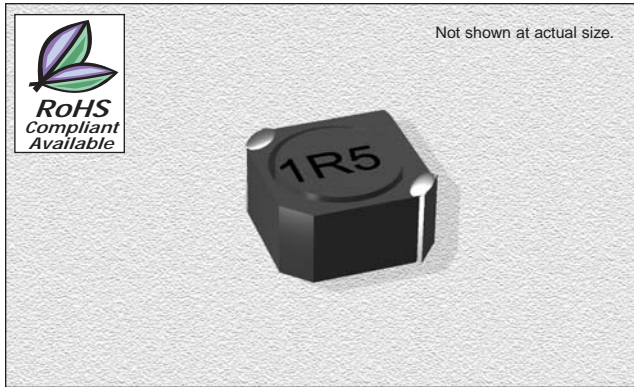


## CTCDRH3D16 Series

From 1.5  $\mu\text{H}$  to 100  $\mu\text{H}$



### CHARACTERISTICS

**Description:** SMD (shielded) power inductor

**Applications:** Power supplies for VTR, OA equipment, LCD televisions, PC notebooks, portable communication equipment, DC/DC converters, etc.

**Operating Temperature:** -30°C to +100°C

**Inductance Tolerance:**  $\pm 30\%$

**Testing:** Tested on a HP4285A at 100kHz

**Packaging:** Tape & Reel

**Marking:** Parts are marked with inductance code

**Miscellaneous:** RoHS Compliant available

**Additional Information:** Additional electrical & physical information available upon request

**Samples available. See website for ordering information.**

### SPECIFICATIONS

Parts are available in  $\pm 30\%$  tolerance only.

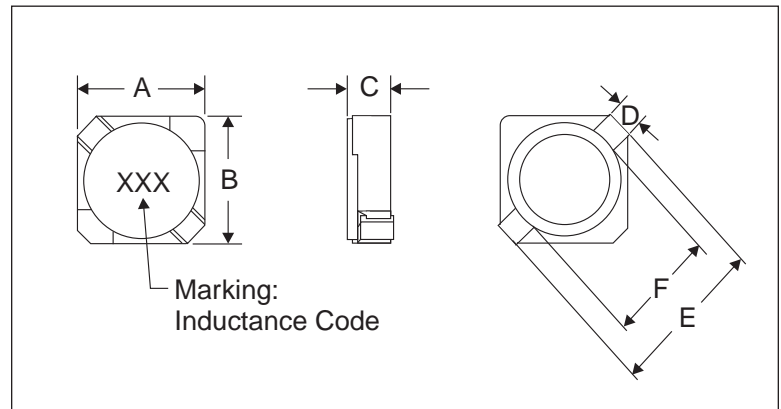
CTCDRH3D16E Please specify "F" for RoHS Compliant

Part Number	Inductance @ 0.25Vrms,0A dc ( $\mu\text{H} \pm 30\%$ )	L Test Freq. (kHz)	DCR Max. ( $\Omega$ )	*Rated DC Current (A)
CTCDRH3D16_-1R5N	1.5	100	.052	1.55
CTCDRH3D16_-2R2N	2.2	100	.072	1.20
CTCDRH3D16_-3R3N	3.3	100	.085	1.10
CTCDRH3D16_-4R7N	4.7	100	.105	0.90
CTCDRH3D16_-6R8N	6.8	100	.170	0.73
CTCDRH3D16_-100N	10	100	.210	0.55
CTCDRH3D16_-150N	15	100	.295	0.45
CTCDRH3D16_-220N	22	100	.430	0.40
CTCDRH3D16_-330N	33	100	.675	0.32
CTCDRH3D16_-470N	47	100	.940	0.22
CTCDRH3D16_-680N	68	100	1.28	0.20
CTCDRH3D16_-820N	82	100	1.55	0.17
CTCDRH3D16_-101N	100	100	1.75	0.15

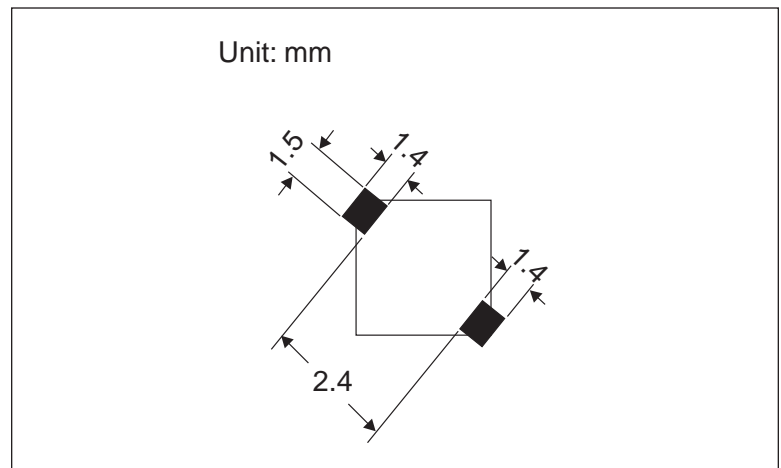
\*The rated current indicates the current when the inductance decreases to 65% over its nominal value or D.C. current when the temperature rising  $\Delta T=40^\circ\text{C}$  lower, whichever is lower.

### PHYSICAL DIMENSIONS

Size	A Max.	B Max.	C Max.	D	E	F
mm	4.1	4.1	1.8	1.15	5.2	2.95
inches	0.16	0.16	0.07	0.05	0.20	0.12



### PAD LAYOUT



11.03.05