

Bulk Metal[®] Foil Technology Power Current Sensing Resistors with TCR of 5 ppm/°C and Power Rating up to 7 Watts



Any value available within resistance range

These Bulk Metal[®] Foil power current sensing resistors are direct replacements for certain wirewound devices but without the inductive characteristics of wirewounds. The anodized aluminum housing is drilled and countersunk to accept flat head screws for thermal mounting. Because the device is internally Kelvin connected, there is no restriction on the lead lengths as would be the case if this were a two terminal device. Frequently used in YIG oscillator circuits these devices contribute to superior frequency stability.

FEATURES

- Temperature Coefficient of Resistance (TCR):
 $\pm 5 \text{ ppm/}^\circ\text{C}$ (Above 10Ω)
 $\pm 10 \text{ ppm/}^\circ\text{C}$ (Below 10Ω)
- Tolerance: to $\pm 0.01 \%$
- Resistance Range: 1Ω to $100 \text{ k}\Omega$
- Electrostatic Discharge (ESD) above $25\,000 \text{ V}$
- Non Inductive, Non Capacitive Design
- Rise Time: 1.0 ns without ringing
- Current Noise: $< -40 \text{ dB}$
- Thermal EMF: $< 0.05 \mu\text{V/}^\circ\text{C}$ typical
- Voltage Coefficient: $< 0.1 \text{ ppm/V}$
- Non-Inductive: $< 0.08 \mu\text{H}$
- Non Hot Spot Design
- Terminal Finishes available: Lead (Pb)-free
Tin/Lead Alloy
- Prototype Samples available from 48 hours. Please contact foil@vishay.com
- For better performances, please contact us



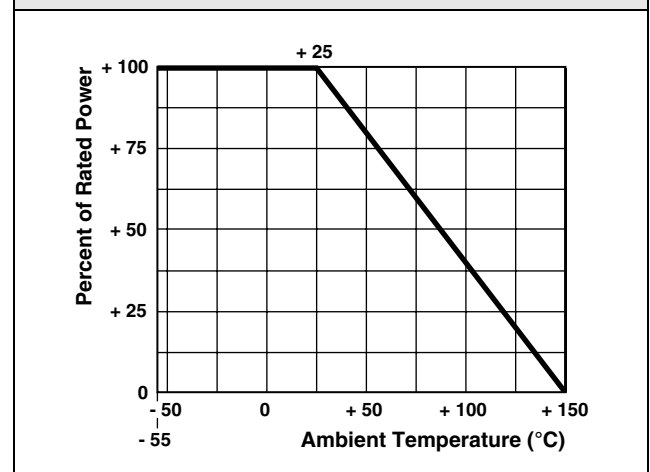
RoHS*
COMPLIANT

TABLE 1 - SPECIFICATIONS				
MODEL NUMBER	RESISTANCE RANGE (Ω)	TOLERANCE TO	MAXIMUM WORKING VOLTAGE	POWER ¹⁾ RATING at 25°C
VPR5	1 to 10	$\pm 0.1 \%$	300 V	5 W
	> 10 to 100	$\pm 0.05 \%$		
	> 100 to 100K	$\pm 0.01 \%$		
VPR7	1 to 10	$\pm 0.1 \%$	300 V	7 W
	> 10 to 100	$\pm 0.05 \%$		
	> 100 to 100K	$\pm 0.01 \%$		

Note

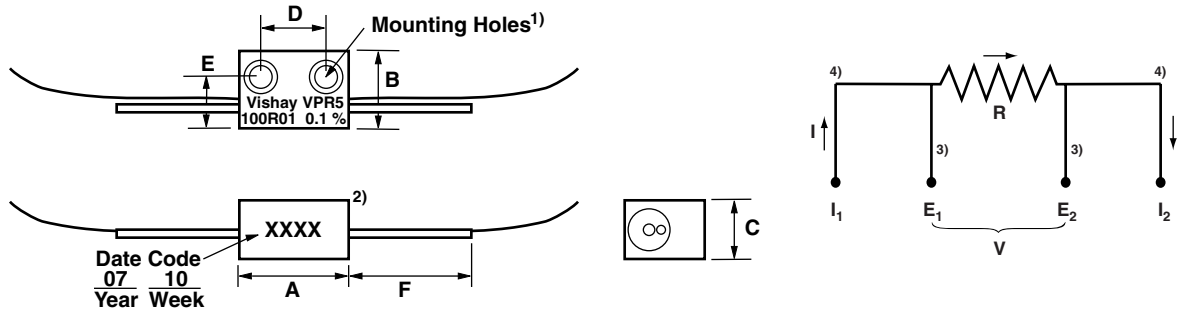
1. Mounted on aluminum chassis (6" L x 4" W x 2" H x 0.040" Th) per MIL-R-39009/1B.

FIGURE 1 - POWER DERATING CURVE



* Pb containing terminations are not RoHS compliant, exemptions may apply

TABLE 2 - STANDARD IMPRINTING AND DIMENSIONS



DIMENSIONS

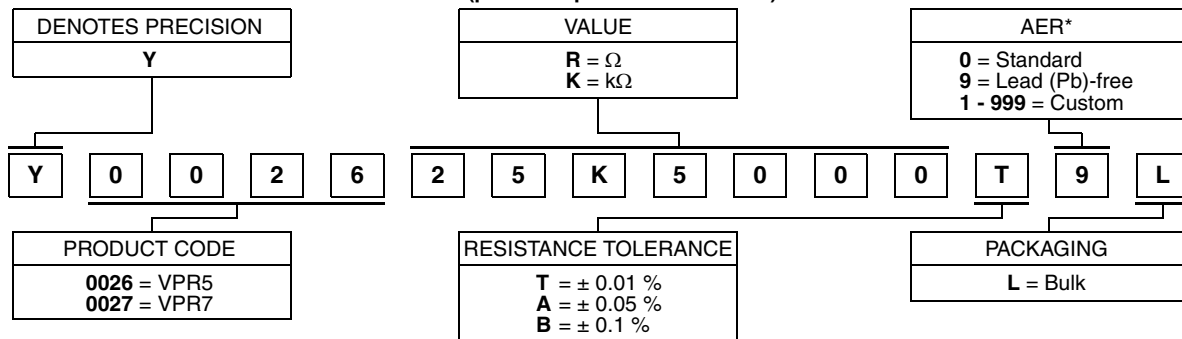
A		B		C		D		E		F (min)	
in	mm	in	mm	in	mm	in	mm	in	mm	in	mm
0.625	15.88	0.450	11.43	0.312	7.93	0.400	10.16	0.350	8.89	1.500	38.10
1.030	26.16	0.450	11.43	0.312	7.93	0.788	20.02	0.350	8.89	1.375	34.90

Notes

- #4-40 F.H. Machine Screw (Not Included)
- Anodized Aluminum Housing
- #26 AWG, Teflon Coated, 4" min.
- #20 AWG, Solder Coated Copper

TABLE 4 - GLOBAL PART NUMBER INFORMATION

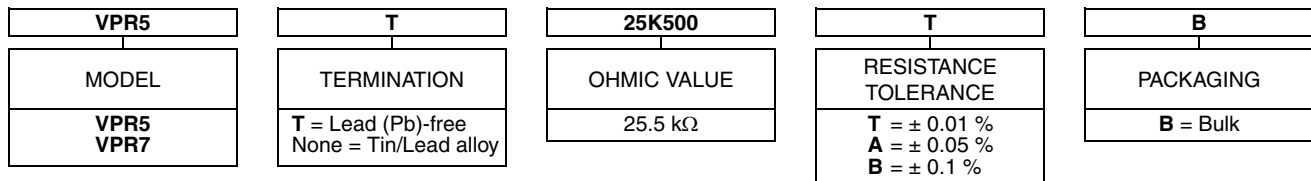
NEW GLOBAL PART NUMBER: Y002625K5000T9L (preferred part number format)



FOR EXAMPLE: ABOVE GLOBAL ORDER Y0026 25K5000 T 9 L:

TYPE: VPR5
 VALUE: 25.5 kΩ
 ABSOLUTE TOLERANCE: ± 0.01 %
 TERMINATION: Lead (Pb)-free
 PACKAGING: Bulk

HISTORICAL PART NUMBER: VPR5T 25K500 T B (will continue to be used)



Note

* For non-standard requests, please contact Application Engineering.



Disclaimer

All product specifications and data are subject to change without notice.

Vishay Intertechnology, Inc., its affiliates, agents, and employees, and all persons acting on its or their behalf (collectively, "Vishay"), disclaim any and all liability for any errors, inaccuracies or incompleteness contained herein or in any other disclosure relating to any product.

Vishay disclaims any and all liability arising out of the use or application of any product described herein or of any information provided herein to the maximum extent permitted by law. The product specifications do not expand or otherwise modify Vishay's terms and conditions of purchase, including but not limited to the warranty expressed therein, which apply to these products.

No license, express or implied, by estoppel or otherwise, to any intellectual property rights is granted by this document or by any conduct of Vishay.

The products shown herein are not designed for use in medical, life-saving, or life-sustaining applications unless otherwise expressly indicated. Customers using or selling Vishay products not expressly indicated for use in such applications do so entirely at their own risk and agree to fully indemnify Vishay for any damages arising or resulting from such use or sale. Please contact authorized Vishay personnel to obtain written terms and conditions regarding products designed for such applications.

Product names and markings noted herein may be trademarks of their respective owners.