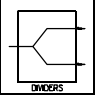


PDN-20 Series 0° POWER DIVIDERS / COMBINERS

10 to 1000 MHz / 2-Way / Low Insertion Loss / Uniform Phase & Ampli. Bal. / N-Type Connector



PRINCIPAL SPECIFICATIONS

| Model Number | Frequency Range, MHz | Isolation, dB, | | Insertion Loss, dB, | | Phase Balance, | | Amplitude Balance, dB, | | VSWR, (In/Output) | | †Input Power, Max. |
|--------------|----------------------|----------------|------|---------------------|------|----------------|------|------------------------|------|-------------------|-------|--------------------|
| | | Min. | Typ. | Max. | Typ. | Max. | Typ. | Max. | Typ. | Max. | Typ. | |
| PDN-20-250 | 10 - 500 | 30 | 32 | 0.7 | 0.5 | 2° | 1° | 0.2 | 0.1 | 1.3:1 | 1.2:1 | 3 W |
| PDN-20-500 | 5 - 1000 | 25 | 30 | 1.2 | 0.8 | 3° | 2° | 0.3 | 0.2 | 1.5:1 | 1.3:1 | 3 W |

†CW input power when used as divider with 1.2:1 VSWR_{out}

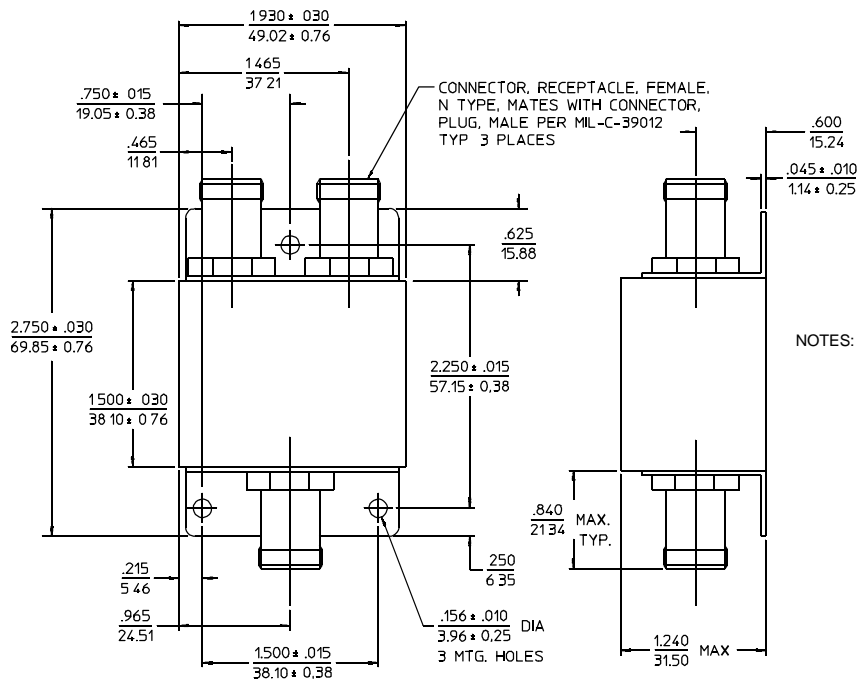
General Notes:

1. The PDN-20 series of 2-way In-Phase Power Dividers/Combiners covers 10 to 1000 MHz using a lumped element design for high isolation and uniform phase/amplitude balance in a conveniently sized, rugged package.

GENERAL SPECIFICATIONS

Coupling: - 3 dB nom.
 Impedance: 50 Ω nom.
 Internal Load Dissipation: 250 mW max.
 Weight, nominal: 5.6 oz. (160 g)
 Operating Temperature: - 55° to +85°C

Package Outline



19Feb96