

Silicon NPN Power Transistors

2SC2899

DESCRIPTION

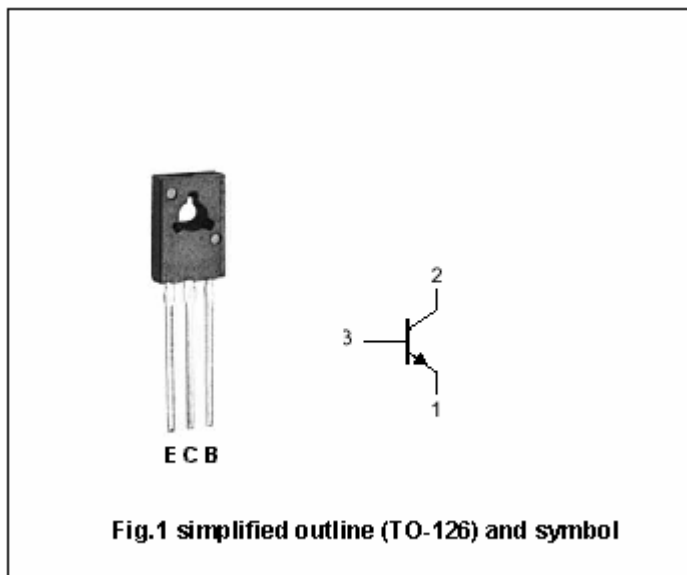
- With TO-126 package
- High voltage,high speed

APPLICATIONS

- For high speed and high voltage switching applications

PINNING

PIN	DESCRIPTION
1	Emitter
2	Collector
3	Base



Absolute maximum ratings (Ta=25)

SYMBOL	PARAMETER	CONDITIONS	VALUE	UNIT
V_{CBO}	Collector-base voltage	Open emitter	500	V
V_{CEO}	Collector-emitter voltage	Open base	400	V
V_{EBO}	Emitter-base voltage	Open collector	10	V
I_C	Collector current		0.5	A
I_{CM}	Collector current-peak		1.0	A
P_C	Collector power dissipation	$T_a=25$	0.75	W
		$T_C=25$	10	
T_j	Junction temperature		150	
T_{stg}	Storage temperature		-55~150	

Silicon NPN Power Transistors

2SC2899

CHARACTERISTICS

T_j=25 unless otherwise specified

SYMBOL	PARAMETER	CONDITIONS	MIN	TYP.	MAX	UNIT
V _{CEO(SUS)}	Collector-emitter sustaining voltage	I _C =0.1A; R _{BE} = , L=100mH	400			V
V _{(BR)EBO}	Emitter-base breakdown voltage	I _E =10mA; I _C =0	10			V
V _{CEsat}	Collector-emitter saturation voltage	I _C =250mA; I _B =50m A			1.0	V
V _{BEsat}	Base-emitter saturation voltage	I _C =250mA ; I _B =50m A			1.5	V
h _{FE-1}	DC current gain	I _C =250mA ; V _{CE} =5V	15			
h _{FE-2}	DC current gain	I _C =500mA ; V _{CE} =5V	7			
I _{CBO}	Collector cut-off current	V _{CB} =400V; I _E =0			20	μ A
I _{CEO}	Collector cut-off current	V _{CE} =350V; R _{BE} =			50	μ A
Switching times						
t _{on}	Turn-on time	I _C =0.5A; I _{B1} =-I _{B2} =0.1A V _{CC} 150V			1.0	μ s
t _{stg}	Storage time				2.0	μ s
t _f	Fall time				1.0	μ s

Silicon NPN Power Transistors

2SC2899

PACKAGE OUTLINE

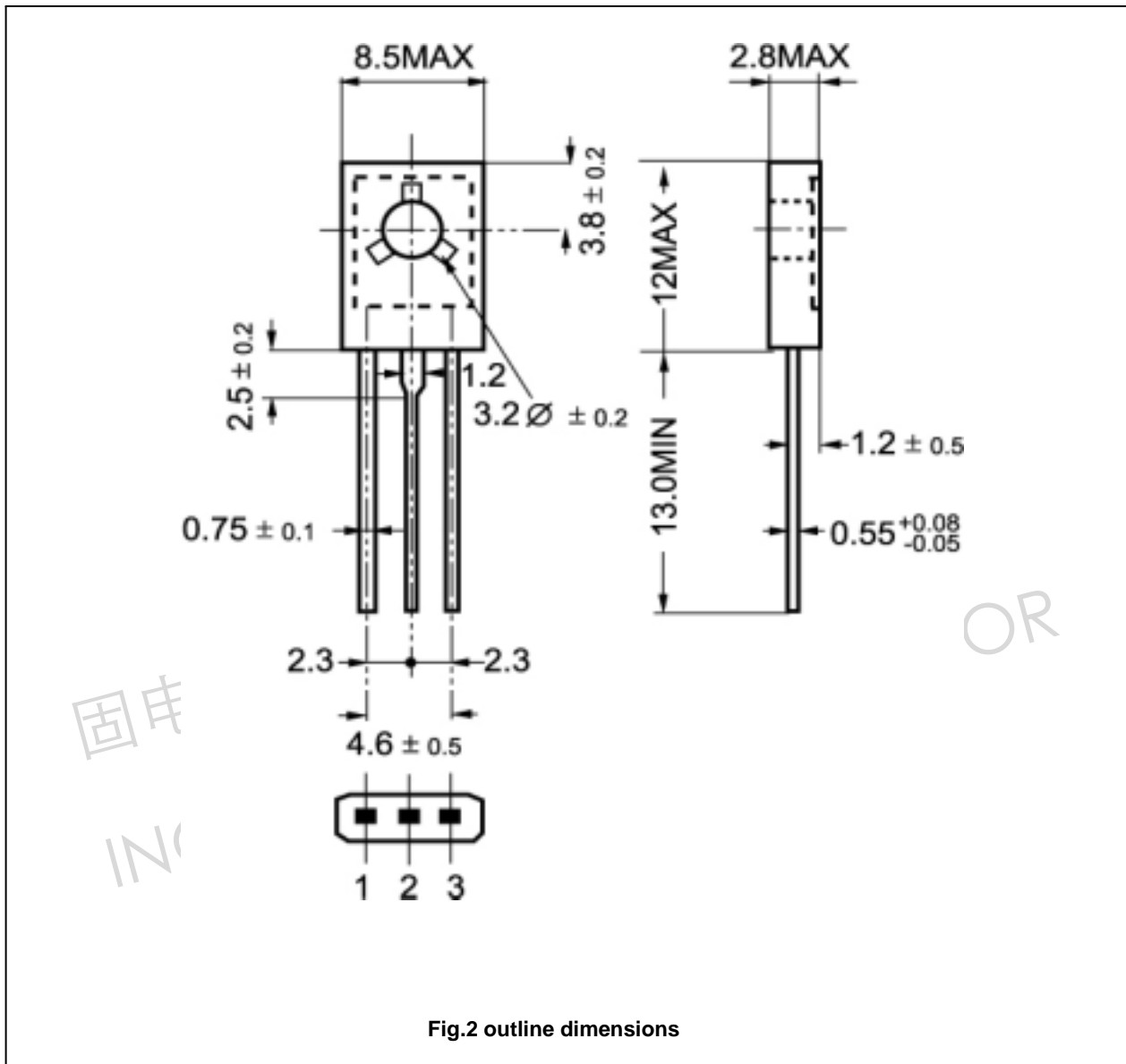


Fig.2 outline dimensions

Silicon NPN Power Transistors

2SC2899

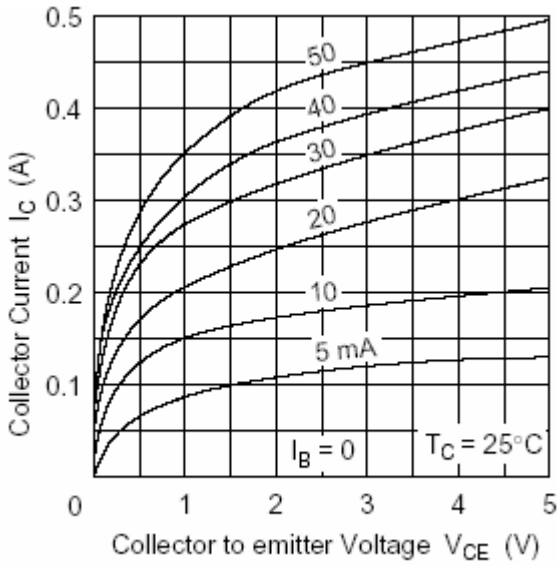


Fig.3 Static Characteristic

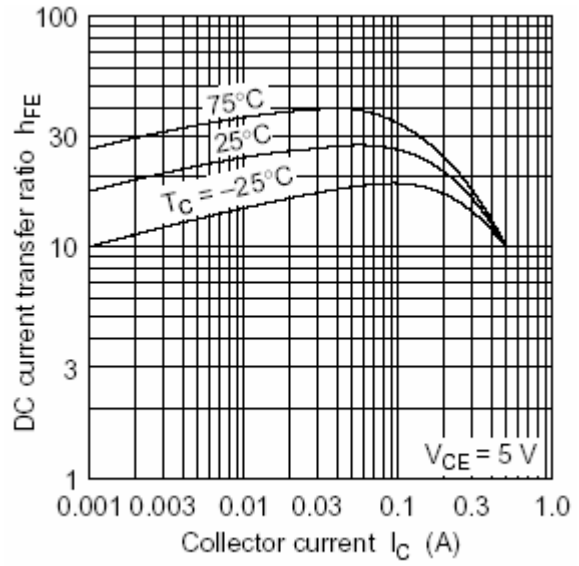


Fig.4 DC current Gain

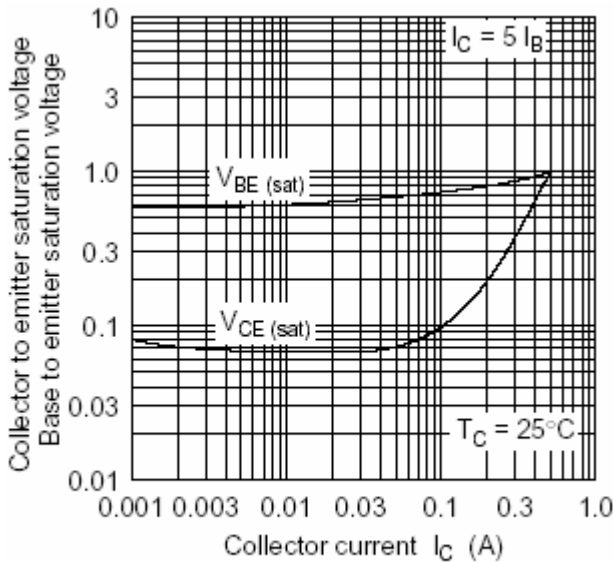


Fig.5 Base-Emitter Saturation Voltage
Collector-Emitter Saturation Voltage

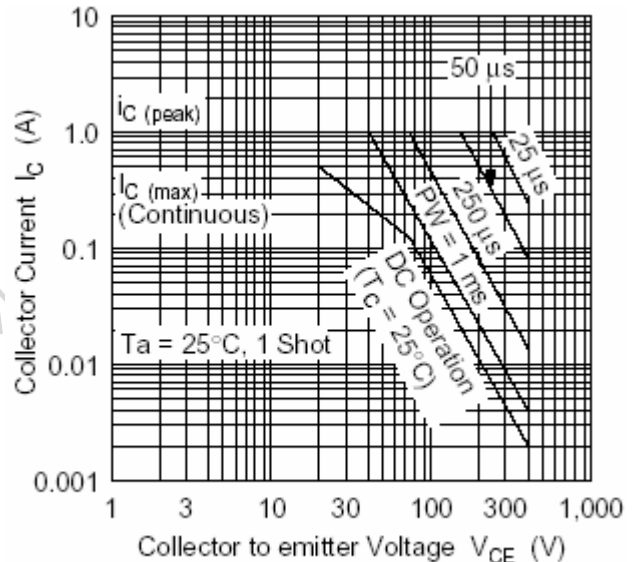


Fig.6 Safe Operating Area