

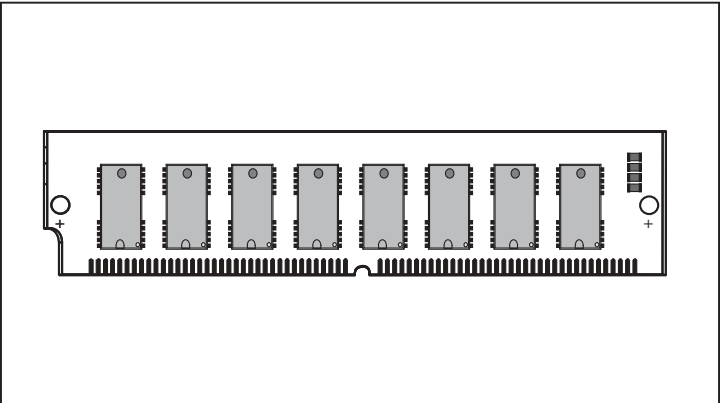
Accutec Microcircuit Corporation

AK532256W 262,144 Word by 32 Bit CMOS Dynamic Random Access Memory

DESCRIPTION

The Accutec AK532256W high density memory module is a CMOS dynamic RAM organized in 256K x 32 bit words. The module consists of eight standard 256K x 4 DRAMs in plastic SOJ packages. The assembly has eight drams mounted on the front side of a printed circuit board in a 72 pad leadless SIM configuration.

The operation of the AK532256W is identical to eight 256K x 4 DRAMs. There are four $\overline{\text{CAS}}$ lines and two $\overline{\text{RAS}}$ lines. Independent byte control is accomplished by four $\overline{\text{CAS}}$ lines. Each separate $\overline{\text{CAS}}$ line controls two 256K x 4 Drams to form an 8 bit byte. The bank of 32 bits is controlled by the two $\overline{\text{RAS}}$ lines. A sixteen bit data path can be produced by connecting DQ_{17} to DQ_{18} , DQ_{19} to DQ_{20} and alternately strobing $\overline{\text{RAS}}_0$ with $\overline{\text{RAS}}_2$.



FEATURES

- 262,144 x 32 bit organization
- 72 pin Single In-Line Module
- Multiple $\overline{\text{CAS}}$ and $\overline{\text{RAS}}$ lines allow x16 or x32 bit widths
- $\overline{\text{CAS}}$ -before- $\overline{\text{RAS}}$ Refresh, $\overline{\text{RAS}}$ -only Refresh or Hidden refresh
- Operating free air temperature 0°C to 70°C
- Single 5 Volt Power Supply
- 512 Refresh Cycles, 8mSEC
- Power
2.00 Watt Max Active (60nS)
1.78 Watt Max Active (70 nS)
1.562 Watt Max Active (80 nS)
44 mW Max Standby

- Available in Fast Page Mode, EDO and Static Column Mode versions
- Available in leadless SIM or leaded Zip versions
- Upward compatible with AK532512, AK5321024, AK5322048, AK5324096 and AK5328192

ADDITIONAL OPTIONS AVAILABLE

- 512K x 32 version, AK532512
- 1 Meg x 32 version, AK5321024
- 2 Meg x 32 version, AK5322048
- 4 Meg x 32 version, AK5324096
- 8 Meg x 32 version, AK5328192

PIN NOMENCLATURE

A ₀ - A ₈	Address Inputs
DQ ₁ - DQ ₃₂	Data In/Data Out
$\overline{\text{CAS}}_0$ - $\overline{\text{CAS}}_3$	Column Address Strobe
$\overline{\text{RAS}}_0$, $\overline{\text{RAS}}_2$	Row Address Strobe
$\overline{\text{WE}}$	Write Enable
PD ₁ - PD ₄	Presence Detect
V _{cc}	5v Supply
V _{ss}	Ground
NC	No Connect

MODULE OPTIONS

Leadless SIM: AK532256W
Leaded ZIP: AK532256WZ

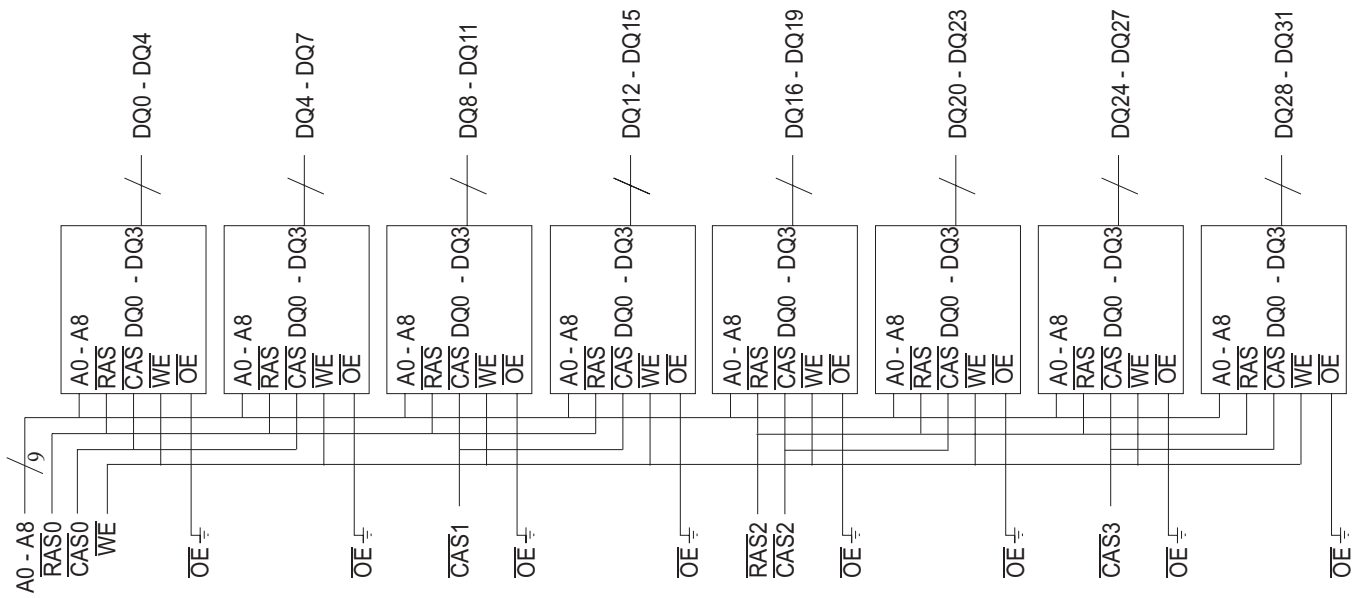
PIN ASSIGNMENT

PIN #	SYMBOL	PIN #	SYMBOL	PIN #	SYMBOL	PIN #	SYMBOL
1	V _{ss}	19	NC	37	NC	55	DQ12
2	D1	20	DQ5	38	NC	56	DQ28
3	DQ17	21	DQ21	39	V _{ss}	57	DQ13
4	DQ2	22	DQ6	40	$\overline{\text{CAS}}_0$	58	DQ29
5	DQ18	23	DQ22	41	$\overline{\text{CAS}}_2$	59	V _{cc}
6	DQ3	24	DQ7	42	$\overline{\text{CAS}}_3$	60	DQ30
7	DQ19	25	DQ23	43	$\overline{\text{CAS}}_1$	61	DQ14
8	DQ4	26	DQ8	44	$\overline{\text{RAS}}_0$	62	DQ31
9	DQ20	27	DQ24	45	NC	63	DQ15
10	V _{cc}	28	A7	46	NC	64	DQ32
11	NC	29	NC	47	$\overline{\text{WE}}$	65	DQ16
12	A0	30	V _{cc}	48	NC	66	NC
13	A1	31	A8	49	DQ9	67	PD1
14	A2	32	NC	50	DQ25	68	PD2
15	A3	33	NC	51	DQ10	69	PD3
16	A4	34	$\overline{\text{RAS}}_2$	52	DQ26	70	PD4
17	A5	35	NC	53	DQ11	71	NC
18	A6	36	NC	54	DQ27	72	V _{ss}

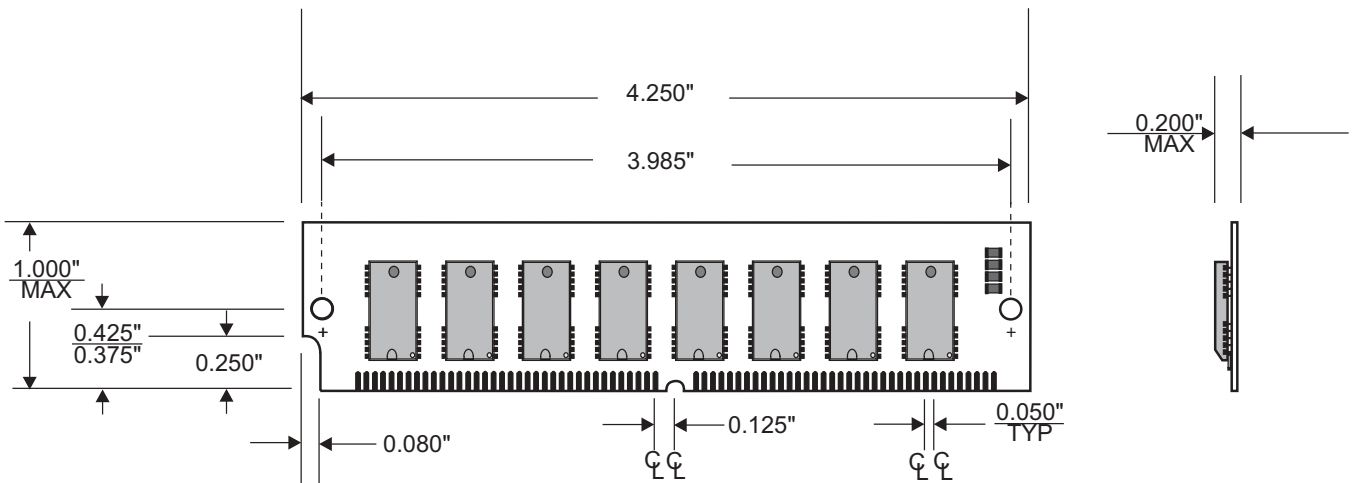
Presence Detect -

	-60	-70	-80
PD1	V _{ss}	V _{ss}	V _{ss}
PD2	NC	NC	NC
PD3	NC	V _{ss}	NC
PD4	NC	NC	V _{ss}

FUNCTIONAL DIAGRAM



MECHANICAL DIMENSIONS



ACCUTEK MICROCIRCUIT CORPORATION

BUSINESS CENTER at NEWBURYPORT
 2 NEW PASTURE ROAD, SUITE 1
 NEWBURYPORT, MA 01950-4054
 PHONE: 978-465-6200 FAX: 978-462-3396
 Email: sales@accutekmicro.com
 Internet: www.accutekmicro.com

Accutek reserves the right to make changes in specifications at any time and without notice. Accutek does not assume any responsibility for the use of any circuitry described; no circuit patent licenses are implied. Preliminary data sheets contain minimum and maximum limits based upon design objectives, which are subject to change upon full characterization over the specific operating conditions.