





# 10/100BASE-TX QUAD PORT TRANSFORMER MODULES

For Use with Transceivers Requiring 1:1 Transmit and Receive Turns Ratios



-  RoHS-6 peak reflow temperature rating: 245°C
-  RoHS-5 peak reflow temperature rating: 235°C
-  Meets IEEE 802.3 specification
-  Models designed to support four single- or double-stacked RJ-45 connectors

## Electrical Specifications @ 25°C — Operating Temperature 0°C to 70°C

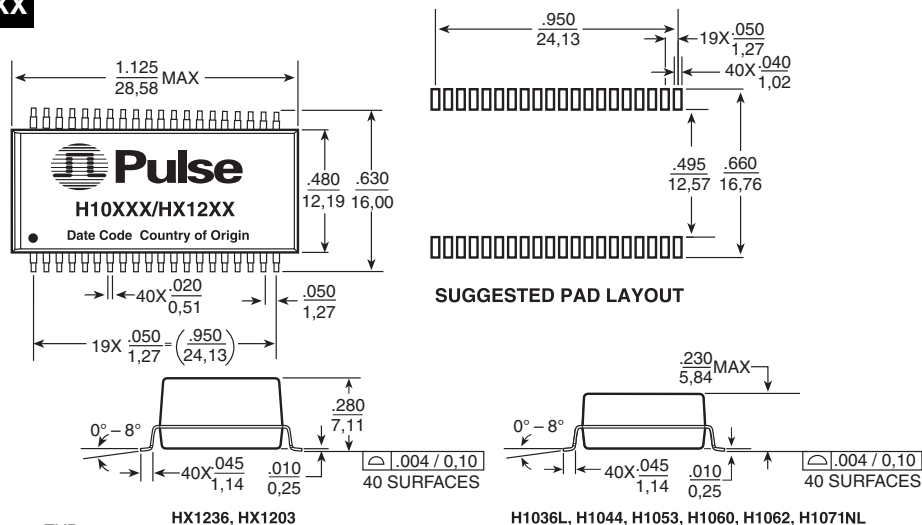
RoHS-5 <sup>4</sup> Compliant Part Number	RoHS-6 <sup>5</sup> Compliant Part Number	Insertion Loss (dB TYP)	Return Loss (dB TYP)				Crosstalk (dB TYP)				Common to Common Rejection Ratio 0.1-60MHz (dB TYP)		Differential to Common Mode Rejection (dB TYP)	
			0.1-100MHz	2-30MHz	40MHz	50MHz	60-80MHz	1MHz	30MHz	60MHz	100MHz	Transmit	Receive	1-60MHz
H1036L	H1036LNL <sup>3d</sup>	-0.5	-21	-17	-14.5	-12	-65	-55	-45	-35	-30	-30	-40	-30
H1044	H1044NL <sup>3d</sup>	-0.5	-21	-17	-14.5	-12	-65	-55	-45	-35	-30	-30	-40	-30
H1053	H1053NL <sup>3d</sup>	-0.5	-21	-17	-14.5	-12	-65	-50	-40	-30	-30	-30	-40	-30
H1053	H1053NL <sup>3d</sup>	-0.5	-21	-17	-14.5	-12	-65	-50	-40	-30	-30	-30	-40	-30
H1062	H1062 NL <sup>3d</sup>	-0.5	-21	-17	-14.5	-12	-65	-55	-45	-35	-30	-30	-40	-30
—	H1071NL <sup>3d</sup>	-0.5	-21	-17	-14.5	-12	-65	-50	-40	-30	-30	-30	-40	-30
HX1203 <sup>1</sup>	HX1203NL <sup>3d</sup>	-0.5	-21	-17	-14.5	-12	-65	-55	-45	-35	-30	-30	-40	-30
HX1236 <sup>1</sup>	HX1236NL <sup>3c</sup>	-0.5	-18	-16	-14.5	-12	-50	-45	-40	-35	-30	-30	-40	-35

- Operating temperature -40° to +85°C.
- For Tape & Reel packaging, add a suffix “T” to the end of the part number when ordering. e.g. H1036LT.
- MSL=Moisture Sensitivity Level a=1 b=2 c=3 d=4.
- RoHS-5: Product does not contain 5 out of the 6 banned substances specified in the RoHS directive (product contains lead in applications considered solder).
- RoHS-6: Product does not contain 5 out of the 6 banned substances specified in the RoHS directive. Some internal connections may contain lead in high-temperature solder (solder alloys containing more than 85% lead).

NOTE: All models meet input/output breakdown (Hipot) of 1500 Vrms.

## Mechanical

### H10XX, HX12XX



Weight . . . . . 4.0 grams TYP  
 Tube . . . . . 15/tube  
 Tape & Reel . . . . . 250/reel

Dimensions: Inches Unless otherwise specified, all tolerances are ± .010 mm

# 10/100BASE-TX QUAD PORT TRANSFORMER MODULES

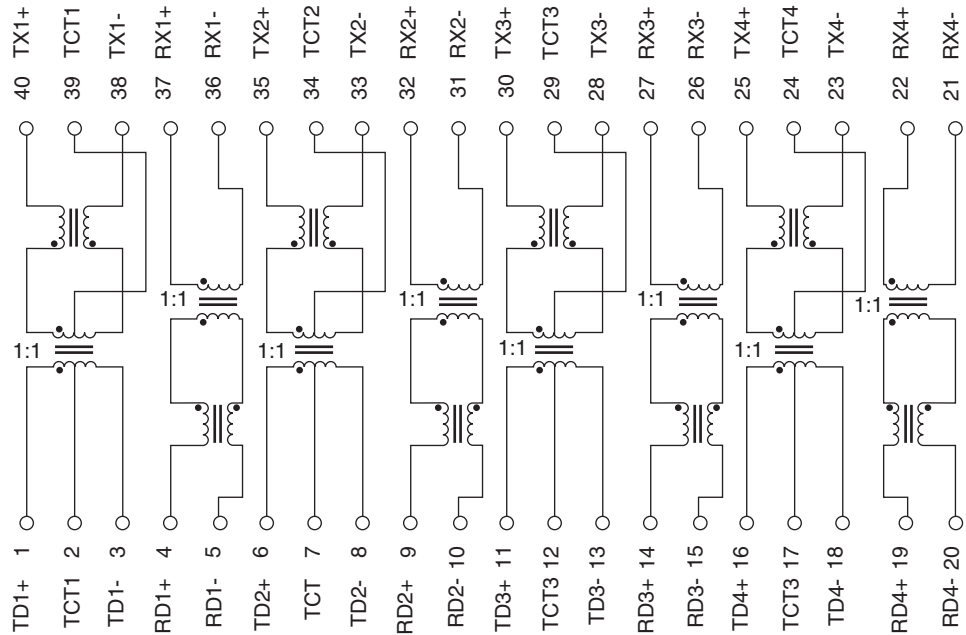
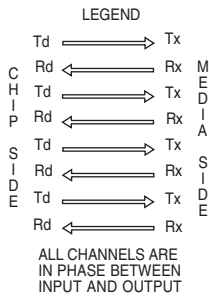


## For Use with Transceivers Requiring 1:1 Transmit and Receive Turns Ratios

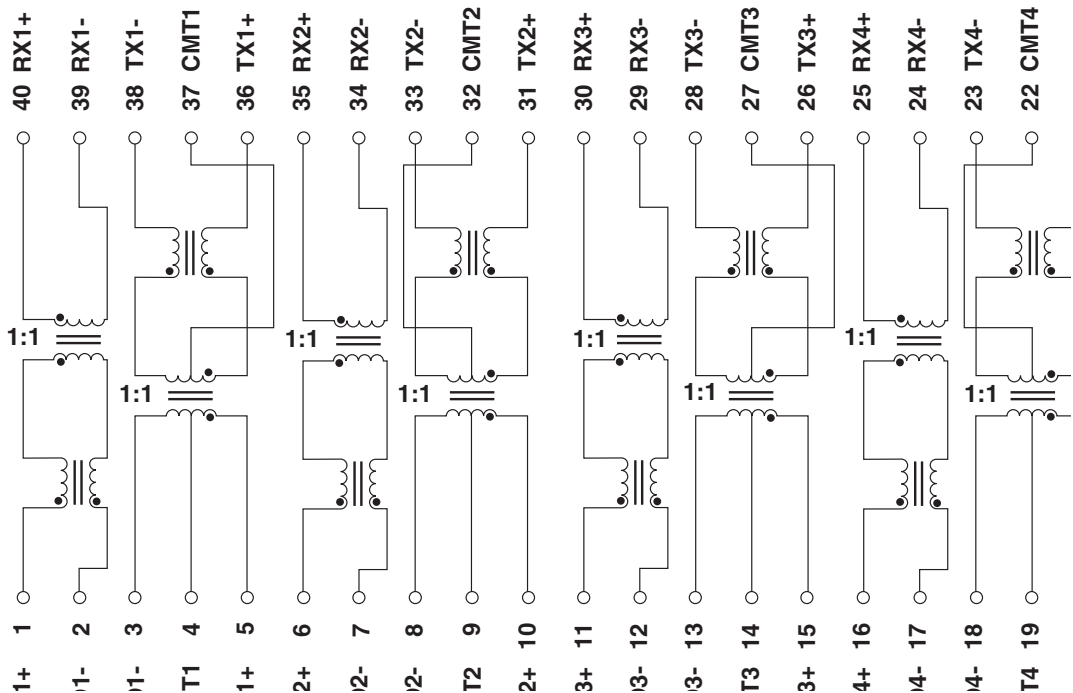
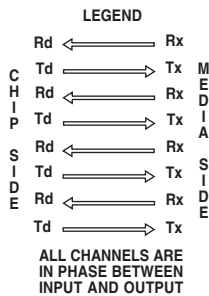
**Quad-Port Solutions:** The H1036L, H1044, H1053, H1060, H1062, and H1071NL are quad modules designed to support four single or double stacked RJ-45 connectors. Each has a different pinout for optimization in layout with various IC manufacturers.

### Schematics

#### H1036L, HX1236



#### H1044



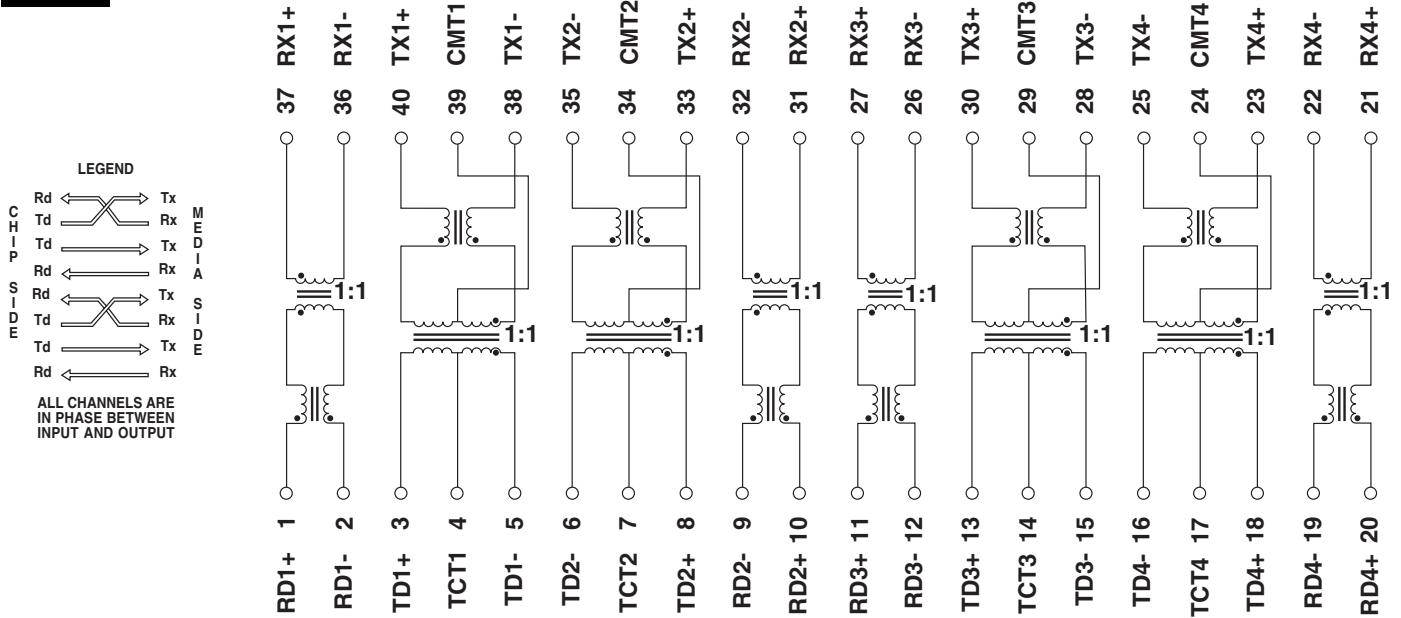
# 10/100BASE-TX QUAD PORT TRANSFORMER MODULES

For Use with Transceivers Requiring  
1:1 Transmit and Receive Turns Ratios

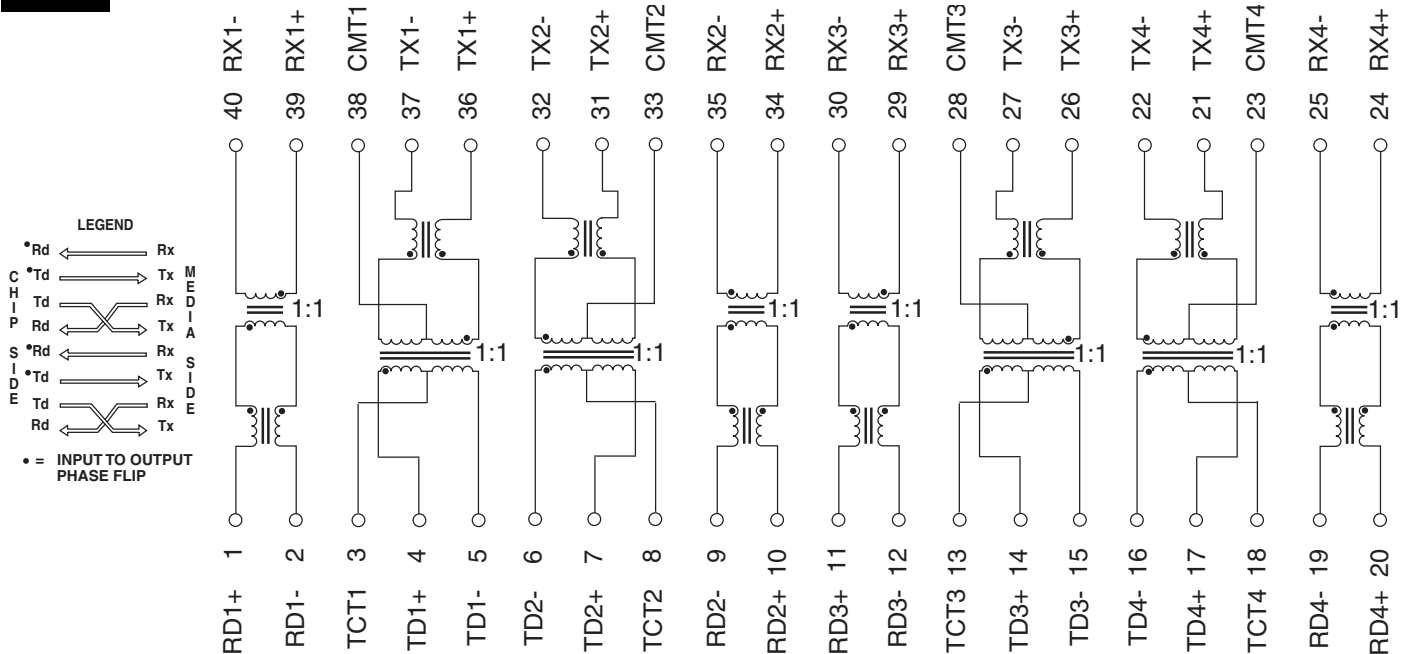


## Schematics

### H1053



### H1060



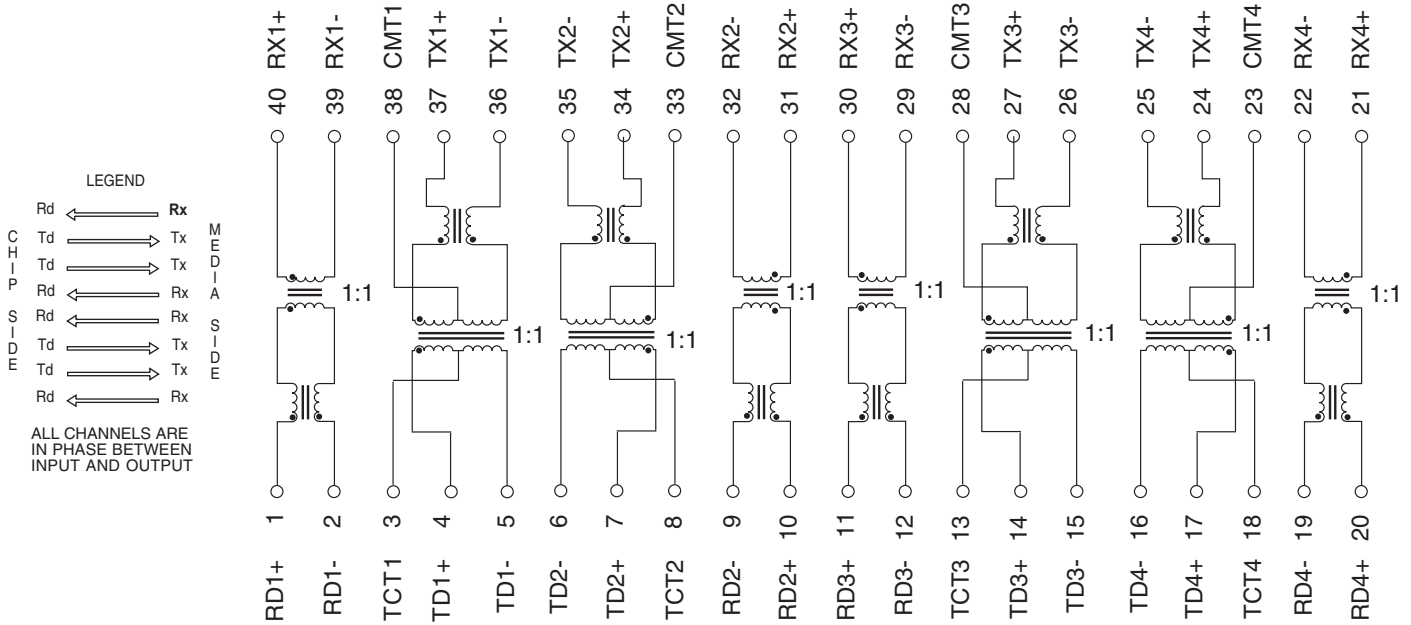
# 10/100BASE-TX QUAD PORT TRANSFORMER MODULES



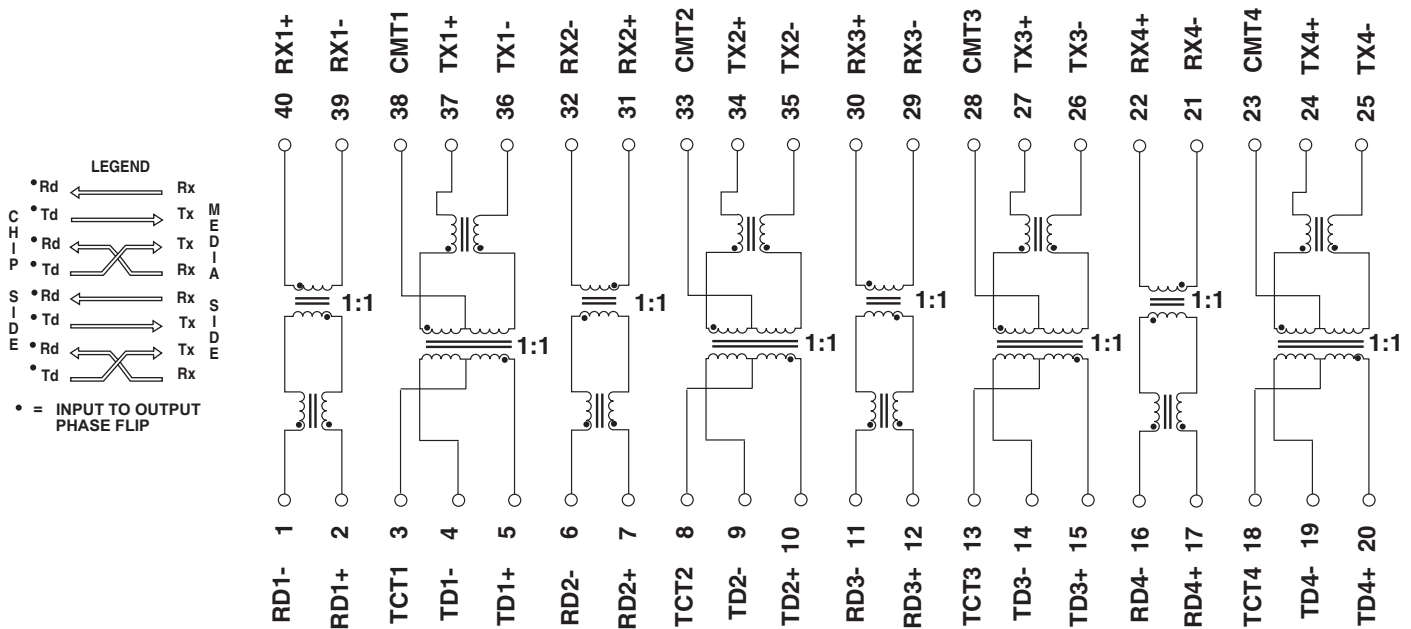
For Use with Transceivers Requiring  
1:1 Transmit and Receive Turns Ratios

## Schematics

### H1062, HX1203



### H1071NL

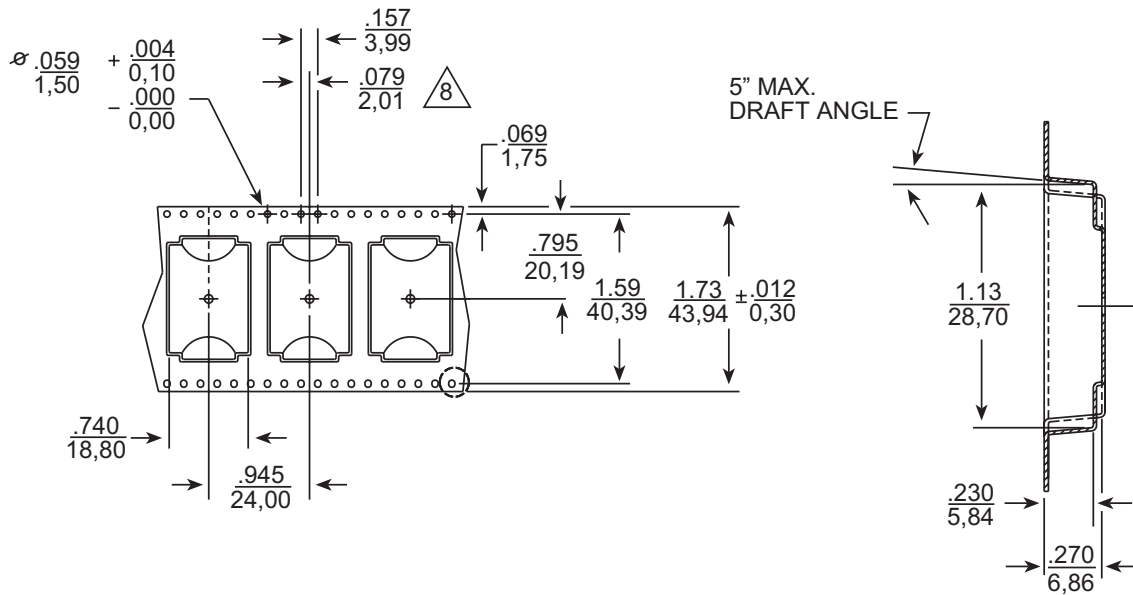


# 10/100BASE-TX QUAD PORT TRANSFORMER MODULES

## For Use with Transceivers Requiring 1:1 Transmit and Receive Turns Ratios



### Tape & Reel Specifications



### For More Information:

Pulse Worldwide Headquarters	Pulse Europe	Pulse China Headquarters	Pulse North China	Pulse South Asia	Pulse North Asia
12220 World Trade Dr. San Diego, CA 92128 U.S.A.	Einsteinstrasse 1 D-71083 Herrenberg Germany	B402, Shenzhen Tech-Innovation International Tenth Kejinan Rd. High-Tech Industrial Park Nanshan District, Shenzhen China	Room 1503 XinYin Building No. 888 YiShan Rd. Shanghai 200233 China	150 Kampong Ampat #07-01/02 KA Centre Singapore 368324	No. 26, Kao Ching Rd. Yang Mei Chen Taoyuan Hsien Taiwan R. O. C.
Tel: 858 674 8100 Fax: 858 674 8262	Tel: 49 7032 7806 0 Fax: 49 7032 7806 135	Tel: 86 755 33966678 Fax: 86 755 33966700	Tel: 86 21 54643211/2 Fax: 86 21 54643210	Tel: 65 6287 8998 Fax: 65 6280 0080	Tel: 886 3 4641811 Fax: 886 3 4641911

Performance warranty of products offered on this data sheet is limited to the parameters specified. Data is subject to change without notice. Other brand and product names mentioned herein may be trademarks or registered trademarks of their respective owners.

© Copyright, 2007. Pulse Engineering, Inc. All rights reserved.