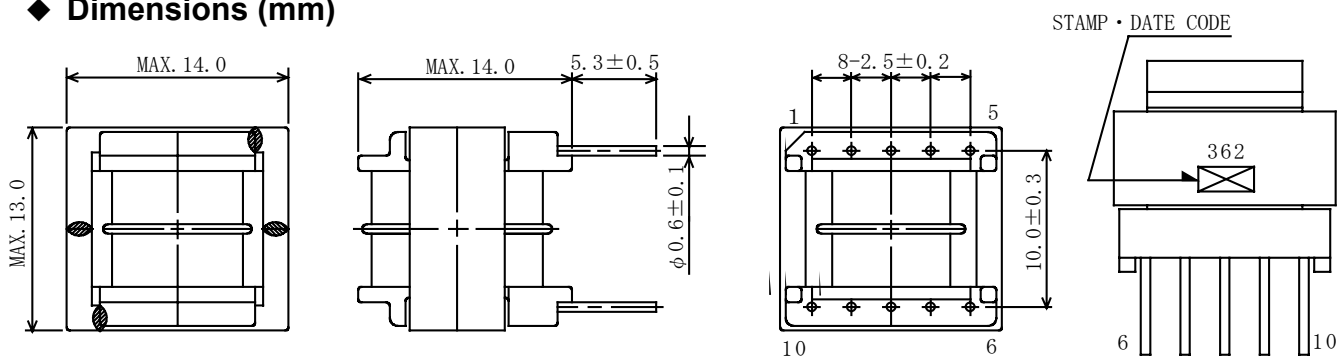
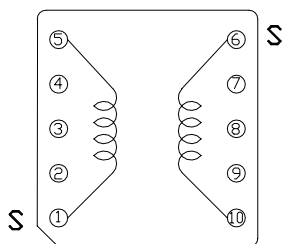


Type: EEH1313
◆ Product Description

- 14.0×13.0mm Max.(L×W),14.0mm Max. Height.
- EE core used for compatibility and competitive cost merit.


◆ Feature

- Correspondence with each ITU-T(Annex-A/E/C) standard.
- POTs splitter coils for ADSL splitter.
- RoHS Compliance.

◆ Dimensions (mm)

◆ Schematics(Bottom)


“S” is winding start.

◆ Specification(Part Number:SD13362)

		Measuring Condition
Inductance	3.6mH±5% Within	1kHz
D.C.R.	5.6Ω MAX.	at 20°C
Isolation Voltage (1-5)&(6-10)	A.C. 1500Vrms 1MIN.	50Hz/60Hz