

Type: EEH4130/MS

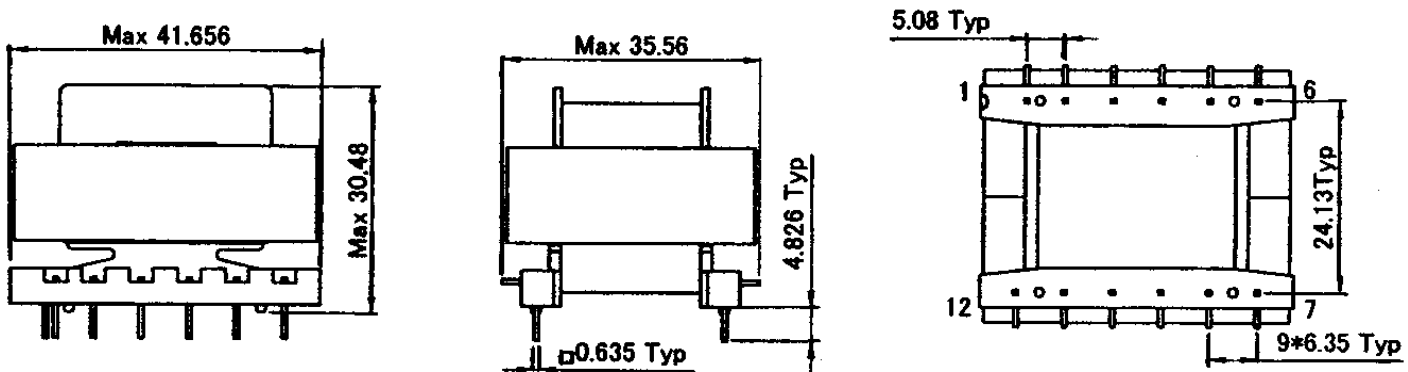
Product Description

- 41.656 × 35.56 mm Max.(L × W), 30.48mm Max. Height.
- In addition to the typical versions of parameters shown here, custom designs are available to meet your exact requirements

Feature

- Max. Operating frequency 500kHz. Max Operating Power 50.0W(500kHz)
- Ideally used in switching power supply etc.
- RoHS Compliance

Dimensions (mm)



Specification

Sample No. P01NZ-098

PIN TEST	FREQUENCY	DC CURRENT BIAS	INDUCTANCE SPEC.	Q OF COIL SPEC.
(2-12)	1KHz, 1Vrms	0 A	MIN 460 μH (TYP. 483 μH)	* 33 (ref)
		5 A	* MIN 400 μH (TYP. 440 μH)	* 28 (ref)
	40KHz, 1Vrms	0 A	* MIN 450 μH (TYP. 480 μH)	* 55 (ref)
		5 A	* MIN 390 μH (TYP. 435 μH)	* 65 (ref)
	100KHz, 1Vrms	0 A	* MIN 450 μH (TYP. 480 μH)	* 60 (ref)
		5 A	* MIN 390 μH (TYP. 435 μH)	* 65 (ref)
(1, 2-11, 12)	D. C. R.	* MAX 70mΩ		
HI-POT (W-C)		AC 1500Vrms 50/60Hz 1mA 2sec.		
1. TESTED AT 25 °C .				
2. INDUCTANCE AND Q OF COIL TESTING: IMPEDANCE ANALYZER HP4284A AND HP42841A(20A) OR EQUIVALENT.				