

Type: CEPH199

◆ **Product Description**

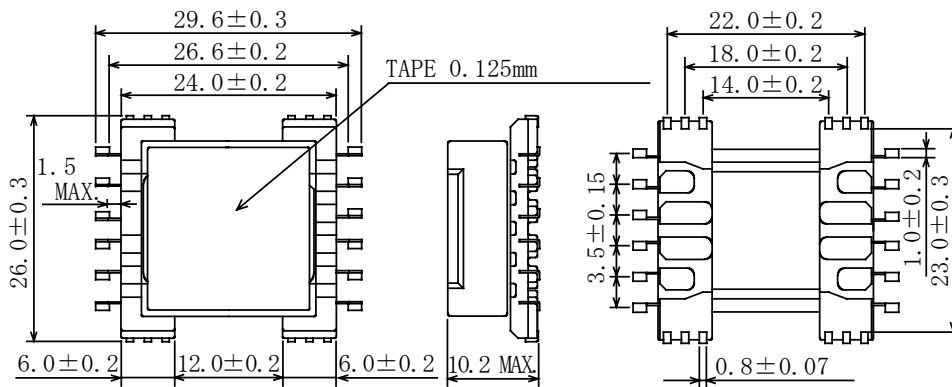
- 18.6 × 17.6mm Max.(L×W), 10.8mm Max. Height.
- Custom design is available.



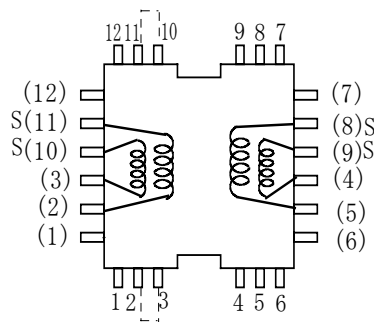
◆ **Feature**

- Max. Operating frequency 500kHz, Max. Operating Power 11.0W (500kHz), 7.5W(300kHz), 3.2W(100kHz).
- Ideally used in Portable equipment.
- RoHS Compliance.

◆ **Dimensions (mm)**



◆ **Schematics (Bottom)**



“ S ” indicates winding start.

◆ **Specification**

Sample No.	Inductance(2-11) (1kHz/1.0V)	D.C.R. (2-11)	Hi-pot (2,3,10,11-4,5,8,9) (50/60Hz)
5381-T078	15 μ H ± 25% within	200m Ω Max.	AC4400Vrms/1min.