

Type: CEFD1608

◆ **Product Description**

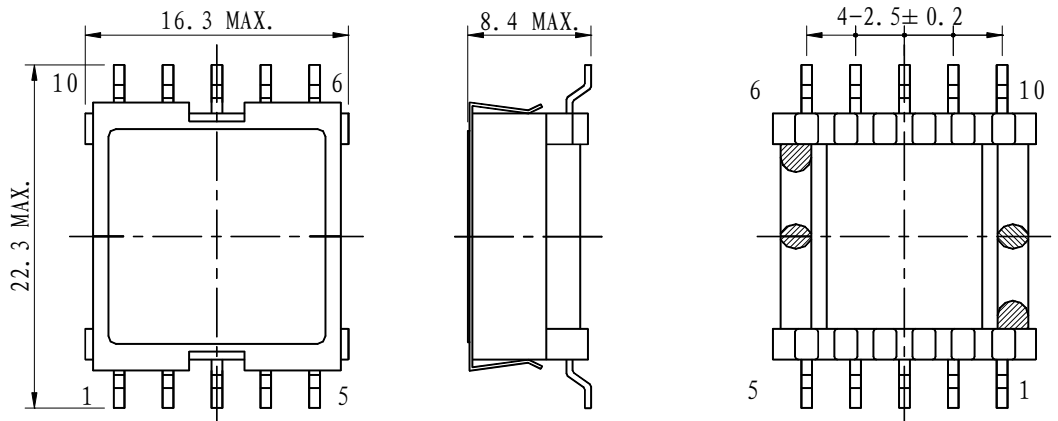
- 22.3 × 16.3mm Max.(L × W), 8.4mm Max. Height.
- Custom design is available.



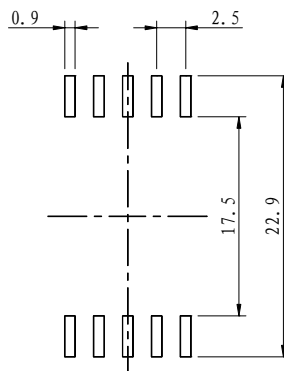
◆ **Feature**

- Max. Operating frequency 500KHz, Max. Operating Power 8.0W(500kHz).
- Ideally used in Portable equipment.
- Ideally used as PoE transformer.
- RoHS Compliance

◆ **Dimensions (mm)**

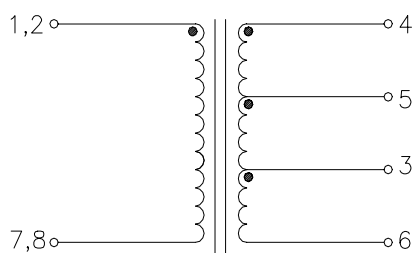


◆ **Land Pattern (mm)**

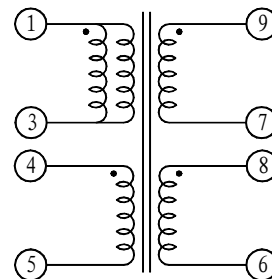


◆ **Schematics (Bottom)**

For General Power Transformer



For Power over Ethernet Transformer



“●” indicates winding start.

Type: CEFD1608
◆ Specification (For general power transformer)

Sample No.	Inductance (1,2-7,8) (100kHz/0.1V)	D.C.R.(1-8) (m Ω Max.)	Hi-pot (1,2,7,8-3,4,5,6) (50/60Hz)
P04NZ-013	21 μ H \pm 8%	500	AC1500Vrms/1s.

◆ Specification (For PoE transformer)

Sample No.	Turns Ratio (Pri:Sec:Aux)	Primary Inductance 100kHz/1V	Pri-Sec. Insulation	Leakage L (μ H Max.)	D.C.R. (m Ω Max.)			
					Pri.	Aux.	Sec.1	Sec.2
PS05-025	1:0.5:0.5:0.67	47.5 μ H \pm 15%	DC650V (0.5mA, 1s.)	0.7	190	410	60	60