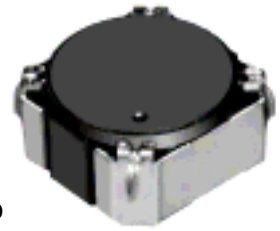
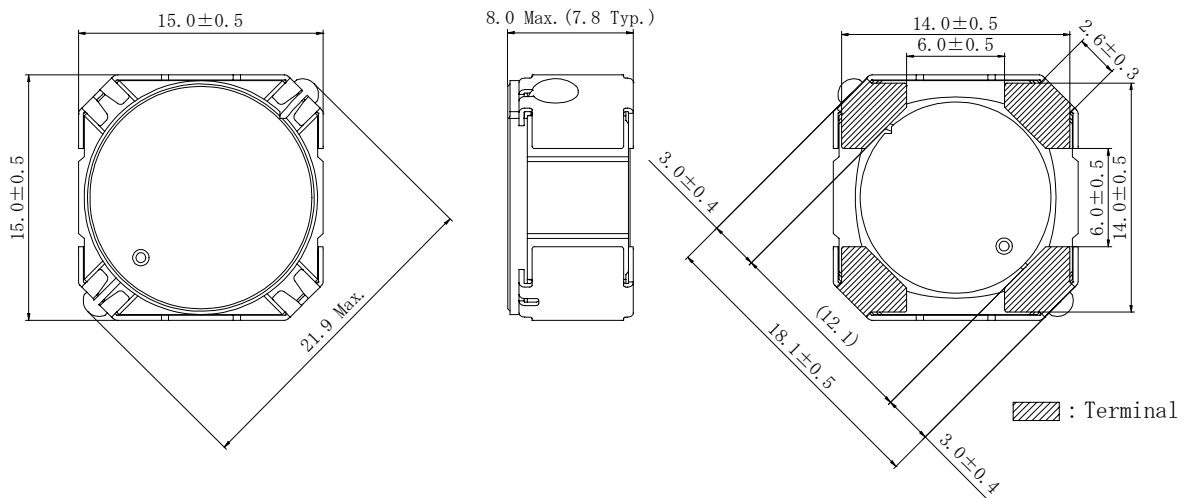
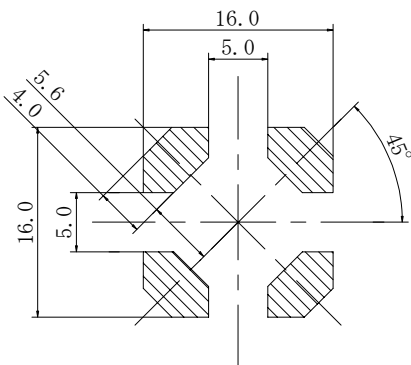
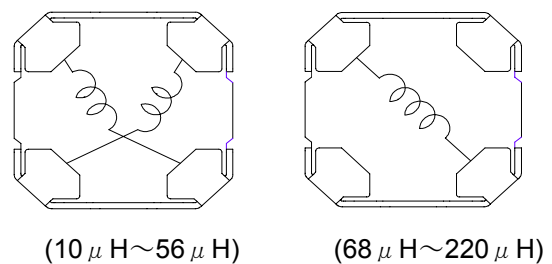


**Type: CDRH15D78/A**
**◆ Product Description**

- 15.5×15.5mm Max. (L×W) , 8.0 mm Max. Height.
- Inductance Range: 10~220μH
- Rated current range: 1.17~5.38A.
- In addition to the standards versions shown here, custom inductors are also available to meet your exact requirements.


**◆ Feature**

- Magnetically shielded construction.
- High reliable inductors, suitable to use in high temperature environment(125°C).
- Ideally for automotive applications as converter inductors.
- RoHS Compliance.

**◆ Dimensions (mm)**

**◆ Land Pattern (mm)**

**◆ Schematics(Bottom)**


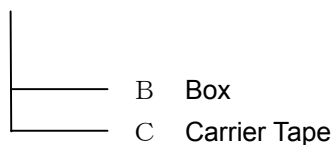
Please refer to the sales offices on our website for a representative near you

**Type: CDRH15D78/A**
**◆ Specification**

Part Name ※	Stamp	Inductance ( $\mu$ H) [Within] 100kHz/1V	D.C.R.(m $\Omega$ ) Max.(Typ.) (at 20°C)	Rated current (A)(at 125°C) ※1
CDRH15D78/ANP-1 $\emptyset$ $\emptyset$ M□	100M	10 $\pm$ 20%	16.3(13)	5.38
CDRH15D78/ANP-12 $\emptyset$ M□	120M	12 $\pm$ 20%	18.8(15)	4.42
CDRH15D78/ANP-15 $\emptyset$ M□	150M	15 $\pm$ 20%	20.0(16)	4.14
CDRH15D78/ANP-18 $\emptyset$ M□	180M	18 $\pm$ 20%	25.0(20)	3.90
CDRH15D78/ANP-22 $\emptyset$ M□	220M	22 $\pm$ 20%	27.5(22)	3.55
CDRH15D78/ANP-27 $\emptyset$ M□	270M	27 $\pm$ 20%	36.3(29)	3.20
CDRH15D78/ANP-33 $\emptyset$ M□	330M	33 $\pm$ 20%	37.5(30)	2.75
CDRH15D78/ANP-39 $\emptyset$ M□	390M	39 $\pm$ 20%	41.3(33)	2.68
CDRH15D78/ANP-47 $\emptyset$ M□	470M	47 $\pm$ 20%	43.8(35)	2.52
CDRH15D78/ANP-56 $\emptyset$ M□	560M	56 $\pm$ 20%	57.5(46)	2.26
CDRH15D78/ANP-68 $\emptyset$ M□	680M	68 $\pm$ 20%	67.5(54)	2.05
CDRH15D78/ANP-82 $\emptyset$ M□	820M	82 $\pm$ 20%	75.0(60)	1.87
CDRH15D78/ANP-1 $\emptyset$ 1M□	101M	100 $\pm$ 20%	100.0(80)	1.70
CDRH15D78/ANP-121MC□	121M	120 $\pm$ 20%	130.0(104)	1.55
CDRH15D78/ANP-151M□	151M	150 $\pm$ 20%	152.5(122)	1.38
CDRH15D78/ANP-181M□	181M	180 $\pm$ 20%	167.5(134)	1.28
CDRH15D78/ANP-221M□	221M	220 $\pm$ 20%	216.3(173)	1.17

**※ Description of part name**

C D R H 1 5 D 7 8 / A N P - 1  $\emptyset$   $\emptyset$  M □



※1 Rated current: The DC current at which the inductance decreases to 65 % of its nominal value or when  $\Delta t=30^{\circ}\text{C}$ , whichever is lower ( $T_a=125^{\circ}\text{C}$ ).