

BRIGHT LED ELECTRONICS CORP.

LED DISPLAY SPECIFICATION

●COMMODITY : 0.28”(7.10mm) SINGLE DIGIT LED DISPLAY

●DEVICE NUMBER : BS-C283ND

VERSION : 1.0 /2000.07.13

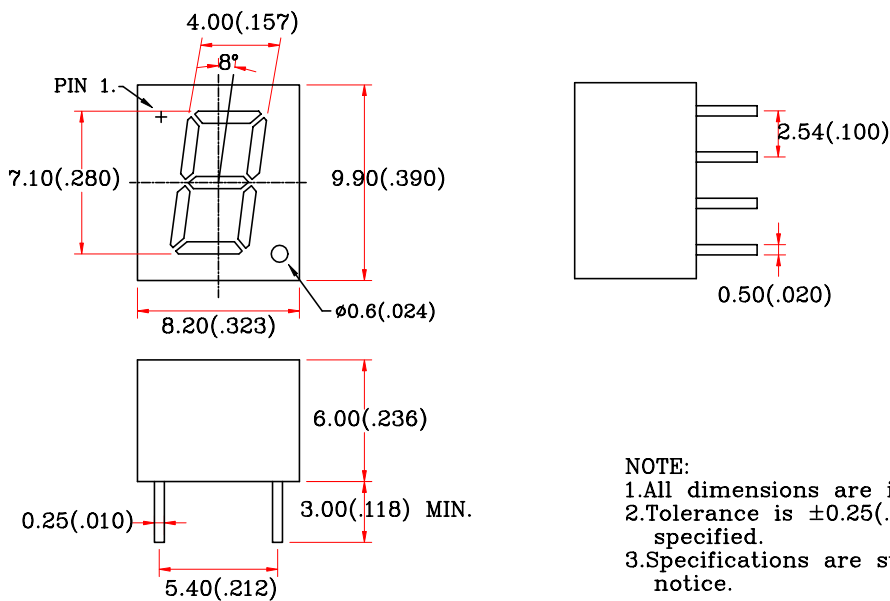
●ELECTRICAL AND OPTICAL CHARACTERISTICS (Ta=25°C)

Chip		Absolute Maximun Rating				Electro-optical Data (At 10mA)			Surface Color	Segment Color
Emitted Color	Peak Wave Length λP (nm)	$\Delta \lambda$ (nm)	Pd (mW)	If (mA)	Peak If(mA)	Vf(V)		Iv Typ. (mcd)		
						Typ.	Max.			
Yellow	585	35	80	30	150	2.1	2.5	2.2	Black	White

●ABSOLUTE MAXIMUN RATINGS (Ta=25°C)

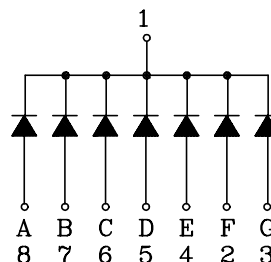
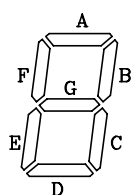
Reverse Voltage 5V
 Reverse Current (-Vr=5V) 50 μ A
 Operating Temperature Range -40°C ~ 85°C
 Storage Temperature Range -40°C ~ 100°C
 Lead Soldering Temperature (1/16” From Body).....260°C For 5 Seconds

PACKAGE DIMENSIONS:



NOTE:
 1.All dimensions are in millimeters(inches).
 2.Tolerance is $\pm 0.25(.01)$ " unless otherwise specified.
 3.Specifications are subject to change without notice.

PIN FUNCTIONS:



RELEASED:



ENGINEER:

