

TOSHIBA CMOS Digital Integrated Circuit Silicon Monolithic

TC74HC161AP, TC74HC161AF, TC74HC161AFN TC74HC163AP, TC74HC163AF, TC74HC163AFN

Synchronous Presetable 4-Bit Counter

TC74HC161AP/AF/AFN Binary, Asynchronous Clear

TC74HC163AP/AF/AFN Binary, Synchronous Clear

The TC74HC161A and 163A are high speed CMOS BINARY PRESETTABLE COUNTERS fabricated with silicon gate C²MOS technology.

They achieve the high speed operation similar to equivalent LSTTL while maintaining the CMOS low power dissipation.

The CK input is active on the rising edge. Both $\overline{\text{LOAD}}$ and $\overline{\text{CLR}}$ inputs are active on low logic level.

Presetting of their IC's is synchronous to the rising edge of CK.

The clear function of the TC74HC163A is synchronous to CK, while the TC74HC161A is cleared asynchronously.

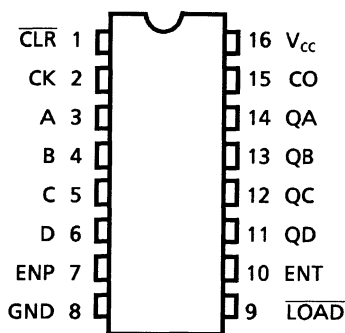
Two enable inputs (ENP and ENT) and CO are provided to enable easy cascading of counters, which facilitates easy implementation of n-bit counters without using external gates.

All inputs are equipped with protection circuits against static discharge or transient excess voltage.

Features

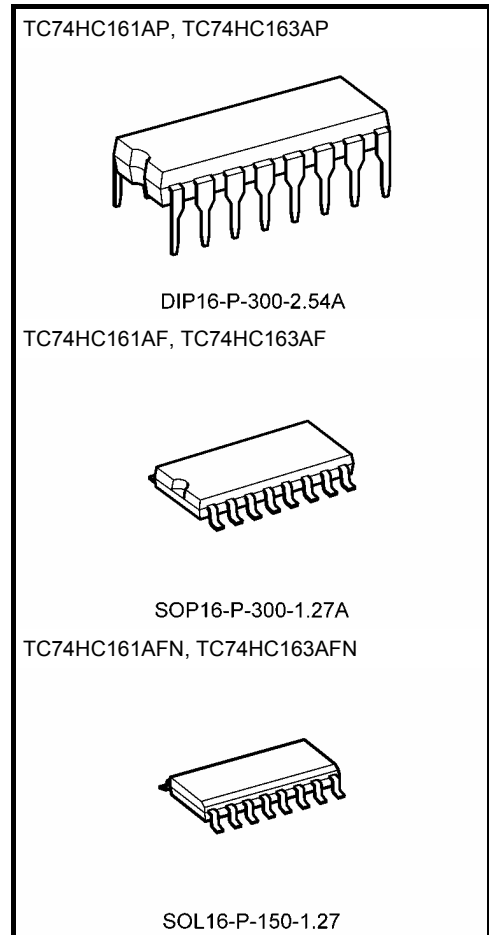
- High speed: $f_{\text{max}} = 63 \text{ MHz}$ (typ.) at $V_{\text{CC}} = 5 \text{ V}$
- Low power dissipation: $I_{\text{CC}} = 4 \mu\text{A}$ (max) at $T_a = 25^\circ\text{C}$
- High noise immunity: $V_{\text{NIH}} = V_{\text{NIL}} = 28\% V_{\text{CC}}$ (min)
- Output drive capability: 10 LSTTL loads
- Symmetrical output impedance: $|I_{\text{OH}}| = I_{\text{OL}} = 4 \text{ mA}$ (min)
- Balanced propagation delays: $t_{\text{pLH}} \approx t_{\text{pHL}}$
- Wide operating voltage range: $V_{\text{CC}} (\text{opr}) = 2 \text{ to } 6 \text{ V}$
- Pin and function compatible with 74LS161, 163

Pin Assignment



(TOP VIEW)

Note: xxxFN (JEDEC SOP) is not available in Japan.

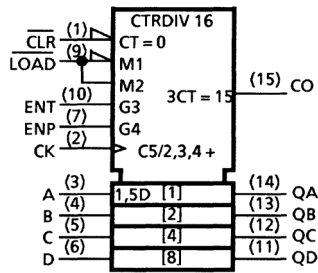


Weight

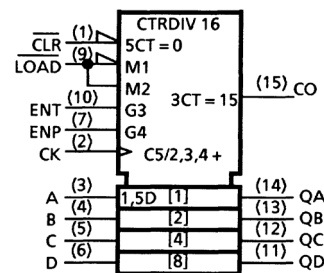
DIP16-P-300-2.54A	: 1.00 g (typ.)
SOP16-P-300-1.27A	: 0.18 g (typ.)
SOL16-P-150-1.27	: 0.13 g (typ.)

IEC Logic Symbol

TC74HC161A



TC74HC163A



Truth Table

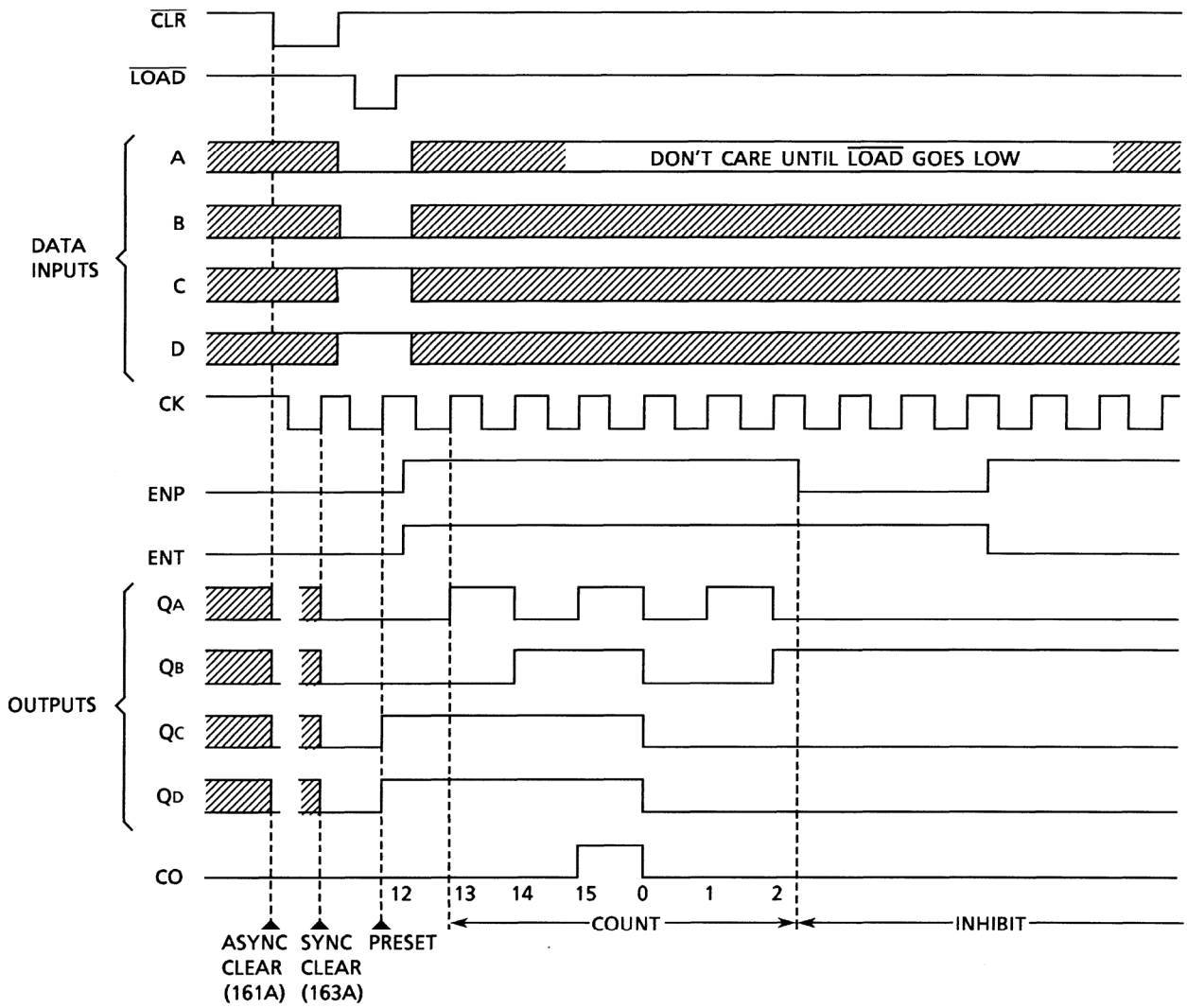
TC74HC161A					TC74HC163A					Outputs				Function
Inputs					Inputs					QA	QB	QC	QD	
$\overline{\text{CLR}}$	$\overline{\text{LD}}$	ENP	ENT	CK	$\overline{\text{CLR}}$	$\overline{\text{LD}}$	ENP	ENT	CK	QA	QB	QC	QD	
L	X	X	X	X	L	X	X	X	\uparrow	L	L	L	L	Reset to "0"
H	L	X	X	\uparrow	H	L	X	X	\uparrow	A	B	C	D	Preset Data
H	H	X	L	\uparrow	H	H	X	L	\uparrow	No Change				No Count
H	H	L	X	\uparrow	H	H	L	X	\uparrow	No Change				No Count
H	H	H	H	\uparrow	H	H	H	H	\uparrow	Count Up				Count
H	X	X	X	\downarrow	X	X	X	X	\downarrow	No Change				No Count

X: Don't care

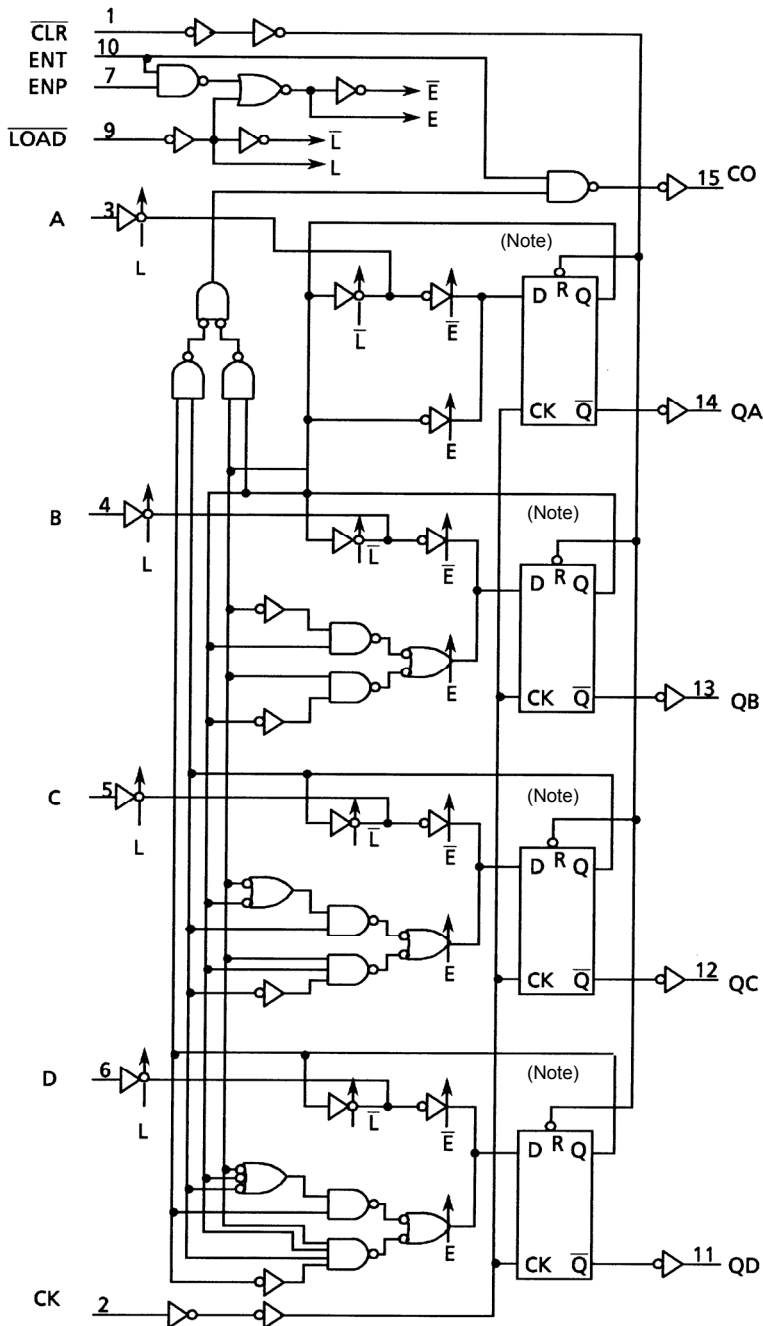
A, B, C, D: Logic level of data inputs

Carry: Carry = ENT · QA · QB · QC · QD

Timing Chart



System Diagram



Note: Truth table of internal F/F

TC74HC161A					TC74HC163A				
D	CK	R	Q	\bar{Q}	D	CK	R	Q	\bar{Q}
X	X	L	L	H	X	\uparrow	L	L	H
L	\uparrow	H	L	H	L	\uparrow	H	L	H
H	\uparrow	H	H	L	H	\uparrow	H	H	L
X	\downarrow	H	No Change		L	\downarrow	H	No Change	

X: Don't care

Absolute Maximum Ratings (Note 1)

Characteristics	Symbol	Rating	Unit
Supply voltage range	V_{CC}	-0.5 to 7	V
DC input voltage	V_{IN}	-0.5 to $V_{CC} + 0.5$	V
DC output voltage	V_{OUT}	-0.5 to $V_{CC} + 0.5$	V
Input diode current	I_{IK}	± 20	mA
Output diode current	I_{OK}	± 20	mA
DC output current	I_{OUT}	± 25	mA
DC V_{CC} /ground current	I_{CC}	± 50	mA
Power dissipation	P_D	500 (DIP) (Note 2)/180 (SOP)	mW
Storage temperature	T_{stg}	-65 to 150	°C

Note 1: Exceeding any of the absolute maximum ratings, even briefly, lead to deterioration in IC performance or even destruction.

Using continuously under heavy loads (e.g. the application of high temperature/current/voltage and the significant change in temperature, etc.) may cause this product to decrease in the reliability significantly even if the operating conditions (i.e. operating temperature/current/voltage, etc.) are within the absolute maximum ratings and the operating ranges.

Please design the appropriate reliability upon reviewing the Toshiba Semiconductor Reliability Handbook ("Handling Precautions"/"Derating Concept and Methods") and individual reliability data (i.e. reliability test report and estimated failure rate, etc).

Note 2: 500 mW in the range of $T_a = -40$ to 65°C . From $T_a = 65$ to 85°C a derating factor of -10 mW/°C shall be applied until 300 mW.

Operating Ranges (Note)

Characteristics	Symbol	Rating	Unit
Supply voltage	V_{CC}	2 to 6	V
Input voltage	V_{IN}	0 to V_{CC}	V
Output voltage	V_{OUT}	0 to V_{CC}	V
Operating temperature	T_{opr}	-40 to 85	°C
Input rise and fall time	t_r, t_f	0 to 1000 ($V_{CC} = 2.0$ V) 0 to 500 ($V_{CC} = 4.5$ V) 0 to 400 ($V_{CC} = 6.0$ V)	ns

Note: The operating ranges must be maintained to ensure the normal operation of the device. Unused inputs must be tied to either VCC or GND.

Electrical Characteristics

DC Characteristics

Characteristics	Symbol	Test Condition		Ta = 25°C			Ta = -40 to 85°C		Unit	
				V _{CC} (V)	Min	Typ.	Max	Min		Max
High-level input voltage	V _{IH}	—		2.0	1.50	—	—	1.50	—	V
				4.5	3.15	—	—	3.15	—	
				6.0	4.20	—	—	4.20	—	
Low-level input voltage	V _{IL}	—		2.0	—	—	0.50	—	0.50	V
				4.5	—	—	1.35	—	1.35	
				6.0	—	—	1.80	—	1.80	
High-level output voltage	V _{OH}	V _{IN} = V _{IH} or V _{IL}	I _{OH} = -20 μA	2.0	1.9	2.0	—	1.9	—	V
				4.5	4.4	4.5	—	4.4	—	
				6.0	5.9	6.0	—	5.9	—	
			I _{OH} = -4 mA	4.5	4.18	4.31	—	4.13	—	
				6.0	5.68	5.80	—	5.63	—	
Low-level output voltage	V _{OL}	V _{IN} = V _{IH} or V _{IL}	I _{OL} = 20 μA	2.0	—	0.0	0.1	—	0.1	V
				4.5	—	0.0	0.1	—	0.1	
				6.0	—	0.1	0.1	—	0.1	
			I _{OL} = 4 mA	4.5	—	0.17	0.26	—	0.33	
				6.0	—	0.18	0.26	—	0.33	
I _{OL} = 5.2 mA	4.5	—	0.17	0.26	—	0.33				
	6.0	—	0.18	0.26	—	0.33				
Input leakage current	I _{IN}	V _{IN} = V _{CC} or GND		6.0	—	—	±0.1	—	±1.0	μA
Quiescent supply current	I _{CC}	V _{IN} = V _{CC} or GND		6.0	—	—	4.0	—	40.0	μA

Timing Requirements (input: $t_r = t_f = 6$ ns)

Characteristics	Symbol	Test Condition	Ta = 25°C			Ta = -40 to 85°C	Unit
			V _{CC} (V)	Typ.	Limit	Limit	
Minimum pulse width (CK)	t_W (H) t_W (L)	Figure 1	2.0	—	75	95	ns
			4.5	—	15	19	
			6.0	—	13	16	
Minimum pulse width ($\overline{\text{CLR}}$) (Note 1)	t_W (L)	Figure 4	2.0	—	75	95	ns
			4.5	—	15	19	
			6.0	—	13	16	
Minimum set-up time ($\overline{\text{LOAD}}$, ENP, ENT)	t_s	Figure 2, Figure 3	2.0	—	100	125	ns
			4.5	—	20	25	
			6.0	—	17	21	
Minimum set-up time (A, B, C, D)	t_s	Figure 2	2.0	—	75	95	ns
			4.5	—	15	19	
			6.0	—	13	16	
Minimum set-up time ($\overline{\text{CLR}}$) (Note 2)	t_s	Figure 5	2.0	—	75	95	ns
			4.5	—	15	19	
			6.0	—	13	16	
Minimum hold time	t_h	Figure 2, Figure 3, Figure 5	2.0	—	0	0	ns
			4.5	—	0	0	
			6.0	—	0	0	
Minimum removal time ($\overline{\text{CLR}}$) (Note 1)	t_{rem}	Figure 4	2.0	—	50	65	ns
			4.5	—	10	13	
			6.0	—	9	11	
Clock frequency	f	—	2.0	—	6	5	MHz
			4.5	—	31	25	
			6.0	—	36	29	

Note 1: For TC74HC161A only

Note 2: For TC74HC163A only

AC Characteristics ($C_L = 15 \text{ pF}$, $V_{CC} = 5 \text{ V}$, $T_a = 25^\circ\text{C}$, input: $t_r = t_f = 6 \text{ ns}$)

Characteristics	Symbol	Test Condition	Min	Typ.	Max	Unit
Output transition time	t_{TLH} t_{THL}	Figure 1	—	4	8	ns
Propagation delay time (CK-Q)	t_{pLH} t_{pHL}	Figure 1	—	13	21	ns
Propagation delay time (CK-CO) [count mode]	t_{pLH} t_{pHL}	Figure 1	—	16	26	ns
Propagation delay time (CK-CO) [preset mode]	t_{pLH}	Figure 2	—	18	30	ns
	t_{pHL}		—	20	35	
Propagation delay time (ENT-CO)	t_{pLH} t_{pHL}	Figure 6	—	10	17	ns
Propagation delay time ($\overline{\text{CLR}} - Q$) (Note)	t_{pHL}	Figure 4	—	17	26	ns
Propagation delay time ($\overline{\text{CLR}} - CO$) (Note)	t_{pHL}	Figure 4	—	20	35	ns
Maximum clock frequency	f_{max}	—	36	63	—	MHz

Note: For TC74HC161A only

AC Characteristics (C_L = 50 pF, input: t_r = t_f = 6 ns)

Characteristics	Symbol	Test Condition	Ta = 25°C			Ta = -40 to 85°C		Unit	
			V _{CC} (V)	Min	Typ.	Max	Min		Max
Output transition time	t _{TLH} t _{THL}	—	2.0	—	25	75	—	95	ns
			4.5	—	7	15	—	19	
			6.0	—	6	13	—	16	
Propagation delay time (CK-Q)	t _{pLH} t _{pHL}	Figure 1	2.0	—	48	125	—	155	ns
			4.5	—	16	25	—	31	
			6.0	—	14	21	—	26	
Propagation delay time (CK-CO) [count mode]	t _{pLH} t _{pHL}	Figure 1	2.0	—	57	150	—	190	ns
			4.5	—	19	30	—	38	
			6.0	—	16	26	—	33	
Propagation delay time (CK-CO) [preset mode]	t _{pLH}	Figure 2	2.0	—	66	175	—	220	ns
			4.5	—	22	35	—	44	
			6.0	—	19	30	—	37	
	t _{pHL}		2.0	—	72	200	—	250	
			4.5	—	24	40	—	50	
			6.0	—	20	34	—	43	
Propagation delay time (ENT-CO)	t _{pLH} t _{pHL}	Figure 6	2.0	—	39	100	—	125	ns
			4.5	—	13	20	—	25	
			6.0	—	11	17	—	21	
Propagation delay time ($\overline{\text{CLR}}$ -Q) (Note 2)	t _{pHL}	Figure 4	2.0	—	60	150	—	190	ns
			4.5	—	20	30	—	38	
			6.0	—	17	26	—	33	
Propagation delay time ($\overline{\text{CLR}}$ -CO) (Note 2)	t _{pHL}	Figure 4	2.0	—	72	200	—	250	ns
			4.5	—	24	40	—	50	
			6.0	—	20	34	—	43	
Maximum clock frequency	f _{max}	—	2.0	6	18	—	5	—	MHz
			4.5	31	53	—	25	—	
			6.0	36	62	—	29	—	
Input capacitance	C _{IN}	—	—	5	10	—	10	pF	
Power dissipation capacitance	C _{PD} (Note 1)	—	—	34	—	—	—	pF	

Note 1: C_{PD} is defined as the value of the internal equivalent capacitance which is calculated from the operating current consumption without load.

Average operating current can be obtained by the equation:

$$I_{CC}(\text{opr}) = C_{PD} \cdot V_{CC} \cdot f_{IN} + I_{CC}$$

When the outputs drive a capacitive load, total current consumption is the sum of C_{PD}, and ΔI_{CC} which is obtained from the following formula:

In case of TC74HC161A/163A:

$$\Delta I_{CC} = f_{CK} \cdot V_{CC} \left(\frac{C_{QA}}{2} + \frac{C_{QB}}{4} + \frac{C_{QC}}{8} + \frac{C_{QD}}{16} + \frac{C_{CO}}{16} \right)$$

C_{QA}~C_{QD} and C_{CO} are the capacitances at QA~QD and CO, respectively.

f_{CK} is the input frequency of the CK.

Note 2: For TC74HC161A only

Switching Characteristics Test Waveform

Count Mode

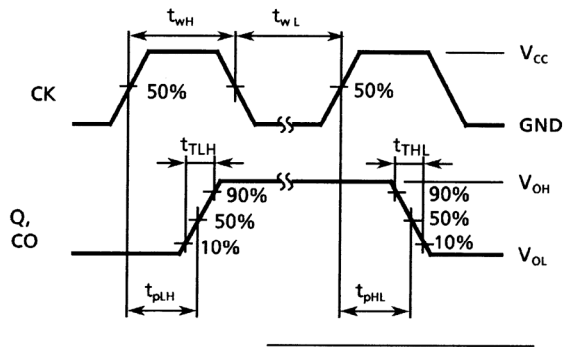


Figure 1

Clear Mode (TC74HC161A)

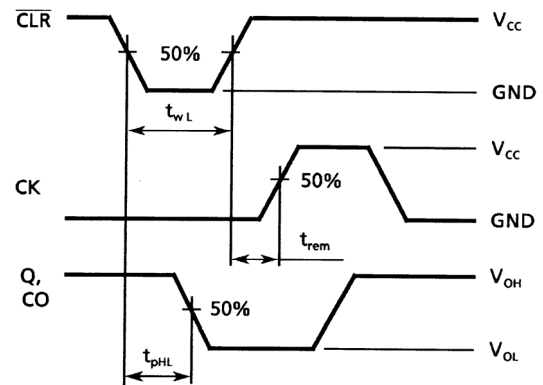


Figure 4

Preset Mode

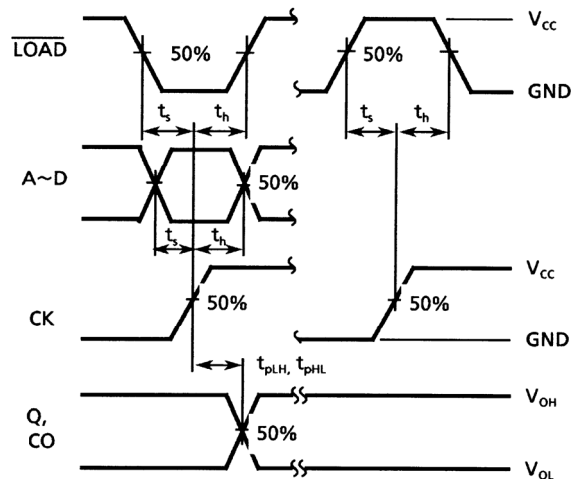


Figure 2

Clear Mode (TC74HC163A)

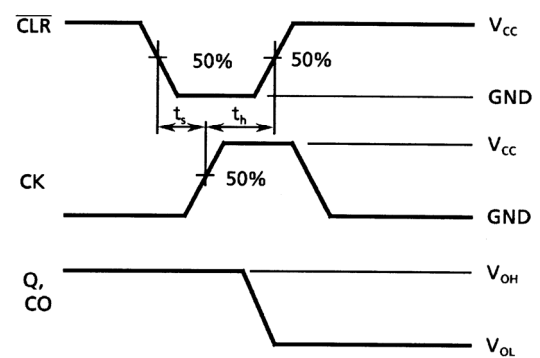


Figure 5

Count Enable Mode

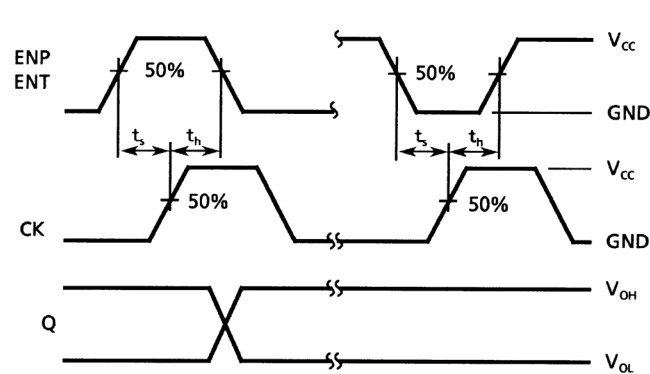


Figure 3

Cascade Mode (fix maximum count)

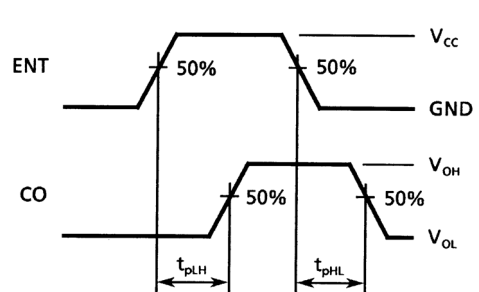
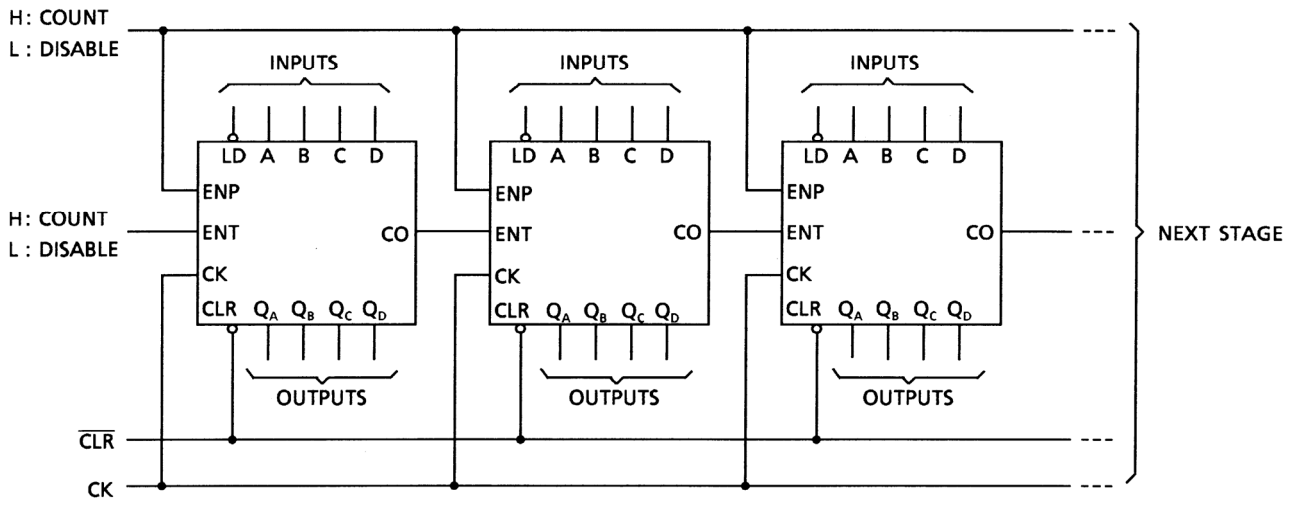


Figure 6

Typical Application

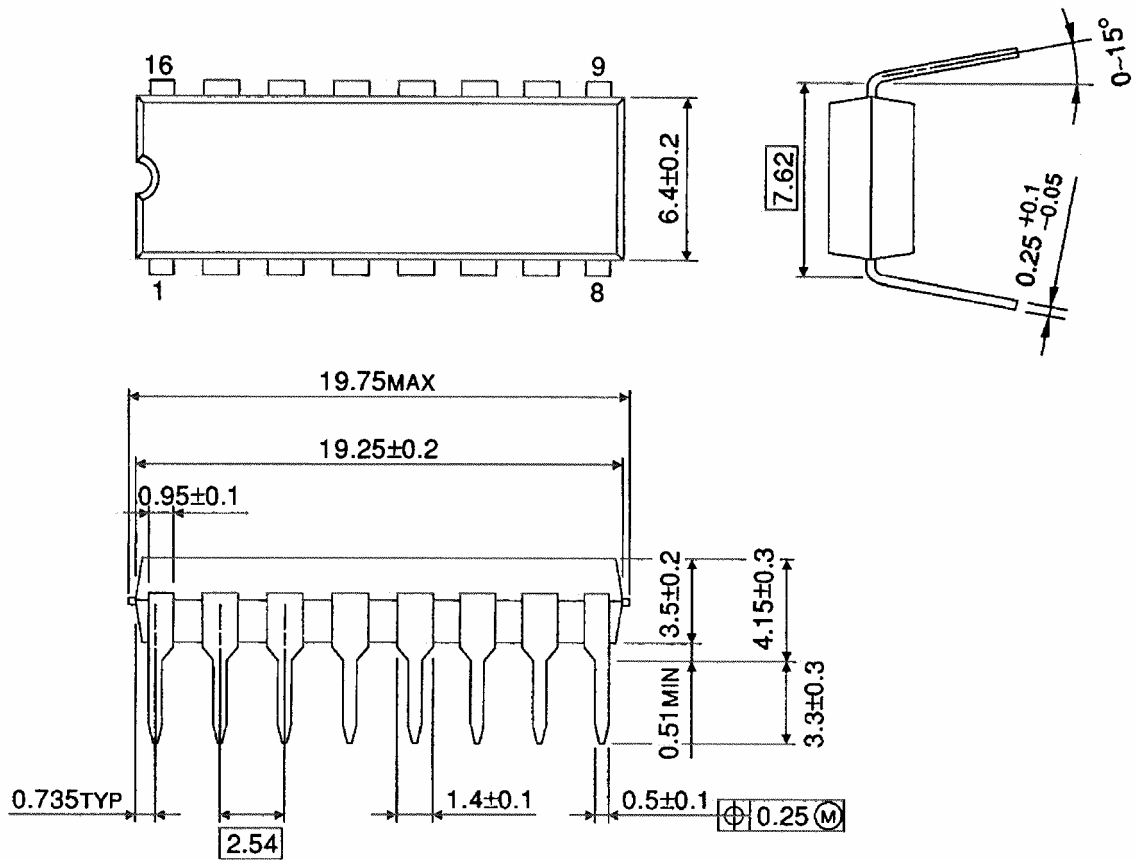
Parallel Carry N-Bit Counter



Package Dimensions

DIP16-P-300-2.54A

Unit : mm

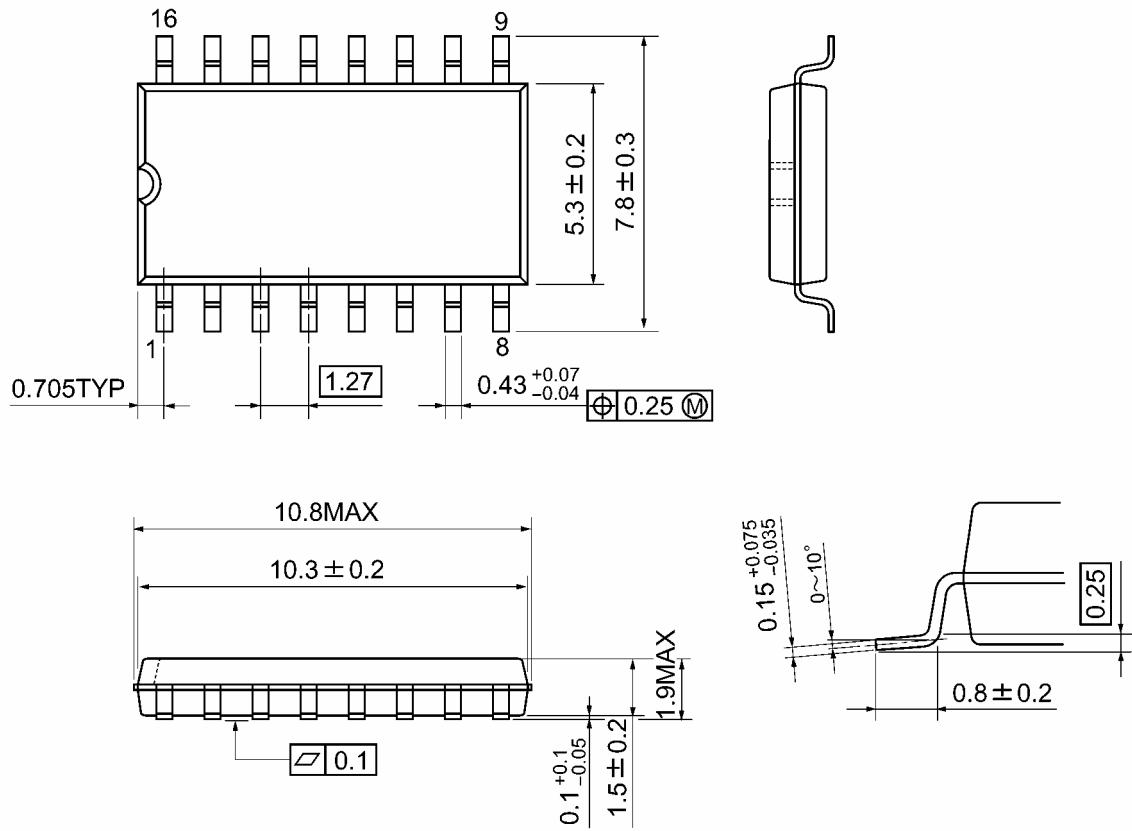


Weight: 1.00 g (typ.)

Package Dimensions

SOP16-P-300-1.27A

Unit: mm

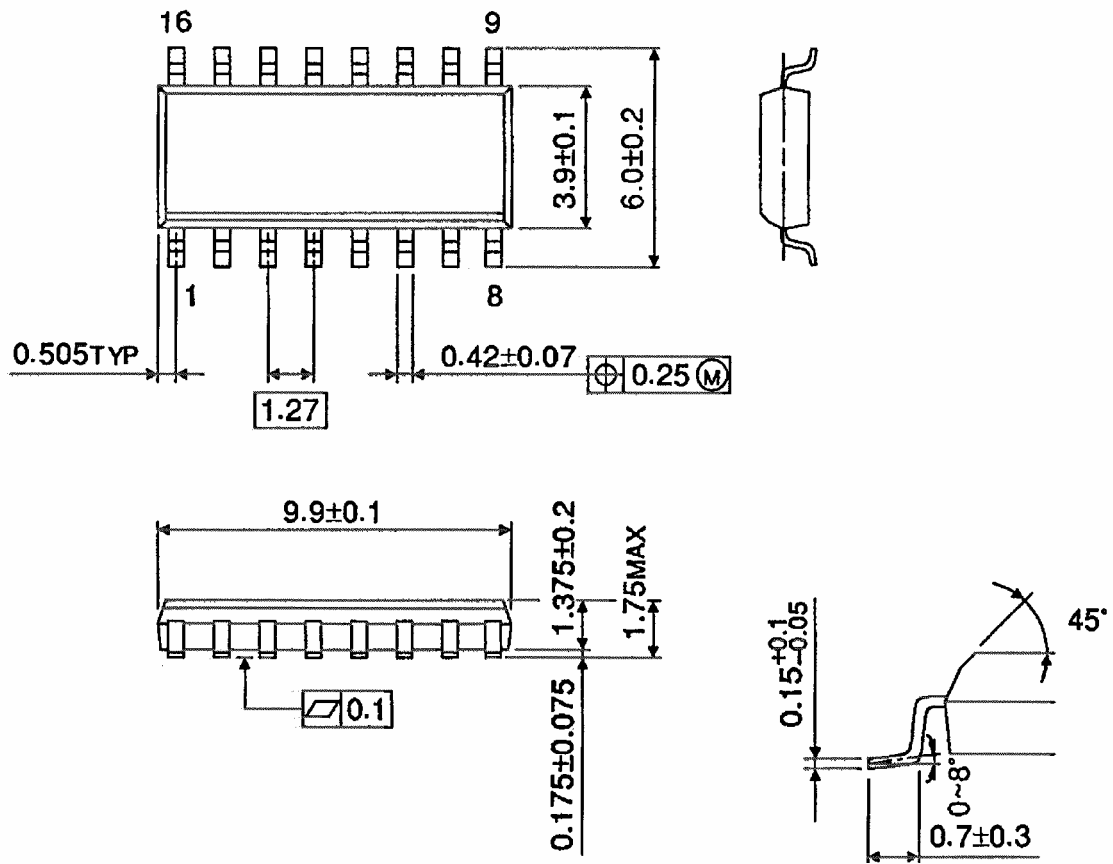


Weight: 0.18 g (typ.)

Package Dimensions (Note)

SOL16-P-150-1.27

Unit : mm



Note: This package is not available in Japan.

Weight: 0.13 g (typ.)

RESTRICTIONS ON PRODUCT USE

20070701-EN GENERAL

- The information contained herein is subject to change without notice.
- TOSHIBA is continually working to improve the quality and reliability of its products. Nevertheless, semiconductor devices in general can malfunction or fail due to their inherent electrical sensitivity and vulnerability to physical stress. It is the responsibility of the buyer, when utilizing TOSHIBA products, to comply with the standards of safety in making a safe design for the entire system, and to avoid situations in which a malfunction or failure of such TOSHIBA products could cause loss of human life, bodily injury or damage to property.
In developing your designs, please ensure that TOSHIBA products are used within specified operating ranges as set forth in the most recent TOSHIBA products specifications. Also, please keep in mind the precautions and conditions set forth in the "Handling Guide for Semiconductor Devices," or "TOSHIBA Semiconductor Reliability Handbook" etc.
- The TOSHIBA products listed in this document are intended for usage in general electronics applications (computer, personal equipment, office equipment, measuring equipment, industrial robotics, domestic appliances, etc.). These TOSHIBA products are neither intended nor warranted for usage in equipment that requires extraordinarily high quality and/or reliability or a malfunction or failure of which may cause loss of human life or bodily injury ("Unintended Usage"). Unintended Usage include atomic energy control instruments, airplane or spaceship instruments, transportation instruments, traffic signal instruments, combustion control instruments, medical instruments, all types of safety devices, etc.. Unintended Usage of TOSHIBA products listed in this document shall be made at the customer's own risk.
- The products described in this document shall not be used or embedded to any downstream products of which manufacture, use and/or sale are prohibited under any applicable laws and regulations.
- The information contained herein is presented only as a guide for the applications of our products. No responsibility is assumed by TOSHIBA for any infringements of patents or other rights of the third parties which may result from its use. No license is granted by implication or otherwise under any patents or other rights of TOSHIBA or the third parties.
- Please contact your sales representative for product-by-product details in this document regarding RoHS compatibility. Please use these products in this document in compliance with all applicable laws and regulations that regulate the inclusion or use of controlled substances. Toshiba assumes no liability for damage or losses occurring as a result of noncompliance with applicable laws and regulations.