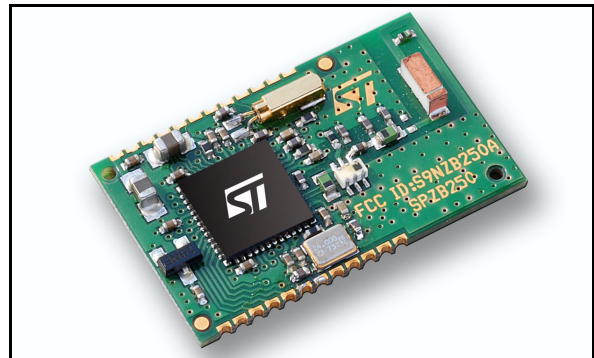


Features

- Integrated 2.4GHz, IEEE 802.15.4-compliant transceiver
 - 0 dBm nominal TX output power
 - -92 dBm RX sensitivity
 - + 2 dBm in boost mode
 - RX filtering for co-existence with IEEE 802.11g and Bluetooth devices
 - Integrated VCO and loop filter
- Integrated IEEE 802.15.4 PHY and MAC
- 128 kB Embedded Flash and 5 kB integrated SRAM for program and data storage
- 17 GPIO with alternate functions:
 - GPIOs
 - UART
 - I²C
 - SPI
 - ADC
- 2 16-bit general purpose timers; one 16-bit sleep timer
- ADC , sigma-delta converter with 12 bit resolution
- On board 24 MHz stable crystal
- Selectable integrated RC oscillator (typ 10 kHz) or 32.768 kHz crystal for low power operation
- 1 μ A power consumption in deep sleep mode
- Watchdog timer and power on reset
- Pins available for Non-intrusive debug interface (SIF)
- Single supply voltage 2.1 to 3.6 Vdc
- CE compliant
- FCC compliant FCC ID:S9NZB250A

Applications

- Industrial controls
- Sensor networking
- Monitoring of remote systems
- Home applications
- Security systems
- Lighting controls



Description

SPZB250 is a low power consumption ZigBee® module based on SN250 ZigBee® Network Processor which integrates a 2.4GHz, IEEE 802.15.4-compliant transceiver as well as IEEE 802.15.4 PHY and MAC. It enables OEMs to easily add wireless networking capability to any electronic device. Such a module is a very comprehensive solution to build sensors with meshing and self healing capability as required in a WSN scenario.

24 MHz high stability crystal is available aboard the module to perform the timing requirements as per ZigBee® specifications. An additional 32.768 kHz crystal is provided for low power operation. A single supply voltage is requested to power the module. An integrated 2.5 GHz specific Murata antenna is aboard. The voltage supply also determines the I/O ports level allowing an easy interface with the host system.

128 kB Flash and 5 kB of static RAM are available for data and program storage.

To support user defined applications, a number of peripherals such as GPIO, UART, I2C, ADC and general purpose timers are available and user selectable.

The deep sleep mode with power consumption less than 1 μ A allows applications where the battery life is a key point.

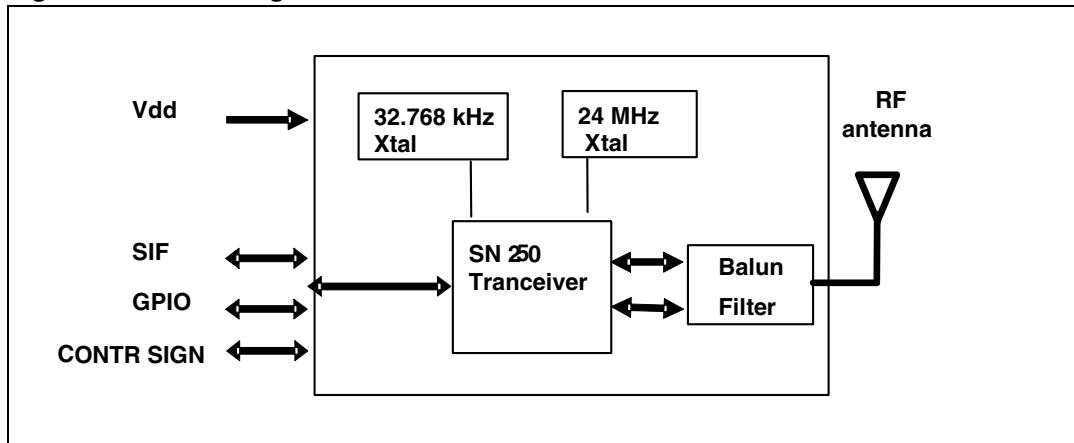
For other information and details, please refer to SN250 datasheet available at www.st.com

Contents

1	Block diagram	3
2	Pin settings	3
	2.1 Pin connections	3
	2.2 Pin description	4
3	Maximum ratings	7
	3.1 Absolute maximum ratings	7
	3.2 Operating ranges	7
4	Electrical characteristics	8
	4.1 DC electrical characteristics	8
	4.2 DC I/O specification	8
	4.3 RF electrical characteristics	9
5	Mechanical dimensions	10
Appendix A	FCC statement	12
	A.1 Label instruction	13
	A.2 Special requirement for Modular application	13
6	Revision history	15

1 Block diagram

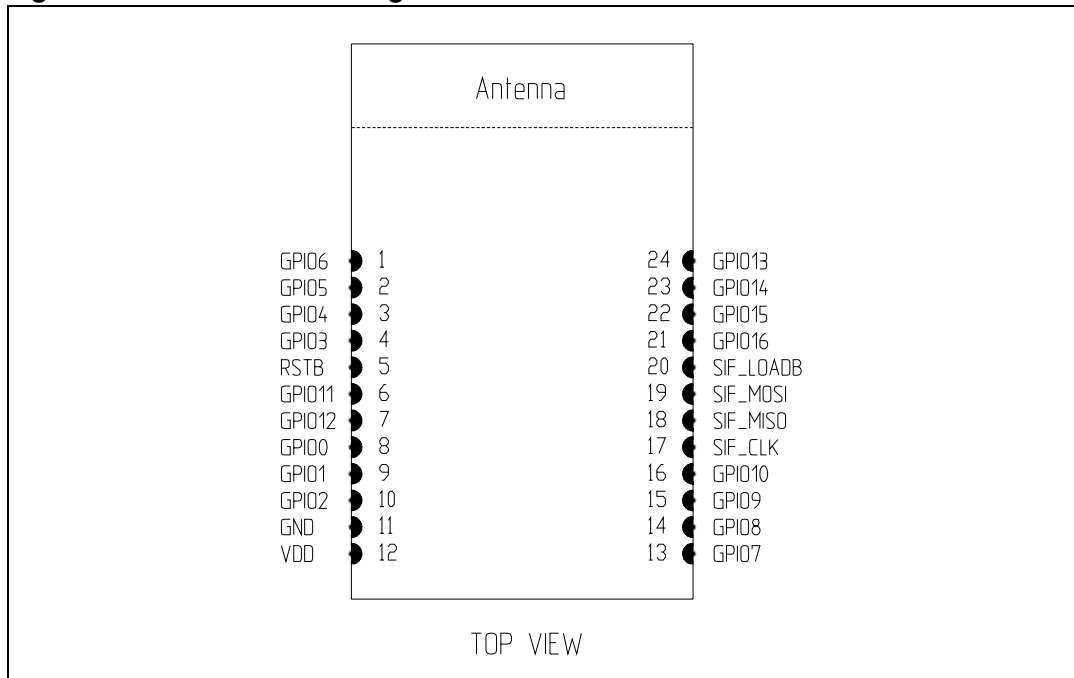
Figure 1. Block diagram



2 Pin settings

2.1 Pin connections

Figure 2. Pin connection diagram



2.2 Pin description

Table 1. Pin description

Pin n	Pin name	Direction	Description
1	GPIO6	I/O	Digital I/O
	ADC2	Analog	ADC input 2
	TMR2CLK	I	External clock input of timer 2
	TMR1ENMSK	I	External enable mask of timer1
2	GPIO5	I/O	Digital I/O
	ADC1	Analog	ADC Input 1
	PTI_DATA	O	Frame signal of PTI (Packet Trace Interface)
3	GPIO4	I/O	Digital I/O
	ADC0	Analog	ADC Input 0
	PTI_EN	O	Frame signal of PTI (Packet Trace Interface)
4	GPIO3	I/O	Digital I/O
	SSEL	I	SPI Master clock of Serial Controller SC2
	TMR2IB.1	I	Capture of Input B of timer 1
5	RSTB	I	Active low reset (an internal pull-up of 30 kohm typ is provided)
6	GPIO11	I/O	Digital I/O
	CTS	I	UART CTS handshake of serial controller SC1
	MCLK	O	SPI master clock of serial controller SC1
	TMR2IA.1	I	Capture of Input A of timer 2
7	GPIO12	I/O	Digital I/O
	RTS	O	UART RTS handshake of serial controller SC1
	TMR2IB.1	I	Capture of Input B of timer 2
8	GPIO0	I/O	Digital I/O
	MOSI	O	SPI master data out of serial controller SC2
	MOSI	I	SPI slave data in of serial controller SC2
	TMR1IA.1	I	Capture of input A of timer 1
9	GPIO1	I/O	Digital I/O
	MISO	I	SPI master data in of serial controller SC2
	MISO	O	SPI slave data out of serial controller SC2
	SDA	I/O	I2C data of serial controller SC2
	TMR2IA.2	I	Capture of input A of timer 2

Table 1. Pin description (continued)

Pin n	Pin name	Direction	Description
10	GPIO2	I/O	Digital I/O
	MSCLK	O	SPI master clock of serial controller SC2
	MSCLK	I	SPI slave clock of serial controller SC2
	SCL	I/O	I2C clock of serial controller SC2
	TMR2IA.2	I	Capture of Input B of timer 2
11	GND	--	Ground
12	VDD	Power	Input power supply
13	GPIO7	I/O	Digital I/O
	ADC3	Analog	ADC Input 3
	REG_EN	O	External regulator open collector output
14	GPIO8	I/O	Digital I/O
	VREF_OUT	Analog	ADC reference output
	TMR1CLK	I	External clock input of timer 1
	TMR2ENMSK	I	External enable mask of timer 2
	IRQA	I	External interrupt source A
15	GPIO9	I/O	Digital I/O
	TXD	O	UART transmit data of serial controller SC1
	MO	O	SPI master data out of serial controller SC1
	MSDA	I/O	I2C data of serial controller SC1
	TMR1IA.2	I	Capture of input A of timer 2
16	GPIO10	I/O	Digital I/O
	RXD	I	UART receive data of serial controller SC1
	MI	I	SPI master data in of serial controller SC1
	MSCL	I/O	I2C clock of serial controller SC1
	TMR1IB.2	I	Capture of Input B of timer 2
17	SIF_CLK	I	Non-intrusive debug Interface Serial interface clock signal (internal pulldown)
18	SIF_MISO	O	Non-intrusive debug Interface Serial interface master IN/ Slave Out
19	SIF_MOSI	I	Non-intrusive debug Interface Serial interface master Out/ Slave In To guarantee a proper signal level when in deep sleep mode connect a 10kΩ resistor to GND
20	SIF_LOADB	I/O	Non-intrusive debug Interface Serial interface load strobe (Open collector with internal pull-up) To improve noise immunity connect a 10kΩ resistor to V _{DD}

Table 1. Pin description (continued)

Pin n	Pin name	Direction	Description
21	GPIO16	I/O	Digital I/O
	TMR1OB	O	Waveform output B of timer 1
	TMR2IB.3	I	Capture of Input B of timer 2
	IRQD	I	External interrupt source D
22	GPIO15	I/O	Digital I/O
	TMR1OA	O	Waveform output A of timer 1
	TMR2IA.3	I	Capture of Input A of timer 2
	IRQC	I	External interrupt source C
23	GPIO14	I/O	Digital I/O
	TMR2OB	O	Waveform output B of timer 2
	TMR1IB.3	I	Capture of Input B of timer 1
	IRQB	I	External interrupt source B
24	GPIO13	I/O	Digital I/O
	TMR2OA	O	Waveform output A of timer 2
	TMR1IA.3	I	Capture of Input A of timer 1

3 Maximum ratings

3.1 Absolute maximum ratings

Table 2. Absolute maximum ratings

Symbol	Parameter	Values		Unit
		Min	Max	
V_{DD}	Module supply voltage	-0.3	3.6	V
V_{IN}	Input voltage on any digital pin	-0.3	V _{DD} +0.3	V
T_{stg}	Storage temperature	-40	+85	°C
T_{sold}	Soldering temperature < 10s		240	

3.2 Operating ranges

Table 3. Operating ranges

Symbol	Parameter	Conditions	Values			Unit
			Min	Typ	Max	
V_{DD}	Module supply voltage	- 20°C < T < 70 °C	3.1	3.3	3.6	V
T_{stg}	Operating ambient temperature		-20		+70	°C

4 Electrical characteristics

4.1 DC electrical characteristics

Table 4. DC electrical characteristics

Symbol	Parameter	Conditions	Values			Unit
			Min	Typ	Max	
IRX	RX current (boost mode)	Vdd = 3.0 V, T = 25 °C		38		mA
IRX	RX current (normal mode)	Vdd = 3.0 V, T = 25 °C		36		mA
ITX	TX current (boost mode)	Vdd = 3.0 V, T = 25 °C		42		mA
ITX	TX current (normal mode)	Vdd = 3.0 V, T = 25 °C		36		mA
IDS	Deep sleep current (RC oscillator)	2.1 < Vdd < 3.6 V T = 25°C			4	μA
IDS	Deep sleep current (32.768 kHz oscillator)	2.1 < Vdd < 3.6 V T = 25°C			4.5	μA

4.2 DC I/O specification

Table 5. DC Input / Output specification

Symbol	Parameter	Conditions	Values			Unit
			Min	Typ	Max	
VIL	Low Level Input Voltage	2.1 < Vdd < 3.6 V	0		0.2 x Vdd	V
VIH	High level input voltage	2.1 < Vdd < 3.6 V	0.8 x Vdd		Vdd	V
Iil	Input current for logic 0	2.1 < Vdd < 3.6 V			-0.5	mA
Iih	Input current for logic 1	2.1 < Vdd < 3.6 V			0.5	mA
Ripu	Input pull-up resistor			30		kΩ
Ripd	Input pull-down resistor			30		kΩ
VOL	Low level output voltage		0		0.18 x Vdd	V
VOH	High level output voltage		0.82 x Vdd		Vdd	V
IOHS	Output source current (GPIO 12 : 0)				4	mA
IOLS	Output sink current (GPIO 12 : 0)				4	mA
IOHH	Output source current (GPIO 16 : 13)				8	mA
IOLH	Output sink current (GPIO 16 : 13)				8	mA
IOTot	Total output current for I/O				40	mA

4.3 RF electrical characteristics

Table 6. RF electrical characteristics

Symbol	Parameter	Conditions	Values			Unit
			Min	Typ	Max	
	Frequency range	2.1 < Vdd < 3.6 V	2405		2480	MHz
TX	Output power			0		dBm
RX	Sensitivity	Vdd = 3.0V, 1% PER		-92		dBm
CFE	Carrier frequency error	Vdd=3.0V -20 / + 70 °C	-40		40	ppm
	Error Vector magnitude	Normal / boost mode		15	25	%
	Adjacent channel rejection	+/- 5 MHz +/- 10 MHz		35 40		dBm

5 Mechanical dimensions

In order to meet environmental requirements, ST offers these devices in ECOPACK® packages. These packages have a Lead-free second level interconnect . The category of second level interconnect is marked on the package and on the inner box label, in compliance with JEDEC Standard JESD97. The maximum ratings related to soldering conditions are also marked on the inner box label. ECOPACK is an ST trademark. ECOPACK specifications are available at: www.st.com.

Figure 3. Mechanical dimensions

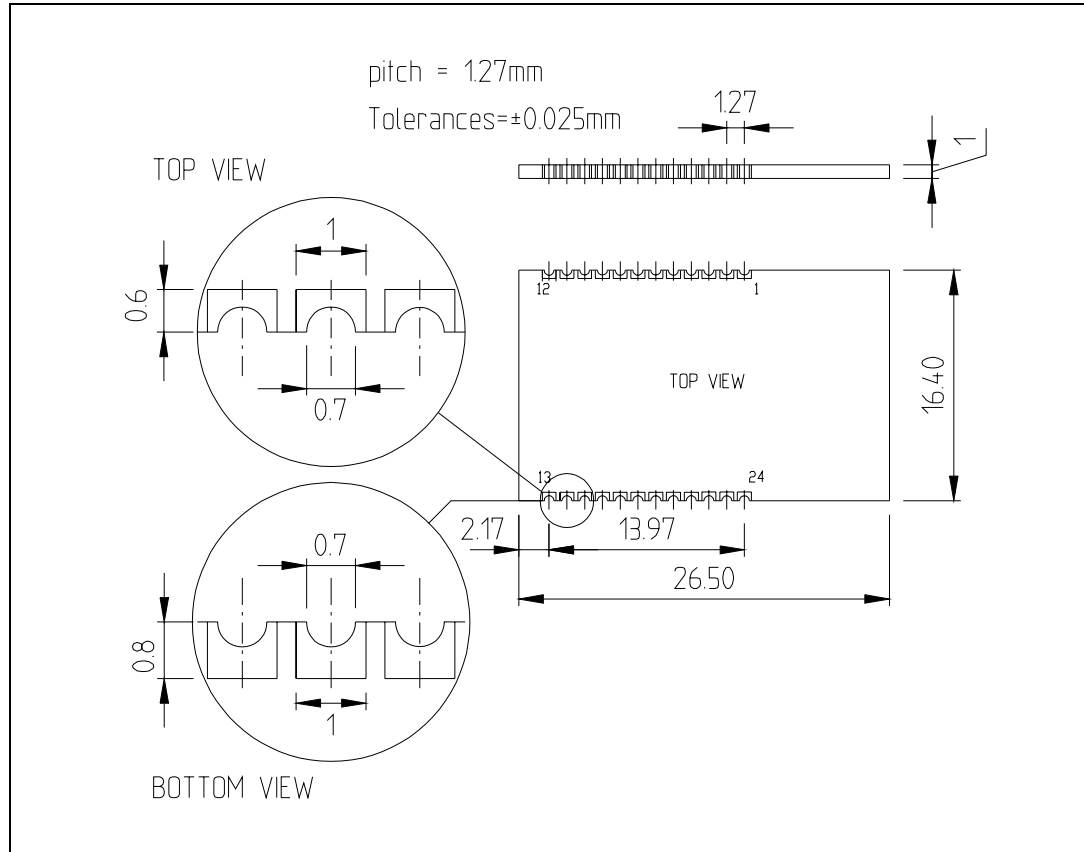
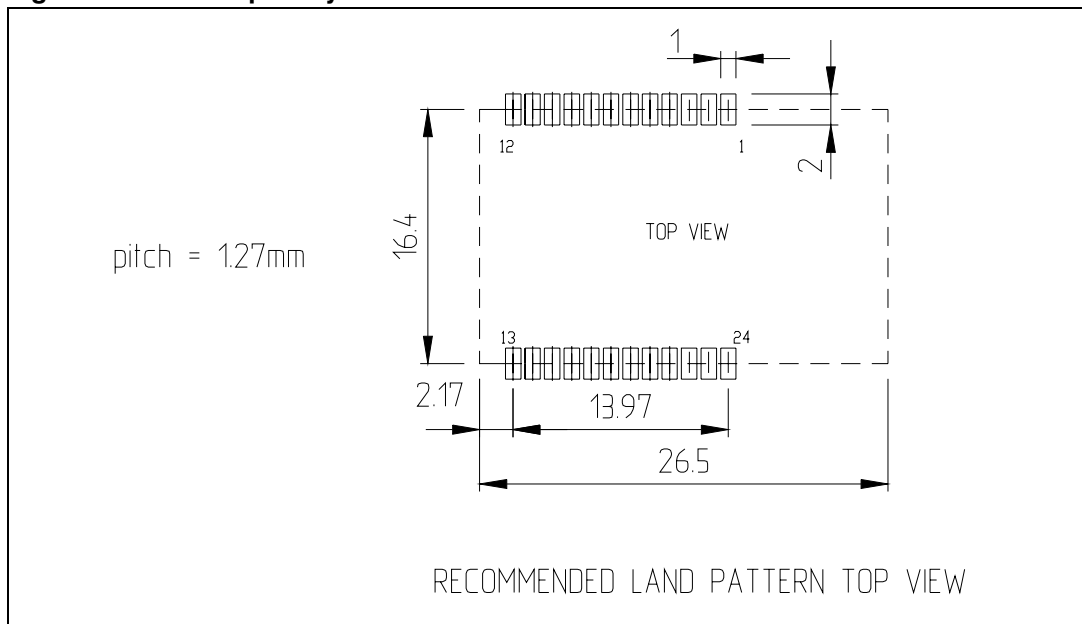


Figure 4. Solder pad layout



Appendix A FCC statement

This device complies with Part 15 of the FCC Rules. Operation is subject to the following two conditions: (1) this device may not cause harmful interference, and (2) this device must accept any interference received, including interference that may cause undesired operation.

Note: This equipment has been tested and found to comply with the limits for a Class B digital device, pursuant to Part 15 of the FCC Rules. These limits are designed to provide reasonable protection against harmful interference in a residential installation. This equipment generates, uses and can radiate radio frequency energy and, if not installed and used in accordance with the instructions, may cause harmful interference to radio communications. However, there is no guarantee that interference will not occur in a particular installation. If this equipment does cause harmful interference to radio or television reception, which can be determined by turning the equipment off and on, the user is encouraged to try to correct the interference by one or more of the following measures:

- Reorient or relocate the receiving antenna
- Increase the separation between the equipment and receiver
- Connect the equipment into an outlet on a circuit different from that to which the receiver is connected

Consult the dealer or an experienced radio/TV technician for help.

Antenna

Our module type SPZB250 is for OEM integrations only. The end-user product will be professionally installed in such a manner that only the authorized antennas are used.

Caution

Any changes or modifications not expressed approved by the part responsible for compliance could cause the module to cease to comply with FCC rules part 15, and thus void the user's authority to operate the equipment.

A.1 Label instruction

Instruction manual for FCC ID labeling

Module type: ZigBee® module *SPZB250*

FCC-ID: S9NZB250A

This intends to inform you how to specify the FCC ID of our ZigBee® module SPZB250 on your final product.

Based on the Public Notice from FCC, the product into which our transmitter module is installed must display a label referring to the enclosed module.

The label should use wording such as “Contains Transmitter module FCC ID: S9NZB250A or “Contains FCC ID: S9NZB250A , any similar wording that expressed the same meaning may be use.

It shows an example below

Contains FCC ID: S9NZB250A

A.2 Special requirement for Modular application

The following requirements are fulfilled:

1. The modular transmitter must have its own RF shielding:
The RF module used on the board fulfils the emission requirements of the FCC rules without additional shielding.
2. The modular transmitter must have buffered modulation/data inputs:
The module has a memory management unit inside of the IC. The processor interfacing with the external application by means general purpose I/O (GPIO) , Uart, SPI. The processor interfaces also the RF part of the module exchanging data and command with it. Inside the processor a Flash memory is available to download the customer application and the ZigBee® profiles.
3. The modular transmitter must have its own power supply regulation:
The IC contains an own voltage regulation. In case of changes in the supply voltage VCC (for example caused by temperature changes or other effects), the internal voltage will be stabilized.
4. The modular transmitter must comply with the antenna requirements of Section 15.203 and 15.204:
The RF module is for OEM (Original Equipment Manufacturer) integration only. The end-user product will be professionally installed in such a manner that only the authorized antenna is used.
5. The modular transmitter must be tested in a stand-alone configuration:
The RF module was tested in a stand-alone configuration.
6. The modular transmitter must be labelled with its own FCC ID number:
The RF module will be labelled with its own FCC ID number. When the module is installed inside the end-product, the label is not visible. The OEM manufacturer is instructed how to apply the exterior label.

7. The modular transmitter must comply with any specific rule or operating requirements applicable to the transmitter and the manufacturer must provide adequate instructions along with the module to explain any such requirements:
The EUT is compliant with all applicable FCC rules. Detail instructions are given in the product Users Guide.
8. The modular transmitter must comply with any applicable RF exposure requirements.
 - Maximum measured power output: 3,08 mW
 - Maximum antenna gain: 0,6 dBi = numeric gain 1,148 (see also FCC test report)

Maximum permissible exposure defined in 47 CFR 1.1310: 1 mW/cm².

The RF module operates at low power level so it does not exceed the Commission's RF exposure guidelines limits; furthermore, Spread spectrum transmitters operate according to the Section 15.247 are categorically excluded from routine environmental evaluation.

6 Revision history

Table 7. Document revision history

Date	Revision	Changes
08-Oct-2007	1	First release

Please Read Carefully:

Information in this document is provided solely in connection with ST products. STMicroelectronics NV and its subsidiaries ("ST") reserve the right to make changes, corrections, modifications or improvements, to this document, and the products and services described herein at any time, without notice.

All ST products are sold pursuant to ST's terms and conditions of sale.

Purchasers are solely responsible for the choice, selection and use of the ST products and services described herein, and ST assumes no liability whatsoever relating to the choice, selection or use of the ST products and services described herein.

No license, express or implied, by estoppel or otherwise, to any intellectual property rights is granted under this document. If any part of this document refers to any third party products or services it shall not be deemed a license grant by ST for the use of such third party products or services, or any intellectual property contained therein or considered as a warranty covering the use in any manner whatsoever of such third party products or services or any intellectual property contained therein.

UNLESS OTHERWISE SET FORTH IN ST'S TERMS AND CONDITIONS OF SALE ST DISCLAIMS ANY EXPRESS OR IMPLIED WARRANTY WITH RESPECT TO THE USE AND/OR SALE OF ST PRODUCTS INCLUDING WITHOUT LIMITATION IMPLIED WARRANTIES OF MERCHANTABILITY, FITNESS FOR A PARTICULAR PURPOSE (AND THEIR EQUIVALENTS UNDER THE LAWS OF ANY JURISDICTION), OR INFRINGEMENT OF ANY PATENT, COPYRIGHT OR OTHER INTELLECTUAL PROPERTY RIGHT.

UNLESS EXPRESSLY APPROVED IN WRITING BY AN AUTHORIZED ST REPRESENTATIVE, ST PRODUCTS ARE NOT RECOMMENDED, AUTHORIZED OR WARRANTED FOR USE IN MILITARY, AIR CRAFT, SPACE, LIFE SAVING, OR LIFE SUSTAINING APPLICATIONS, NOR IN PRODUCTS OR SYSTEMS WHERE FAILURE OR MALFUNCTION MAY RESULT IN PERSONAL INJURY, DEATH, OR SEVERE PROPERTY OR ENVIRONMENTAL DAMAGE. ST PRODUCTS WHICH ARE NOT SPECIFIED AS "AUTOMOTIVE GRADE" MAY ONLY BE USED IN AUTOMOTIVE APPLICATIONS AT USER'S OWN RISK.

Resale of ST products with provisions different from the statements and/or technical features set forth in this document shall immediately void any warranty granted by ST for the ST product or service described herein and shall not create or extend in any manner whatsoever, any liability of ST.

ST and the ST logo are trademarks or registered trademarks of ST in various countries.

Information in this document supersedes and replaces all information previously supplied.

The ST logo is a registered trademark of STMicroelectronics. All other names are the property of their respective owners.

© 2007 STMicroelectronics - All rights reserved

STMicroelectronics group of companies

Australia - Belgium - Brazil - Canada - China - Czech Republic - Finland - France - Germany - Hong Kong - India - Israel - Italy - Japan - Malaysia - Malta - Morocco - Singapore - Spain - Sweden - Switzerland - United Kingdom - United States of America

www.st.com