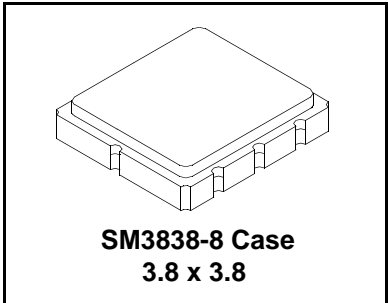




RF1407D

**868.60 MHz
SAW Filter**



- **Ideal Front-End Filter for European Wireless Receivers**
- **Low-Loss, Coupled-Resonator Quartz Design**
- **Simple External Impedance Matching**
- **Complies with Directive 2002/95/EC (RoHS)** 

The RF1407D is a low-loss, compact, and economical surface-acoustic-wave (SAW) filter designed to provide front-end selectivity in 868.60 MHz receivers. Receiver designs using this filter include superhet IF, direct conversion and superregen. Typical applications of these receivers are wireless remote-control and security devices operating in Europe under ETSI I-ETS 300 220, in Germany under FTZ 17 TR 2100, in the United Kingdom under DTI MPT 1340 (for automotive only), in France under PTT Specifications ST/PAA/TPA/AGH/1542, and in Scandinavia.

This coupled-resonator filter (CRF) uses selective null placement to provide suppression, typically greater than 40 dB, of the LO and image spurious responses of superhet receivers with 10.7 MHz IF. RFM's advanced SAW design and fabrication technology is utilized to achieve high performance and very low loss with simple external impedance matching (not included).

Electrical Characteristics

Characteristic	Sym	Notes	Minimum	Typical	Maximum	Units
Center Frequency @ 25°C	f_c	1, 2, 3		868.60		MHz
Minimum I.L. (868.210-868.990 MHz)		1, 3		3.0	4.2	dB
1dB Bandwidth 868.05-869.15		1	960			kHz
-45°C to +90°C -25°C to +60°C			1000			
Pass Bandwidth (relative to IL_{min})	BW_3	1, 3	1200	1800		kHz
Rejection (relative to IL_{min})		1, 3	50	55		dB
10-700 MHz			40	45		
700-830 MHz			32	37		
830-850 MHz			25	28		
850-865.02 MHz			11	14		
871-874.5 MHz			16	21		
874.5-883 MHz			30	33		
883-900 MHz 900-1000 MHz			40	45		
Temperature Coeff			0.032			ppm/°C ²
Operating Temperature Range			-45		+90	°C
Impedance @ f_c	Input $Z_{IN} = R_{IN} C_{IN}$	Z_{IN}	1	117Ω 3.7pf		
	Output $Z_{OUT} = R_{OUT} C_{OUT}$	Z_{OUT}	1	117Ω 3.7pf		
Lid Symbolization (in addition to Lot and/or Date Codes)	505 // YWWS					
Standard Reel Quantity	7 Inch Reel	8	500 Pieces/Reel			
	13 Inch Reel		3000 Pieces/Reel			



CAUTION: Electrostatic Sensitive Device. Observe precautions for handling.

Notes:

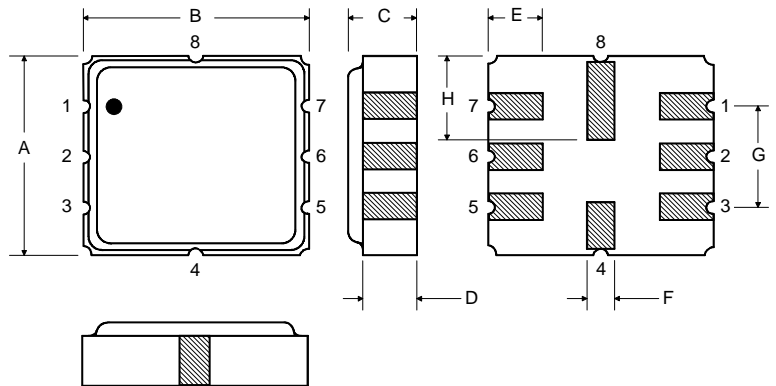
1. Unless noted otherwise, all measurements are made with the filter installed in the specified test fixture which is connected to a 50 Ω test system with VSWR ≤ 1.2:1. The test fixture L and C are adjusted for minimum insertion loss at the filter center frequency, f_c . Note that insertion loss and bandwidth are dependent on the impedance matching component values and quality.
2. The frequency f_c is defined as the midpoint between the 3dB frequencies.
3. Where noted, specifications apply over the entire specified operating temperature range of -45°C to +90°C.
4. Frequency aging is the change in f_c with time and is specified at +65°C or less. Aging may exceed the specification for prolonged temperatures above +65°C. Typically, aging is greatest the first year after manufacture, decreasing significantly in subsequent years.
5. The design, manufacturing process, and specifications of this device are subject to change.
6. One or more of the following U.S. Patents apply: 4,54,488, 4,616,197, and others pending.
7. All equipment designs utilizing this product must be approved by the appropriate government agency prior to manufacture or sale.
8. Tape and Reel Standard Per ANSI / EIA 481.
9. This product complies with directive 2002/95/EC of the European Parliament and of the Council of 27 January 2003 on the restriction of the use of certain hazardous substances in electrical and electronic equipment.

Absolute Maximum Ratings

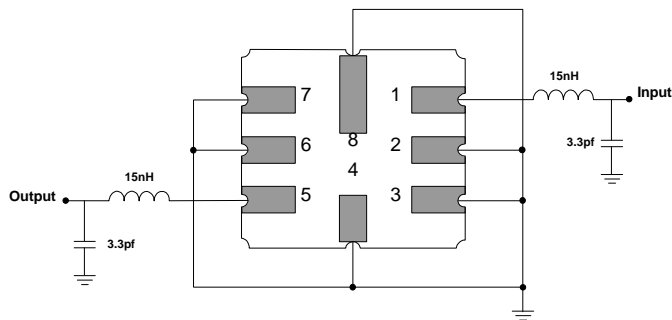
Rating	Value	Units
Input Power Level	0	dBm
DC Voltage	12	VDC
Storage Temperature	-45 to +90	°C
Soldering Temperature	(10 seconds / 5 cycles max.)	°C

Electrical Connections

Pin	Connection
1	Input
2	Ground
3	Ground
4	Case Ground
5	Output
6	Ground
7	Ground
8	Case Ground



Matching Circuit to 50Ω



Case Dimensions

Dimension	mm			Inches		
	Min	Nom	Max	Min	Nom	Max
A	3.6	3.8	4.0	0.14	0.15	0.16
B	3.6	3.8	4.0	0.14	0.15	0.16
C	1.00	1.20	1.40	0.04	0.05	0.055
D	0.95	1.10	1.25	0.037	0.043	0.05
E	0.90	1.0	1.10	0.035	0.04	0.043
F	0.50	0.6	0.70	0.020	0.024	0.028
G	2.39	2.54	2.69	0.090	0.100	0.110
H	1.40	1.75	2.05	0.055	0.069	0.080