

## -48V Hot Swap Controller

### Features

- Allows safe board removal and insertion from a live backplane
- Accurate (<1.5%) internal voltage reference for fault detection and precision timing
- Programmable foldback current limiting
- Programmable circuit breaker current limiting
- Auto restart option for all faults
- Adjustable Undervoltage lockout thresholds
- Adjustable Overvoltage protection threshold
- Adjustable Power Good delay
- Configurable Power Good output polarity
- Low-side drive of an external N-channel FET

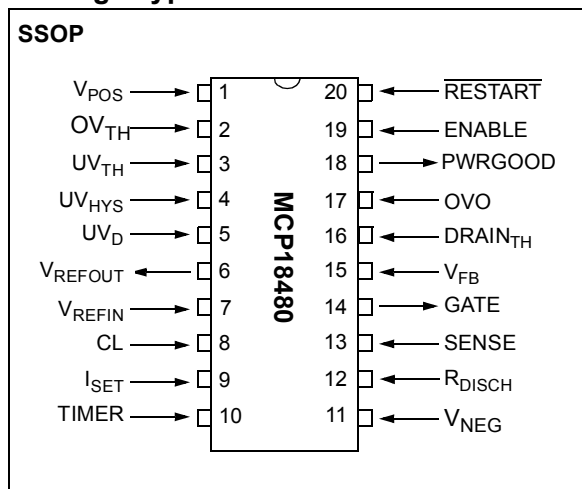
### CMOS Technology

- High-Voltage Operation
- Temperature range: Industrial (I): -40°C to +85°C

### Packaging

- 20-lead SSOP

### Package Type



### Description

The MCP18480 is a Hot Swap controller that allows boards to be safely removed or inserted from an active backplane using -48V.

When PCBs are inserted into a live backplane, high-peak or transient currents from the source are generated due to the charging of the bypass capacitors on the supply. The high transient currents can destroy connectors and capacitors. The high inrush current can pull the input voltage BUS down and reset the system.

The MCP18480 solves this problem by controlling the slew rate of the backplane voltage to the board so that these transients are eliminated. This allows boards to be removed and inserted without causing damage to connector pins and input bulk capacitors, in addition to preventing false resets to the other boards on the backplane.

The MCP18480 can be used in applications in several areas including:

- Telecom Line Cards
- Network Switches
- Network Routers and Servers
- Base Station Line Cards
- Power-Over-LAN
- Power-Over-MDI
- IP Phone Switches/Routers
- Mid-Span, Power-Over-MDI

Two forms of current limit are provided in the MCP18480. These are:

- Foldback
- Circuit breaker

The foldback current-limiting circuit uses an external sense resistor and a voltage that is proportional to the external MOSFET's drain voltage. These are used to keep the MOSFET in its Safe Operating Area (SOA).

If the device remains in current limit for a programmed time period, the external N-channel FET is turned off. The option exists to configure the device to automatically restart after a programmed time delay. A programmable catastrophic current limit threshold shuts down the switch (circuit breaker) if excessive current is sensed due to a short-circuit condition.

# MCP18480

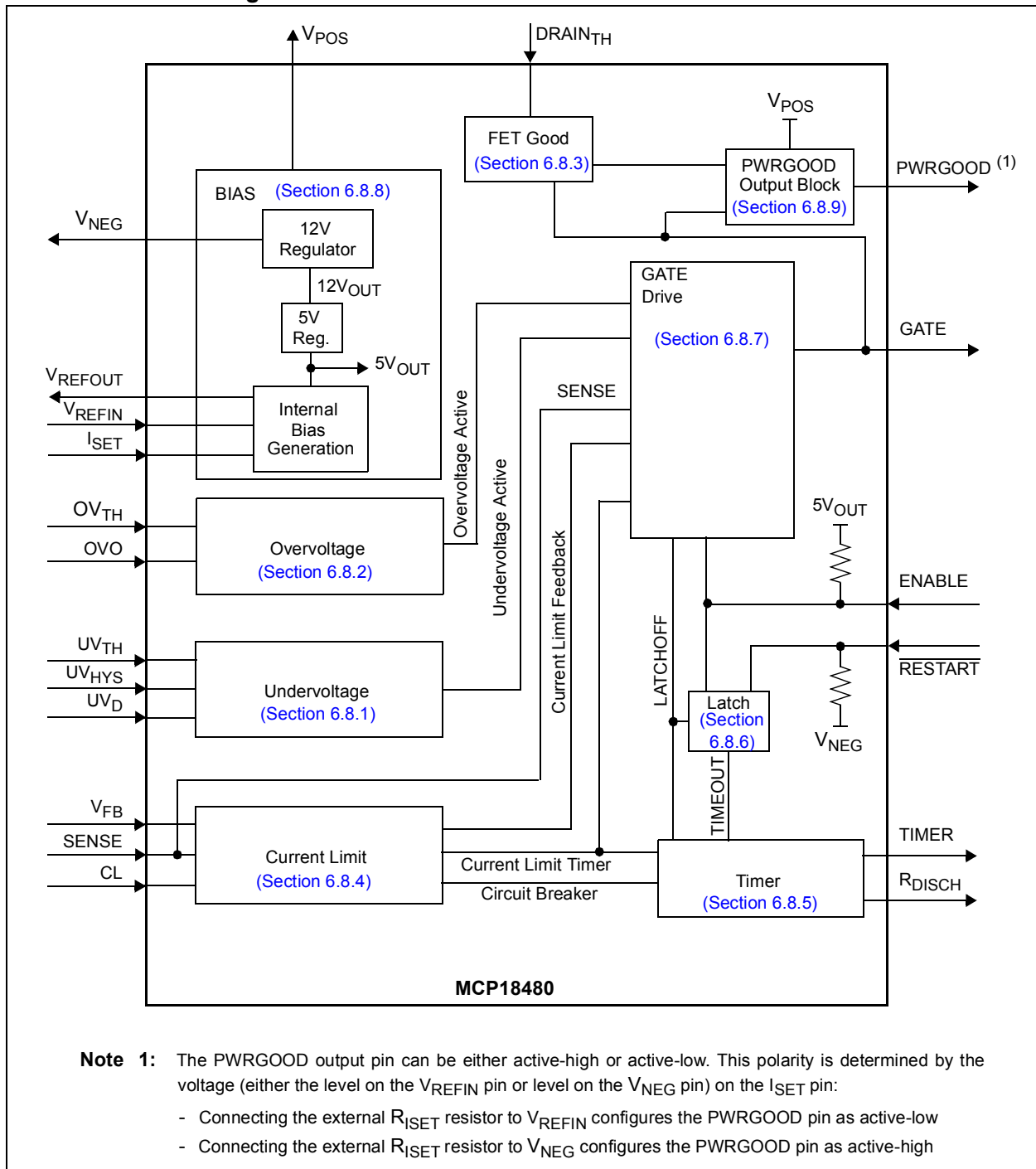
Internal comparators are incorporated to add hysteresis for adjusting the Undervoltage Lockout (UVLO) threshold. The external N-channel MOSFET is turned on when the input is below the user-programmable, Overvoltage threshold and above the user-programmable, Undervoltage threshold.

The PWRGOOD pin indicates the status of the MCP18480 and is active when the device has completed power-up and the system is not in an Undervoltage, Overvoltage or current-limit condition.

PWRGOOD can be externally configured to either active-high or active-low to accommodate external circuitry (power supplies) that have either enabling logic.

A block diagram of the MCP18480 is shown below.

## MCP18480 Block Diagram



## 1.0 ELECTRICAL CHARACTERISTICS

### Absolute Maximum Ratings†

Ambient Temperature under bias ..... -40°C to +85°C  
 Storage Temperature ..... -65°C to +150°C  
 Voltage on V<sub>POS</sub> with respect to V<sub>NEG</sub> -0.3V to +15.0V  
 Voltage on DV<sub>TH</sub>, UV<sub>TH</sub>, V<sub>FB</sub>, OVO and UV<sub>HYS</sub> pins with respect to V<sub>NEG</sub> ..... V<sub>NEG</sub> - 0.3V to (V<sub>POS</sub> + 0.3V)  
 Voltage on V<sub>REFIN</sub>, CL, SENSE, DRAIN<sub>TH</sub>, ENABLE and RESTART pins with respect to V<sub>NEG</sub> ..... V<sub>NEG</sub> - 0.3V to 6V.  
 Total Power Dissipation (**Note 1**) ..... 800 mW  
 Max. Current out of V<sub>NEG</sub> pin ..... 80 mA  
 Max. Current into V<sub>POS</sub> pin ..... 50 mA  
 Max. Output Current sunk by Gate pin ..... 80 mA  
 Max. Output Current sunk by V<sub>REFOUT</sub> pin ..... 5 mA  
 Max. Output Current sunk by any other Output pin ..... 25 mA  
 Max. Output Current sourced by Gate pin ..... 200 µA

Max. Output Current sourced by V<sub>REFOUT</sub> pin ..... 5 mA  
 Max. Output Current sourced by any other Output pin ..... 25 mA  
 Junction to Ambient,  $\theta_{JA}$   
 (20 pin SSOP Package) Derating ..... 108.1°C/W  
 Junction to Case,  $\theta_{JC}$   
 (20 pin SSOP Package) Derating ..... 32.2°C/W  
 Lead Temperature, Soldering, 10 seconds ..... 300°C

† **Notice:** Stresses above those listed under "Maximum Ratings" may cause permanent damage to the device. This is a stress rating only and functional operation of the device at those or any other conditions above those indicated in the operation listings of this specification is not implied. Exposure to maximum rating conditions for extended periods may affect device reliability.

**Note 1:** Power Dissipation is calculated as follows:

$$P_{DIS} = V_{DD} \times \{I_{DD} - \Sigma I_{OH}\} + \Sigma \{(V_{DD} - V_{OH}) \times I_{OH}\} + \Sigma (V_{OL} \times I_{OL})$$

### DC CHARACTERISTICS

<b>Electrical Specifications:</b> Unless otherwise specified, operating temperature: -40°C ≤ T <sub>A</sub> ≤ +85°C (Industrial), Supply Current: 5 mA ≤ I <sub>POS</sub> ≤ 25 mA, R <sub>ISET</sub> = 125 kΩ, C <sub>BYP</sub> = 2 µF.							
Param. No.	Parameter	Sym	Min	Typ <sup>(1)</sup>	Max	Units	Conditions
MD001	Current into shunt regulator that produces V <sub>POS</sub> output voltage that meets MD001A specification	I <sub>POS1</sub>	5	—	25	mA	ENABLE pin = 5V
			5	—	25		ENABLE pin = V <sub>NEG</sub>
MD001A	Regulated Output Voltage Differential of V <sub>POS</sub> to V <sub>NEG</sub>	V <sub>POS</sub>	10.4	12.0	13.4	V	See MD001
MD002	V <sub>REFOUT</sub> pin output voltage	V <sub>REFOUT</sub>	2.463	2.5	2.538	V	Load = 50 µA
MD010	V <sub>GATE</sub> pin output voltage	V <sub>GATE</sub>	V <sub>POS</sub> - 2	V <sub>POS</sub> - 1	V <sub>POS</sub>	V	
MD011	Voltage on I <sub>SET</sub> pin	V <sub>ISET</sub>	(V <sub>REFIN</sub> /2) - 0.02	V <sub>REFIN</sub> /2	(V <sub>REFIN</sub> /2) + 0.02	V	
MD012A	Voltage on SENSE pin to trigger current-limiting	V <sub>SENSE</sub>	40	50	60	mV	V <sub>FB</sub> = V <sub>NEG</sub>
MD012B			25	31.0	40	mV	V <sub>FB</sub> = V <sub>NEG</sub> + 0.25V
MD012C			7	12	17	mV	V <sub>FB</sub> = V <sub>NEG</sub> + 0.5V
MD013	Undervoltage Threshold	UV <sub>TH</sub>	V <sub>REFIN</sub> - 0.03	V <sub>REFIN</sub>	V <sub>REFIN</sub> + 0.03	V	
MD014A	Overvoltage Threshold	rising	OV <sub>TH</sub>	V <sub>REFIN</sub> - 0.05	V <sub>REFIN</sub> + 0.05	V	V <sub>REFIN</sub> = 2.5V
MD014B		falling	OV <sub>TH</sub>	V <sub>REFIN</sub> - 0.035	V <sub>REFIN</sub> - 0.02	V <sub>REFIN</sub> - 0.005	V
MD015	DRAIN Pin Input Threshold Voltage	V <sub>DTH</sub>	90	100	130	mV	

**Note 1:** Data in the Typical ("Typ") column is based on characterization results at +25°C. This data is for design guidance only and is not tested.

**2:** Negative current is defined as current sourced by the pin.

**3:** All voltages are with respect to the V<sub>NEG</sub> pin voltage.

# MCP18480

## DC Characteristics (Continued)

Electrical Specification: Unless otherwise specified, operating temperature: $-40^{\circ}\text{C} \leq T_A \leq +85^{\circ}\text{C}$ (Industrial), Supply Current: $5\text{ mA} \leq I_{\text{POS}} \leq 25\text{ mA}$ , $R_{\text{ISET}} = 125\text{ k}\Omega$ , $C_{\text{BYP}} = 2\text{ }\mu\text{F}$								
Param. No.	Parameter		Sym	Min	Typ <sup>(1)</sup>	Max	Units	Conditions
MD020	DRAIN pin current		$I_{\text{DRAIN}}$	—	—	0.1	$\mu\text{A}$	$\text{DRAIN}_{\text{TH}}$ pin = $V_{\text{NEG}}$
MD021	SENSE pin current		$I_{\text{SENSE}}$	—	—	0.1	$\mu\text{A}$	
MD022	GATE pin current	Pull-up	$I_{\text{GATE}}$					SENSE pin = $V_{\text{NEG}}$ GATE pin = $V_{\text{NEG}} + 4\text{V}$ $V_{\text{FB}} = V_{\text{NEG}}$ $V_{\text{FB}} = V_{\text{NEG}} + 500\text{ mV}$
MD022A				-30	-50	-75	$\mu\text{A}$	
MD022B		-9		-17	-33	$\mu\text{A}$		
MD022C		Pull-down		31	49	72	$\text{mA}$	
MD023	UV <sub>D</sub> pin current		$I_{\text{UVD}}$	-7	-10	-15	$\mu\text{A}$	$\text{UV}_{\text{TH}} < V_{\text{REFIN}}$
MD024A	TIMER pin current	Pull-up	$I_{\text{TIMER}}$	-100	-160	-200	$\mu\text{A}$	$R_{\text{ISET}} = 125\text{ k}\Omega$ , $V_{\text{REFIN}} = 2.5\text{V}$
MD024B		Pull-down		52	78	104	$\text{nA}$	
MD025	I <sub>SET</sub> pin current		$I_{\text{SET}}$	$V_{\text{ISET(MIN)}}$	—	$V_{\text{ISET(MAX)}}$	A	<b>See MD011</b>
				$R_{\text{ISET(MAX)}}$		$R_{\text{ISET(MIN)}}$		

**Note 1:** Data in the Typical ("Typ") column is based on characterization results at +25°C. This data is for design guidance only and is not tested.

**2:** Negative current is defined as current sourced by the pin.

**3:** All voltages are with respect to the  $V_{\text{NEG}}$  pin voltage.

## DC Characteristics (Continued)

<b>Electrical Specifications:</b> Unless otherwise specified, operating temperature: $-40^{\circ}\text{C} \leq T_A \leq +85^{\circ}\text{C}$ (Industrial), Supply Current: $5\text{ mA} \leq I_{\text{POS}} \leq 25\text{ mA}$ , $R_{\text{SET}} = 125\text{ k}\Omega$ , $C_{\text{BYP}} = 2\text{ }\mu\text{F}$ .							
Param #	Parameter	Sym	Min	Typ	Max	Units	Conditions
MD030	Input Low Voltage	$V_{\text{IL}}$					
MD031	ENABLE pin		$V_{\text{NEG}}$	—	0.8	V	
MD032	RESTART pin		$V_{\text{NEG}}$	—	0.8		
MD040	Input High Voltage	$V_{\text{IH}}$					
MD041	ENABLE pin		2.0	—	5.0	V	
MD042	RESTART pin		2.0	—	5.0	V	
MD050	Internal Resistance on $UV_{\text{HYS}}$ pin	$R_{\text{UVHYS}}$	500	1200	2100	$\Omega$	$V_{\text{UVTH}} < V_{\text{REFIN}}$ , $I_{\text{UVHYS}} = 30\text{ }\mu\text{A}$
			50	100	—	$\text{M}\Omega$	$V_{\text{UVTH}} > V_{\text{REFIN}}$ , $I_{\text{UVHYS}} = 30\text{ }\mu\text{A}$
	<b>Input Leakage Current</b> <b>(Notes 2, 3)</b>						
MD060A	$OV_{\text{TH}}$ , $UV_{\text{TH}}$ , $V_{\text{FB}}$ , OVO and $UV_{\text{HYS}}$ pins	$I_{\text{IL}}$	-1	—	+1	$\mu\text{A}$	$V_{\text{NEG}} \leq V_{\text{PIN}} \leq 11\text{V}$ , Pin at high-impedance
MD060B	$V_{\text{REFIN}}$ , CL, SENSE, $DRAIN_{\text{TH}}$ , ENABLE and RESTART pins		—	—	$\pm 1$	$\mu\text{A}$	$V_{\text{NEG}} \leq V_{\text{PIN}} \leq 5\text{V}$ , Pin at hi-impedance
MD070	Minimum current into ENABLE pin to disable MCP18480	$I_{\text{EN}}$	—	10	30	$\mu\text{A}$	$I_{\text{POS}} = 5\text{ mA}$ , ENABLE = 0.8V
MD080	Output Low Voltage PWRGOOD pin	$V_{\text{OL}}$	0	—	0.4	V	$I_{\text{OL}} = 5\text{ mA}$
MD090	Output High Voltage PWRGOOD pin	$V_{\text{OH}}$	$0.8 V_{\text{POS}}$	$0.96 V_{\text{POS}}$	$V_{\text{POS}}$	V	$I_{\text{OH}} = 2\text{ mA}$ , $7\text{ mA} \leq I_{\text{POS}} \leq 12\text{ mA}$
MD100	Offset Voltage at the internal comparator input that is connected to the CL pin.	$V_{\text{CL}}$	-15	—	+15	mV	$V_{\text{FB}} = 0$

- Note** 1: All voltages are with respect to the  $V_{\text{NEG}}$  pin voltage.  
 2: The leakage currents on the ENABLE and RESTART pins are strongly dependent on the applied voltage level. The specified levels represent normal operating conditions. Higher leakage current may be measured at different input voltages.  
 3: Negative current is defined as coming out of the pin.

# MCP18480

## 1.1 Timing Parameter Symbology and Load Conditions

The timing parameter symbols have been created using one of the following formats:

### 1.1.1 TIMING CONDITIONS

The temperature and voltages specified in [Table 1-2](#) apply to all timing specifications, unless otherwise noted. [Figure 1-1](#) specifies the load conditions for the timing specifications.

**TABLE 1-1: SYMBOLOGY**

1. TppS2ppS		2. TppS	
<b>T</b>			
F	Frequency	T	Time
E	Error		

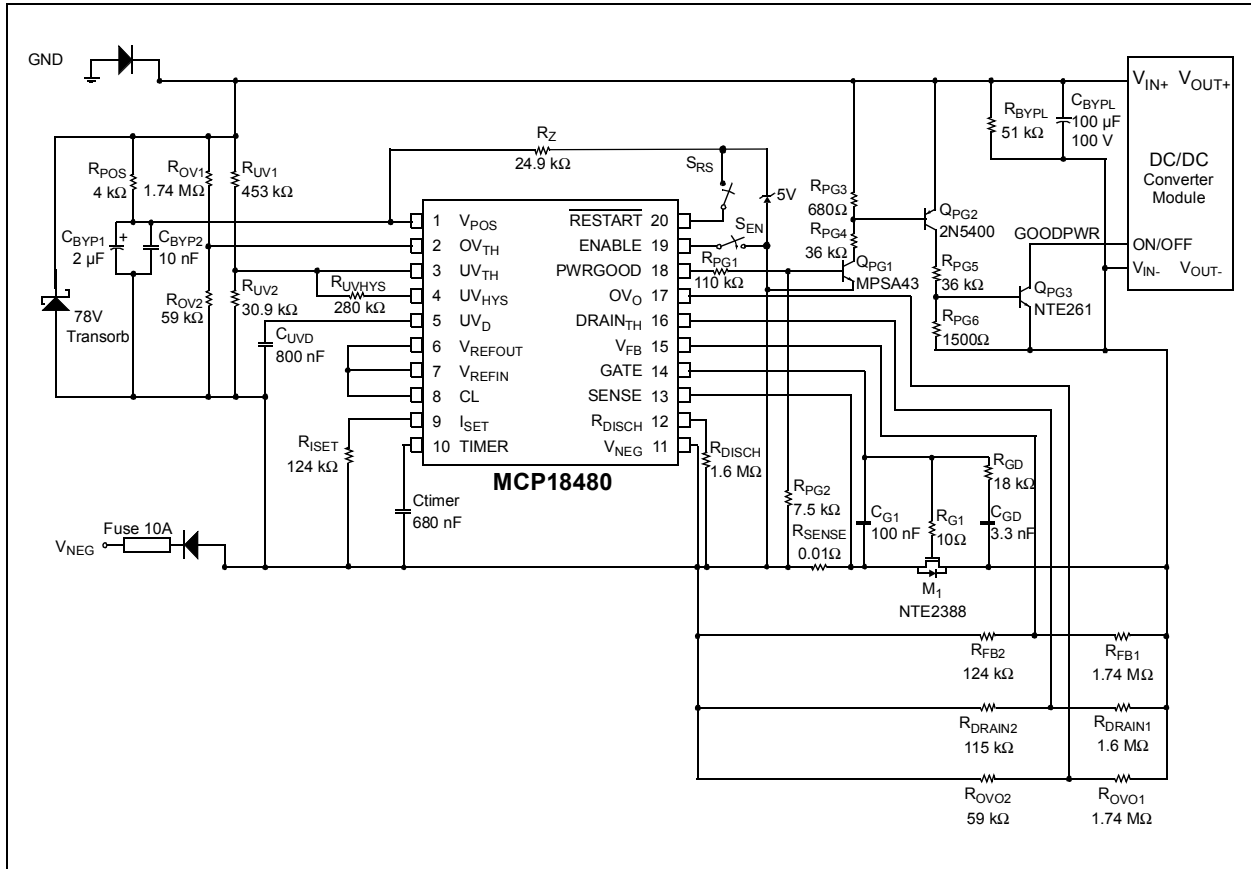
Lowercase letters (pp) indicate the device pin.

Uppercase letters and their meanings:

<b>S</b>			
F	Fall	P	Period
FR	Fast Ramp	R	Rise
H	High	V	Valid
I	Invalid (Hi-impedance)	Z	Hi-impedance
L	Low		

**TABLE 1-2: AC TEMPERATURE AND VOLTAGE SPECIFICATIONS**

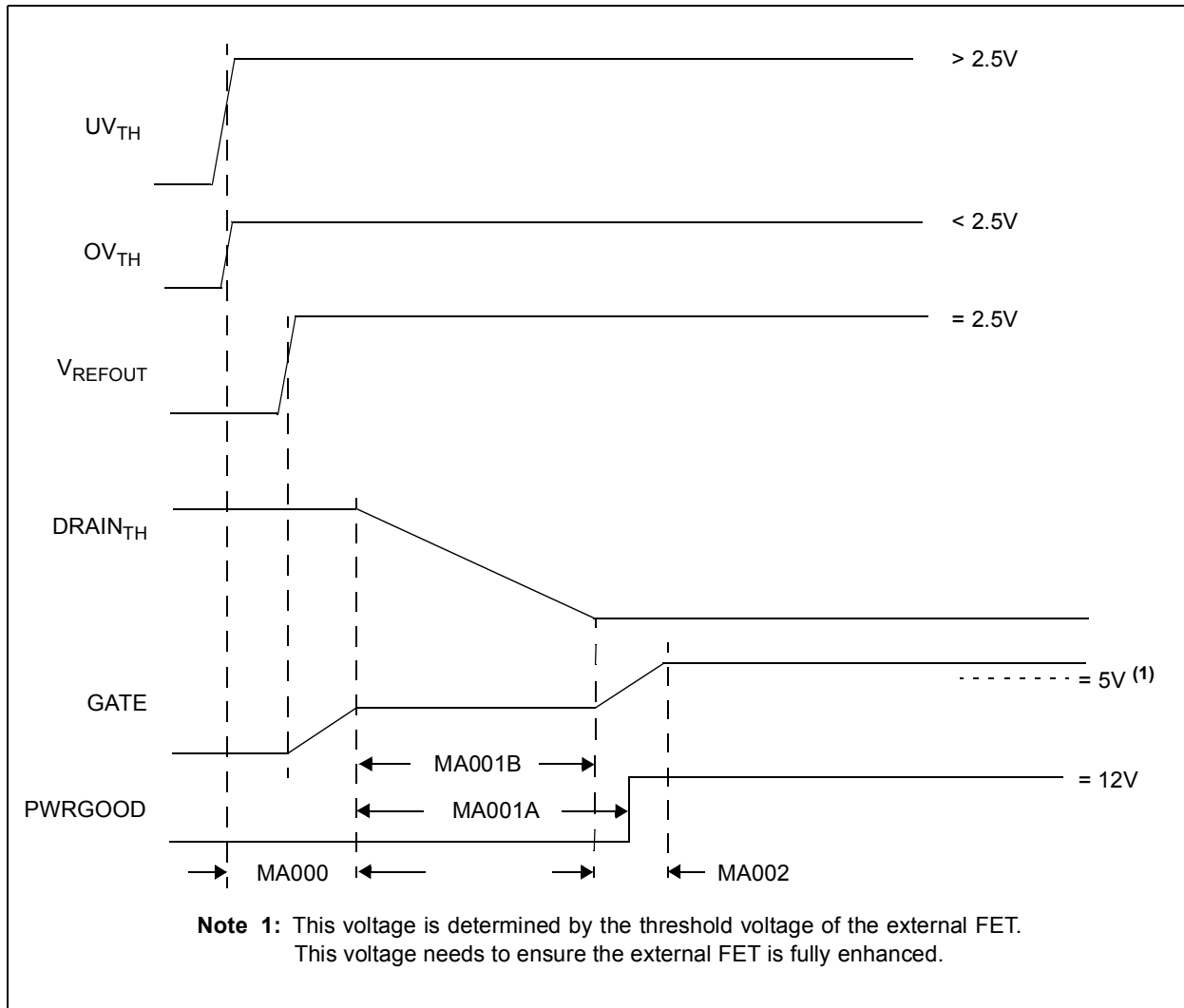
<b>AC CHARACTERISTICS</b>	Standard Operating Conditions (unless otherwise stated) Operating temperature: $-40^{\circ}\text{C} \leq T_A \leq +85^{\circ}\text{C}$ (industrial) Operating voltage VDD range as described in DC spec <a href="#">Section 1.0</a> .
---------------------------	---



**FIGURE 1-1:** Load Conditions for Device Timing Specifications.

# MCP18480

## 1.2 Timing Diagrams and Specifications



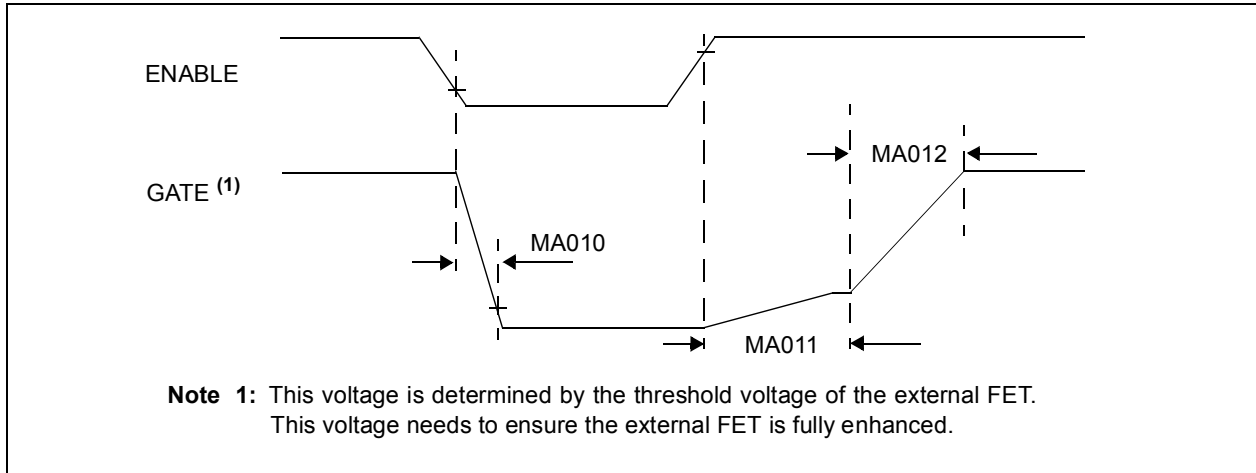
**FIGURE 1-2:** Startup Waveforms.

**TABLE 1-3: STARTUP TIMING REQUIREMENTS**

Param. No.	Parameter	Sym	Min	Typ	Max	Units	Conditions
MA000	UV <sub>TH</sub> /OV <sub>TH</sub> High (V <sub>POS</sub> applied) to DRAIN <sub>TH</sub> falling	T <sub>UVOVH2DTHF</sub>	—	20.2	—	ms	
MA001A	DRAIN <sub>TH</sub> falling to PWRGOOD High	T <sub>DTHF2GATEPGH</sub>	—	19.3	—	ms	
MA001B	DRAIN <sub>TH</sub> falling to GATE Fast Ramp	T <sub>DTHF2GATEFR</sub>	—	13.1	—	ms	
MA002	GATE Fast Ramp to external FET fully enhanced	T <sub>GATEFR2FETE</sub>	—	16.1	—	ms	

**Note:** Minimum and maximum specifications will be provided in future revisions of this data sheet.





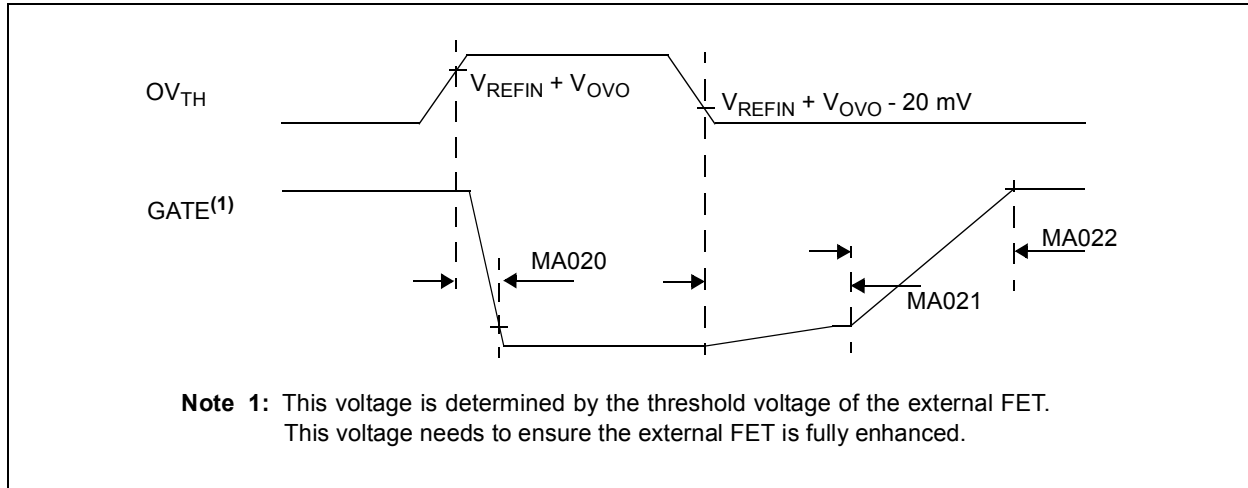
**FIGURE 1-3:** ENABLE-to-GATE Waveforms.

**TABLE 1-4: ENABLE-TO-GATE TIMING REQUIREMENTS**

Param. No.	Parameter	Sym	Min	Typ	Max	Units	Conditions
MA010	ENABLE Low to GATE Low	$T_{ENL2GATEL}$	—	23.6	—	$\mu s$	
MA011	ENABLE High to GATE Fast Ramp	$T_{ENH2GATEFR}$	—	41	—	ms	
MA012	GATE Fast Ramp to GATE High	$T_{GATEFR2GATEH}$	—	17.8	—	ms	

**Note:** Minimum and maximum specifications will be provided in future revisions of this data sheet.

# MCP18480

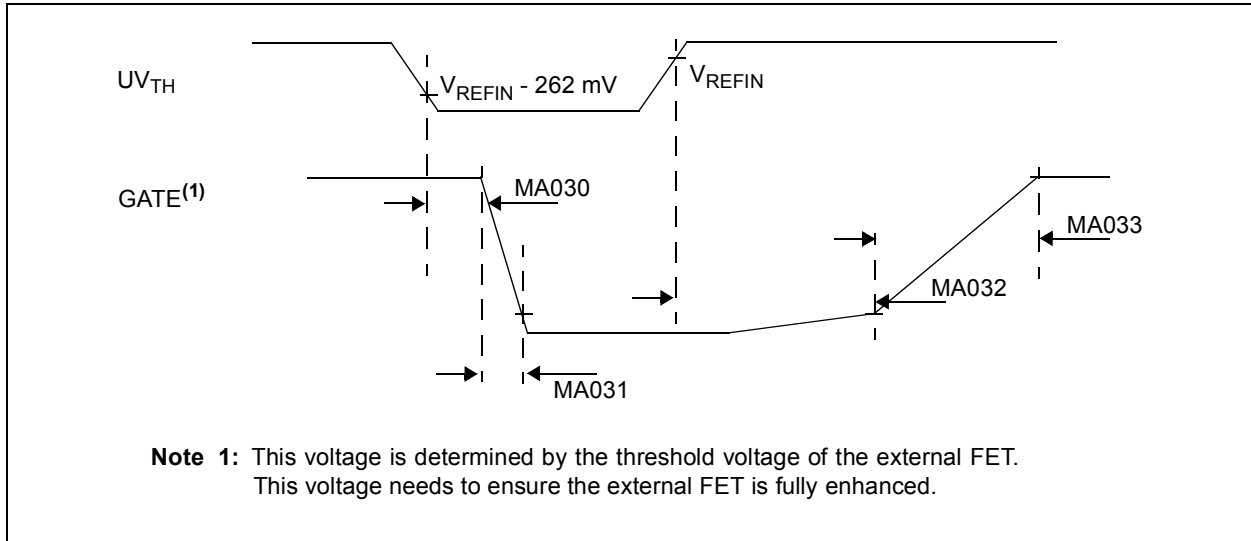


**FIGURE 1-4:**  $OV_{TH}$ -to-gate Waveform.

**TABLE 1-5:  $OV_{TH}$ -TO-GATE TIMING REQUIREMENTS**

Param. No.	Parameter	Sym	Min	Typ	Max	Units	Conditions
MA020	$OV_{TH}$ High to GATE Low	$T_{OVH2GATEL}$	—	58.4	—	$\mu\text{s}$	
MA021	$OV_{TH}$ Low to GATE Fast Ramp	$T_{OVL2GATEFR}$	—	40.8	—	$\mu\text{s}$	
MA022	GATE Fast Ramp to GATE High	$T_{GATEFR2GATEH}$	—	17.8	—	ms	

**Note:** Minimum and maximum specifications will be provided in future revisions of this data sheet.



**FIGURE 1-5:**  $UV_{TH}$ -to-gate Waveform

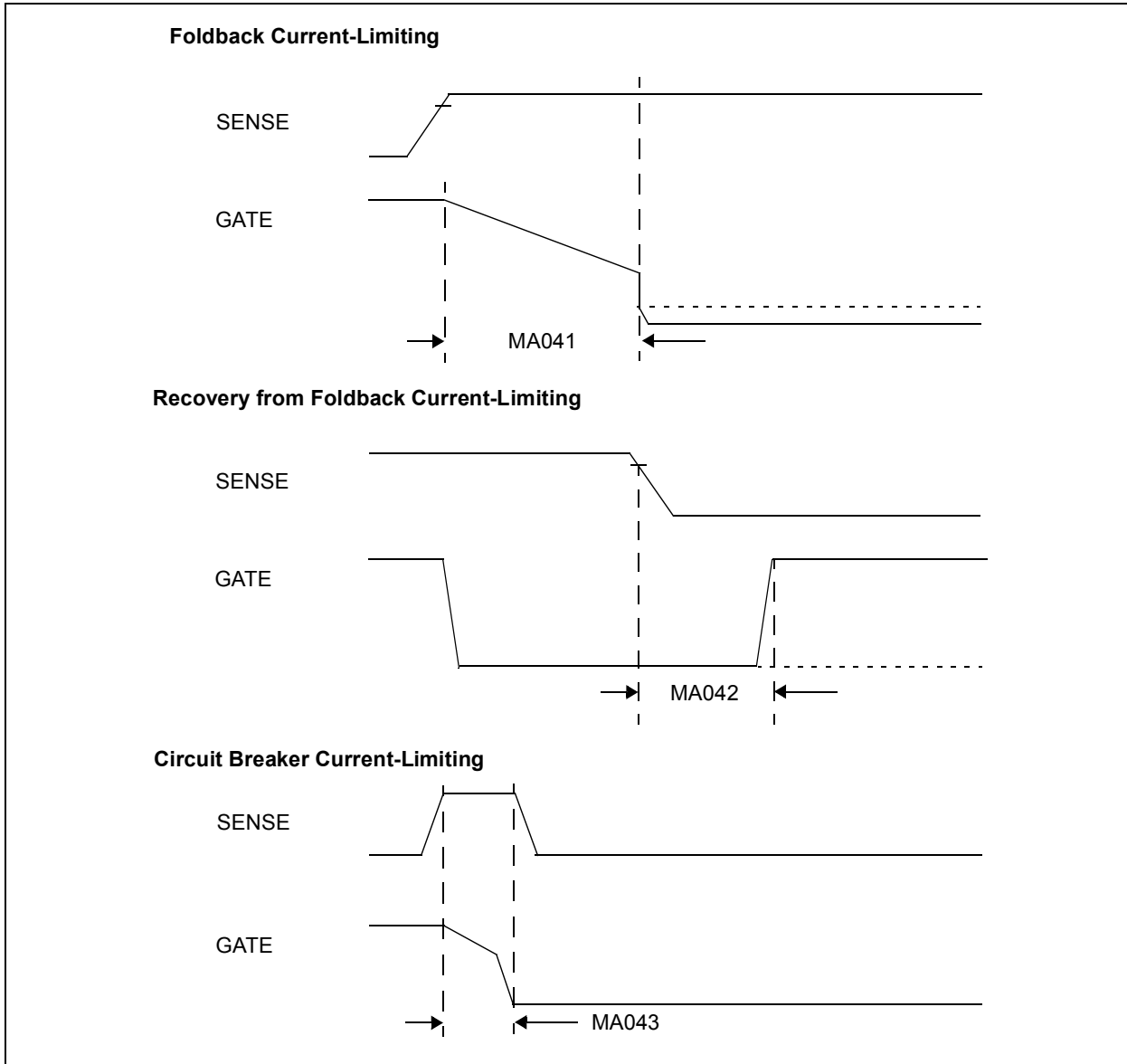
**TABLE 1-6:  $UV_{TH}$ -TO-GATE TIMING REQUIREMENTS**

Param. No.	Parameter	Sym	Min	Typ <sup>(1)</sup>	Max	Units	Conditions
MA030	$UV_{TH}$ Low to GATE Falling Edge	$T_{UVL2GATEF}$	—	108	—	$\mu\text{s}$	$C_{UVD} = 800\text{ nF}$
MA031	GATE High to GATE Low	$T_{GATEH2GATEL}$	—	25.8	—	$\mu\text{s}$	
MA032	ENABLE High to GATE Fast Ramp	$T_{UVH2GATEFR}$	—	40.4	—	ms	
MA033	GATE Fast Ramp to GATE High	$T_{GATEFR2GATEH}$	—	58.4	—	ms	

**Note 1:** Data in the Typical (“Typ”) column is at 5V, 25°C, unless otherwise stated.

**2:** Minimum and maximum specifications will be provided in future revisions of this data sheet.

# MCP18480

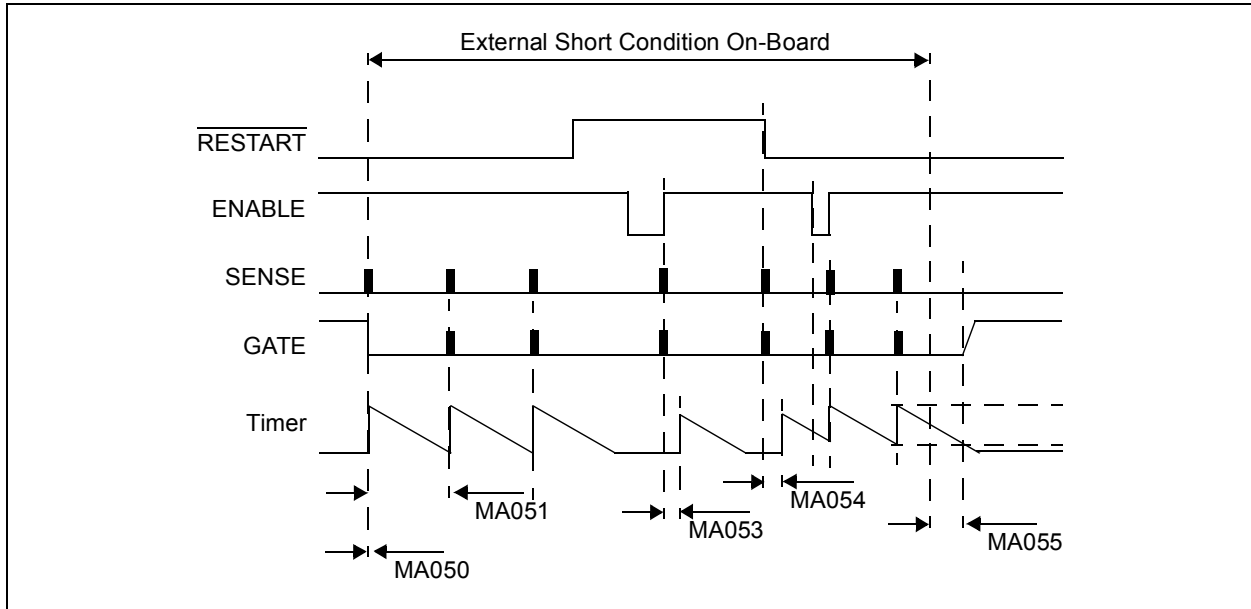


**FIGURE 1-6:** Sense-to-gate Waveform.

**TABLE 1-7: SENSE-TO-GATE TIMING REQUIREMENTS**

Param. No.	Parameter	Sym	Min	Typ	Max	Units	Conditions
MA041	GATE Current Limit to GATE Off	$T_{GATECL2GATEO}$	—	5.5	—	ms	$C_{TIMER} = 0.68 \mu F$ $R_{ISET} = 124 k\Omega$
MA042	GATE Current Limit Recovery	$T_{GATECL}$	—	10.2	—	ms	$C_{TIMER} = 0.68 \mu F$ $R_{ISET} = 124 k\Omega$
MA043	SENSE High to GATE Off	$T_{SENSEH2GATEO}$	—	3.6	—	ms	

**Note:** Minimum and maximum specifications will be provided in future revisions of this data sheet.



**FIGURE 1-7:** Current Limit Waveform.

**TABLE 1-8: CURRENT LIMIT TIMING REQUIREMENTS**

Param. No.	Parameter	Sym	Min	Typ	Max	Units	Conditions
MA050	External Short to Timer period start	$T_{\text{SHORT}2\text{TIMER}S}$	—	171	—	mS	
MA051	Timer period	$T_{\text{TIMER}P}$	—	5.8	—	sec	$C_{\text{TIMER}} = 0.68 \mu\text{F}$ $R_{\text{DISCH}} = 1.6 \text{M}\Omega$
MA053	ENABLE High to Timer period start	$T_{\text{ENABLE}H2\text{TIMER}S}$	—	30.5	—	mS	$C_{\text{TIMER}} = 0.68 \mu\text{F}$ $R_{\text{DISCH}} = 1.6 \text{M}\Omega$
MA054	RESTART Low to Timer period start	$T_{\text{RESTART}L2\text{TIMER}S}$	—	30.9	—	mS	$C_{\text{TIMER}} = 0.68 \mu\text{F}$ $R_{\text{DISCH}} = 11.6 \text{M}\Omega$
MA055	External Short removed to Timer off <b>Note 2</b>	$T_{\text{NOSHORT}2\text{TIMER}O}$	—	5.8	—	sec	$C_{\text{TIMER}} = 0.68 \mu\text{F}$ $R_{\text{DISCH}} = 1.6 \text{M}\Omega$

**Note 1:** Minimum and maximum specifications will be provided in future revisions of this data sheet.

**Note 2:** This is up to one additional timer period because the external short circuit is removed asynchronously to the timer. The timer must time out before normal operation returns.

# MCP18480

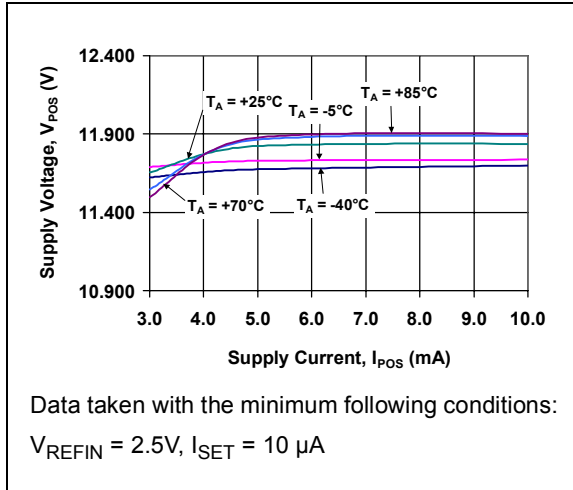
---

---

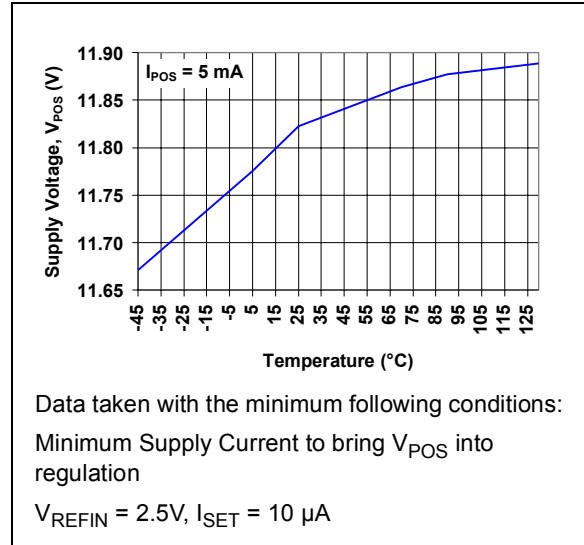
NOTES:

## 2.0 DC CHARACTERISTIC CURVES

**Note:** The graphs and tables provided following this note are a statistical summary based on a limited number of samples and are provided for informational purposes only. The performance characteristics listed herein are not tested or guaranteed. In some graphs or tables, the data presented may be outside the specified operating range (e.g., outside specified power supply range) and therefore outside the warranted range.

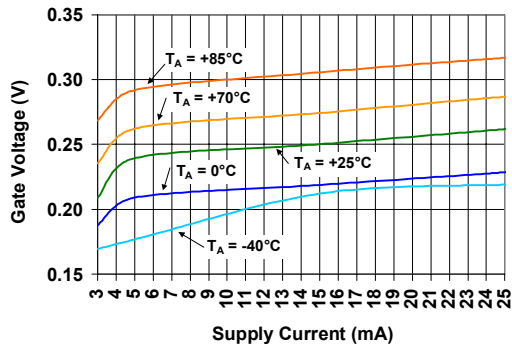


**FIGURE 2-1:** Supply Current ( $I_{POS}$ ) vs. Supply Voltage ( $V_{POS}$ ).



**FIGURE 2-2:** Minimum Supply Current vs. Temperature.

# MCP18480



Data taken with the minimum following conditions:

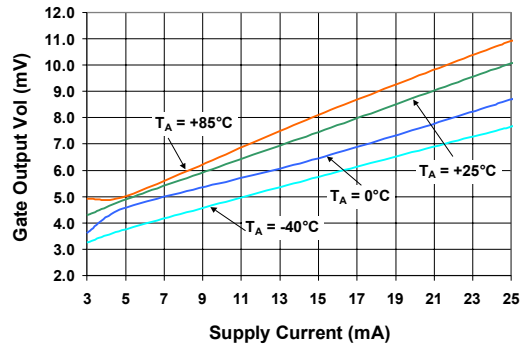
$$3 \text{ mA} \leq I_{POS} \leq 30 \text{ mA}$$

$$V_{REFIN} = 2.5\text{V}, I_{SET} = 10 \mu\text{A}$$

**Note 1:**

- $V_{UVTH} > V_{VREFIN}$
- $V_{OVTH} < V_{VREFIN}$
- $V_{SENSE} = V_{VNEG}$
- $V_{VFB} = V_{VNEG}$
- $V_{DRAINTH} = V_{VNEG}$
- $V_{OVO} = V_{VNEG}$
- $V_{CL} = V_{VREFIN}$
- $V_{ENABLE} = 5\text{V (open)}$
- $V_{RESTART} = V_{VNEG (open)}$

**FIGURE 2-3:** GATE Output High-Voltage ( $V_{POS} - V_{GATE}$ ) vs. Supply Current ( $I_{POS}$ ).



Data taken with the minimum following conditions:

$$3 \text{ mA} \leq I_{POS} \leq 30 \text{ mA}$$

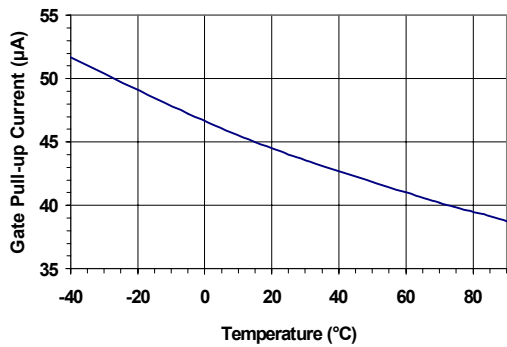
$$V_{REFIN} = 2.5\text{V}, I_{SET} = 10 \mu\text{A}$$

**Note 1:**

- $V_{UVTH} > V_{VREFIN}$
- $V_{OVTH} < V_{VREFIN}$
- $V_{SENSE} = V_{VNEG}$
- $V_{VFB} = V_{VNEG}$
- $V_{DRAINTH} = V_{VNEG}$
- $V_{OVO} = V_{VNEG}$
- $V_{CL} = V_{VREFIN}$
- $V_{ENABLE} = V_{VNEG}$
- $V_{RESTART} = V_{VNEG (open)}$

**FIGURE 2-4:** GATE Output Low-Voltage ( $V_{GATE} - V_{NEG}$ ) vs. Supply Current ( $I_{POS}$ ).





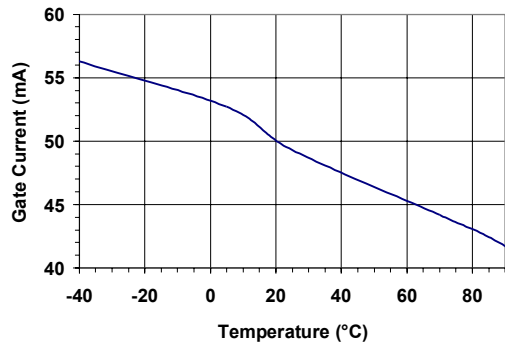
Data taken with the minimum following conditions:

$I_{POS} = 5 \text{ mA}$   
 (Enables  $V_{POS}$  at its self-regulating voltage)  
 $V_{REFIN} = 2.5\text{V}$ ,  $I_{SET} = 10 \text{ } \mu\text{A}$

**Note 1:**

$V_{UVTH} > V_{VREFIN}$   
 $V_{OVTH} < V_{VREFIN}$   
 $V_{SENSE} = V_{VNEG}$   
 $V_{VFB} = V_{VNEG}$   
 $V_{DRAINTH} = V_{VNEG}$   
 $V_{OVO} = V_{VNEG}$   
 $V_{CL} = V_{VREFIN}$   
 $V_{ENABLE} = 5\text{V (open)}$

**FIGURE 2-5:** GATE Source (Pull-Up) Current vs. Temperature.



Data taken with the minimum following conditions:

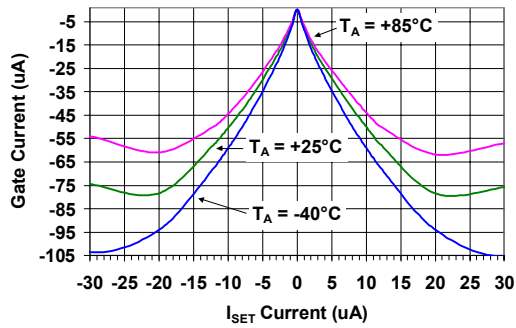
$I_{POS} = 5 \text{ mA}$   
 (Enables  $V_{POS}$  at its self-regulating voltage)  
 $V_{REFIN} = 2.5\text{V}$ ,  $I_{SET} = 10 \text{ } \mu\text{A}$

**Note 1:**

$V_{GATE} > 0.5\text{V}$   
 $V_{UVTH} > V_{VREFIN}$   
 $V_{OVTH} < V_{VREFIN}$   
 $V_{SENSE} = V_{VNEG}$   
 $V_{VFB} = V_{VNEG}$   
 $V_{DRAINTH} = V_{VNEG}$   
 $V_{OVO} = V_{VNEG}$   
 $V_{CL} = V_{VREFIN}$   
 $V_{ENABLE} = V_{VNEG}$   
 $V_{RESTART} = V_{VNEG (open)}$

**FIGURE 2-6:** GATE Sink (Pull-Down) Current vs. Temperature.

# MCP18480



Data taken with the minimum following conditions:

$-50 \mu\text{A} < I_{SET} < 50 \mu\text{A}$  ( $I_{SET} \neq 0$ )

$I_{POS} = 5 \text{ mA}$

(Enables  $V_{POS}$  at its self-regulating voltage)

$V_{REFIN} = 2.5\text{V}$

**Note 1:**

$V_{GATE} > 0.5\text{V}$

$V_{UVTH} > V_{VREFIN}$

$V_{OVTH} < V_{VREFIN}$

$V_{SENSE} = V_{VNEG}$

$V_{VFB} = V_{VNEG}$

$V_{DRAINTH} = V_{VNEG}$

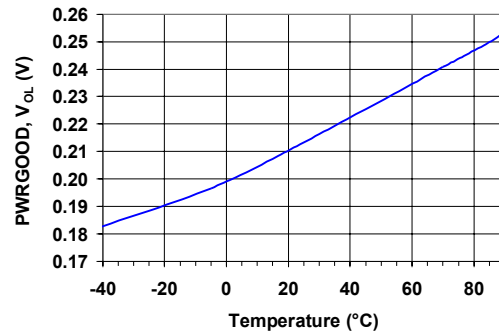
$V_{OVO} = V_{VNEG}$

$V_{CL} = V_{VREFIN}$

$V_{ENABLE} = 5\text{V}$  (open)

$V_{RESTART} = V_{VNEG}$  (open)

**FIGURE 2-7:** GATE Source Current vs.  $I_{SET}$  Pin Current.



Data taken with the minimum following conditions:

$I_{LOAD} = 1 \text{ mA}$

$I_{POS} = 5 \text{ mA}$

(Enables  $V_{POS}$  at its self-regulating voltage)

$V_{REFIN} = 2.5\text{V}$ ,  $I_{SET} = 10 \mu\text{A}$

**Note 1:**

$V_{UVTH} > V_{VREFIN}$

$V_{OVTH} < V_{VREFIN}$

$V_{SENSE} = V_{VNEG}$

$V_{VFB} = V_{VNEG}$

$V_{DRAINTH} = V_{VNEG}$

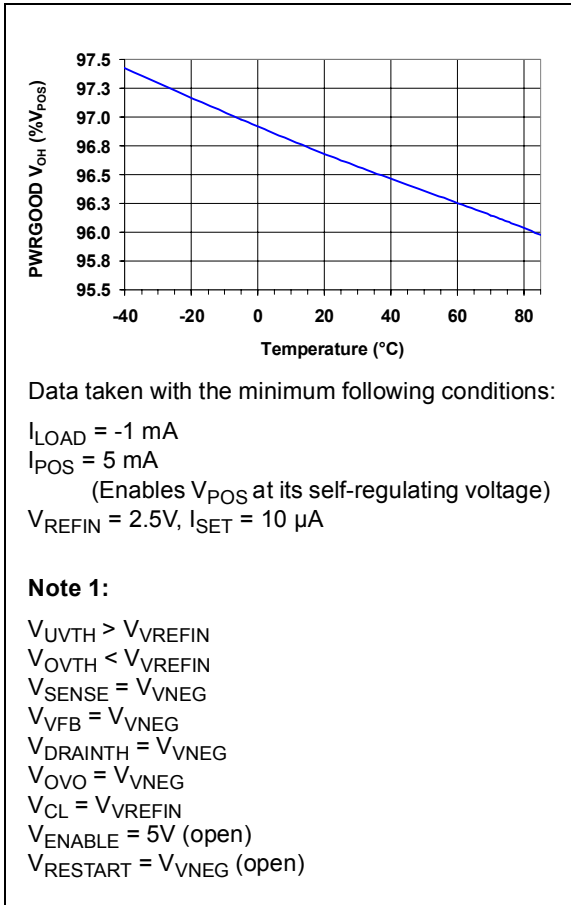
$V_{OVO} = V_{VNEG}$

$V_{CL} = V_{VREFIN}$

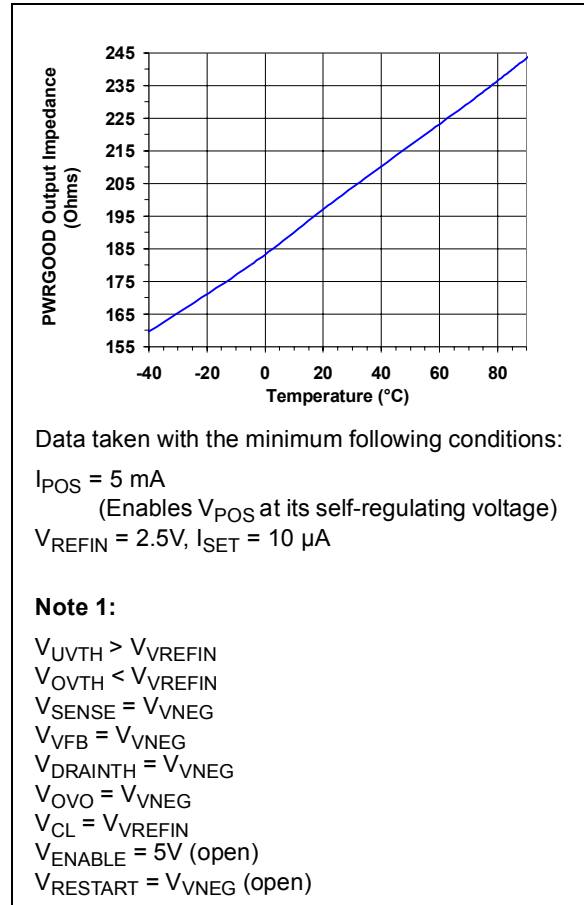
$V_{ENABLE} = 5\text{V}$  (open)

$V_{RESTART} = V_{VNEG}$  (open)

**FIGURE 2-8:** PWRGOOD Output Low Voltage ( $V_{OL}$ ) vs. Temperature.

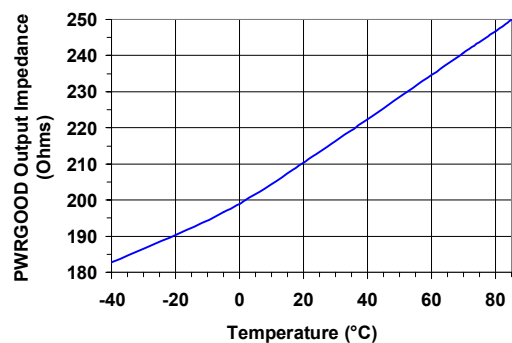


**FIGURE 2-9:** PWRGOOD Output High-Voltage ( $V_{OH}$ ) vs. Temperature.



**FIGURE 2-10:** PWRGOOD Output High-Impedance vs. Temperature.

# MCP18480



Data taken with the minimum following conditions:

$I_{POS} = 5 \text{ mA}$   
(Enables  $V_{POS}$  at its self-regulating voltage)

$V_{REFIN} = 2.5\text{V}$ ,  $I_{SET} = 10 \mu\text{A}$

**Note 1:**

$V_{UVTH} > V_{VREFIN}$

$V_{OVTH} < V_{VREFIN}$

$V_{SENSE} = V_{VNEG}$

$V_{VFB} = V_{VNEG}$

$V_{DRAINTH} = V_{VNEG}$

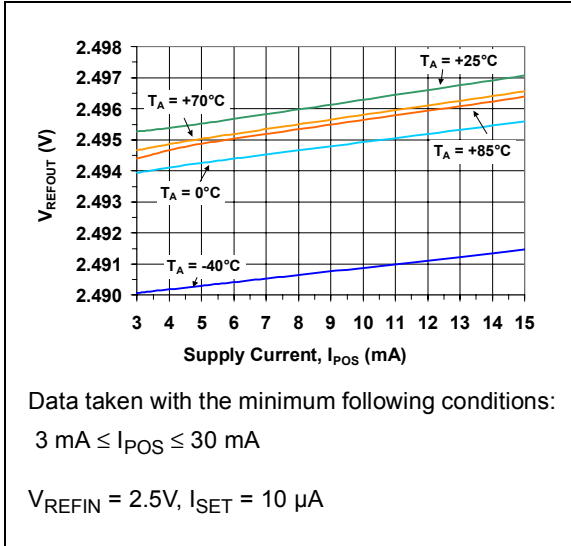
$V_{OVO} = V_{VNEG}$

$V_{CL} = V_{VREFIN}$

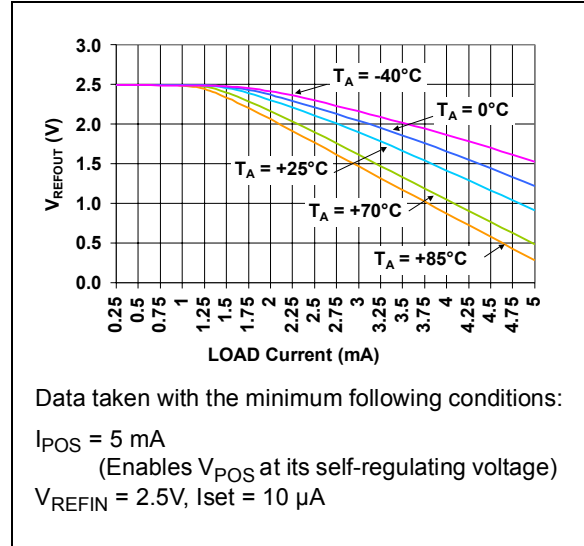
$V_{ENABLE} = 5\text{V}$  (open)

$V_{RESTART} = V_{VNEG}$  (open)

**FIGURE 2-11:** PWRGOOD Output Low-Impedance vs. Temperature.

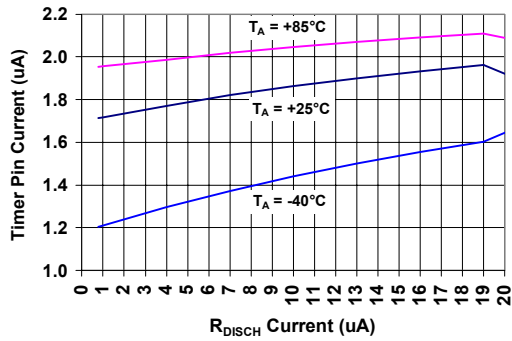


**FIGURE 2-12:**  $V_{REFOUT}$  vs. Supply Current ( $I_{POS}$ ).



**FIGURE 2-13:**  $V_{REFOUT}$  vs. LOAD.

# MCP18480



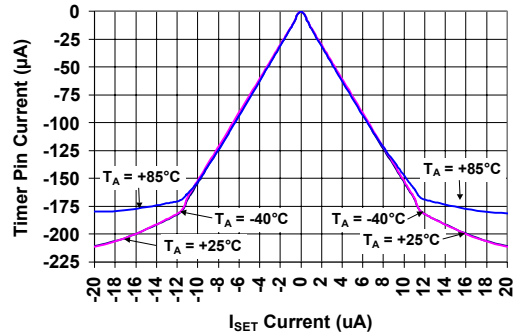
Data taken with the minimum following conditions:

- 50  $\mu A < I_{ISET} < 50 \mu A$  ( $I_{ISET} \neq 0$ )
- $I_{POS} = 5 \text{ mA}$
- (Enables  $V_{POS}$  at its self-regulating voltage)
- $V_{REFIN} = 2.5V$

**Note 1:**

- $V_{UVTH} > V_{VREFIN}$
- $V_{OVTH} < V_{VREFIN}$
- $V_{SENSE} = V_{VNEG}$
- $V_{VFB} = V_{VNEG}$
- $V_{DRAINTH} = V_{VNEG}$
- $V_{OVO} = V_{VNEG}$
- $V_{CL} = V_{VREFIN}$
- $V_{ENABLE} = 5V$  (open)
- $V_{RESTART} = V_{VNEG}$  (open)

**FIGURE 2-14:** TIMER Pin Output Low Current vs.  $R_{DISCH}$  Current.



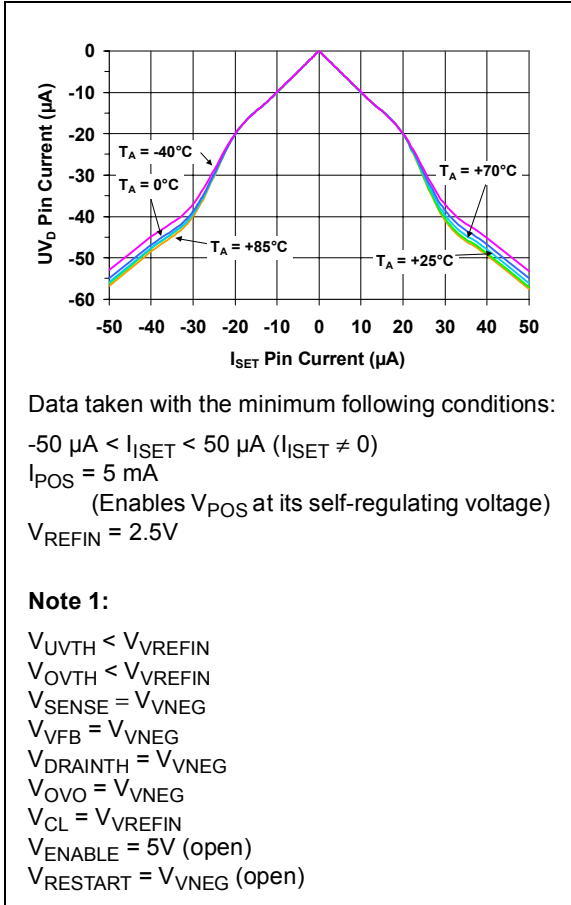
Data taken with the minimum following conditions:

- 50  $\mu A < I_{ISET} < 50 \mu A$  ( $I_{ISET} \neq 0$ )
- $I_{POS} = 5 \text{ mA}$
- (Enables  $V_{POS}$  at its self-regulating voltage)
- $V_{REFIN} = 2.5V$

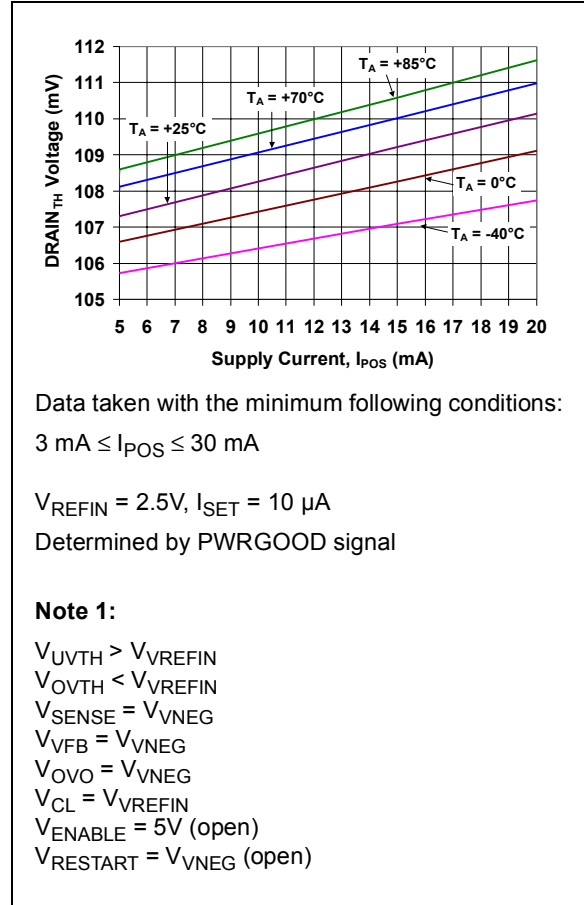
**Note 1:**

- $V_{UVTH} > V_{VREFIN}$
- $V_{OVTH} < V_{VREFIN}$
- $V_{SENSE} \geq 100mV$
- $V_{VFB} = V_{VNEG}$
- $V_{DRAINTH} = V_{VNEG}$
- $V_{OVO} = V_{VNEG}$
- $V_{CL} = V_{VREFIN}$
- $V_{ENABLE} = 5V$  (open)
- $V_{RESTART} = V_{VNEG}$  (open)

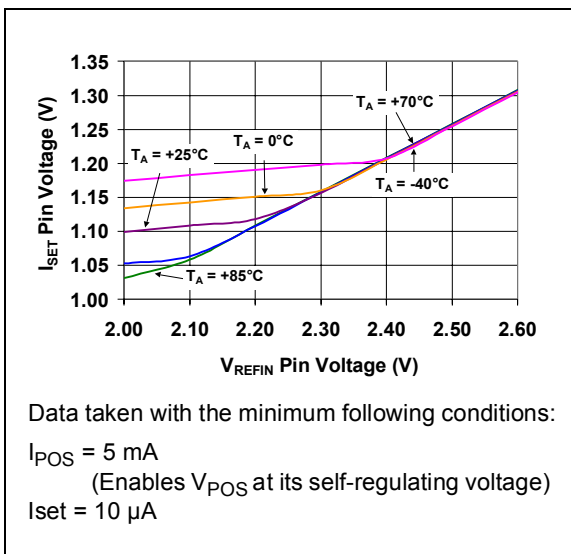
**FIGURE 2-15:** TIMER Pin Output High Current vs.  $I_{SET}$  Current.



**FIGURE 2-16:**  $UV_D$  Pin Current vs.  $I_{\text{SET}}$  Pin Current.

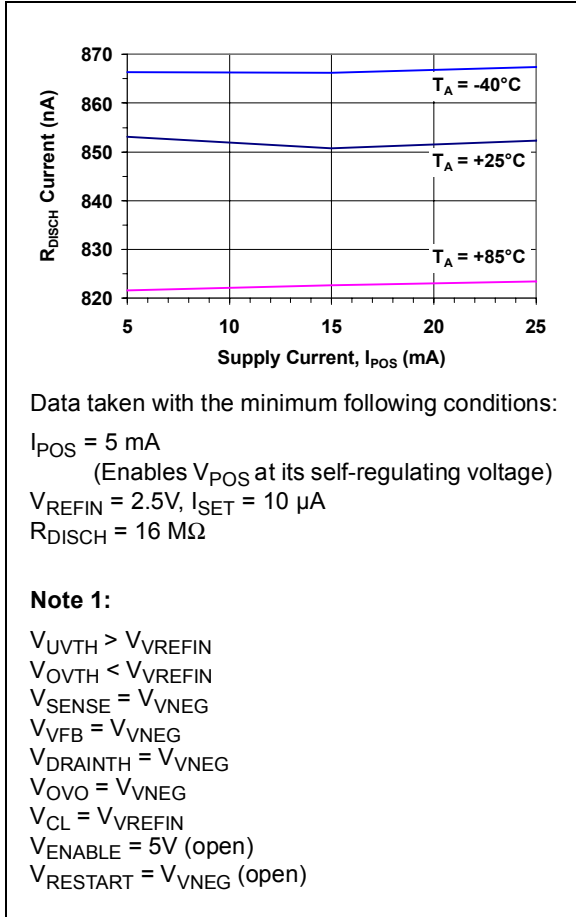


**FIGURE 2-18:**  $DRAIN_{\text{TH}}$  Threshold Voltage vs. Supply current ( $I_{\text{POS}}$ ).

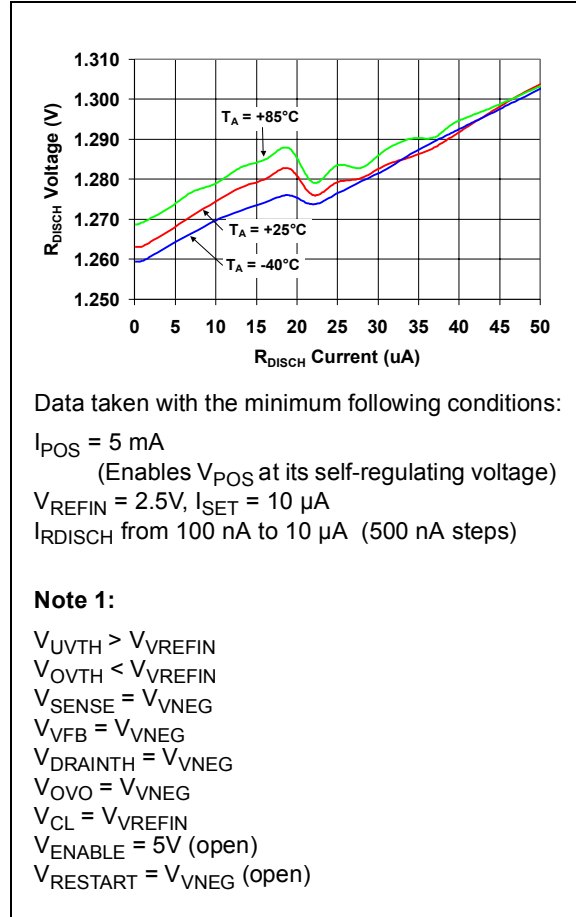


**FIGURE 2-17:**  $I_{\text{SET}}$  Pin Voltage vs.  $V_{\text{REFIN}}$  Pin Voltage.

# MCP18480

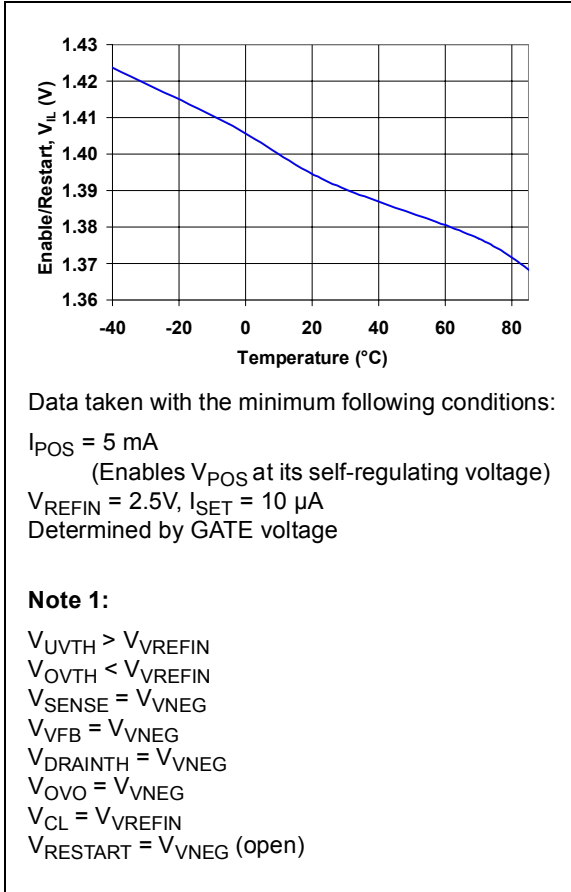


**FIGURE 2-19:**  $R_{DISCH}$  Current vs. Supply Current ( $I_{POS}$ ).



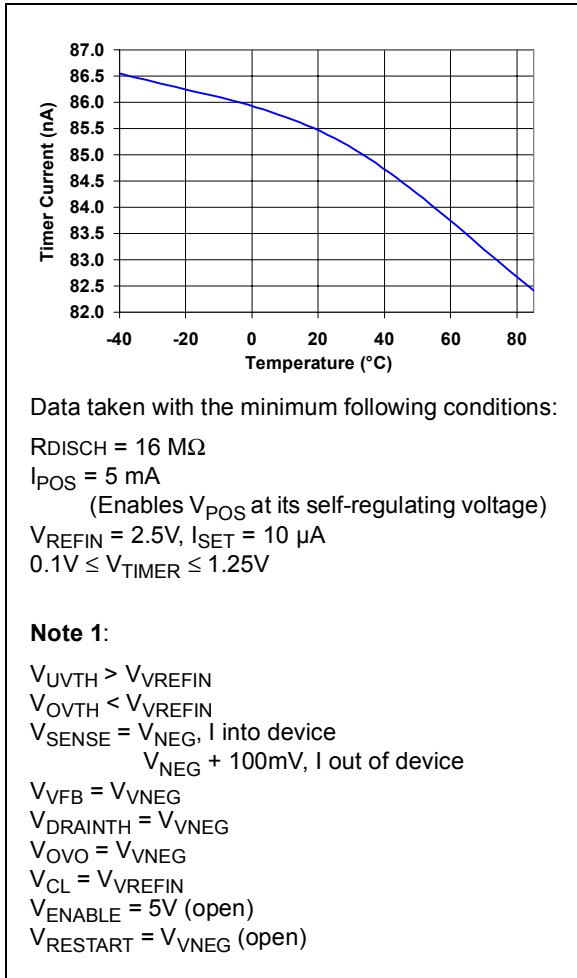
**FIGURE 2-20:**  $R_{DISCH}$  Voltage vs.  $R_{DISCH}$  Current.



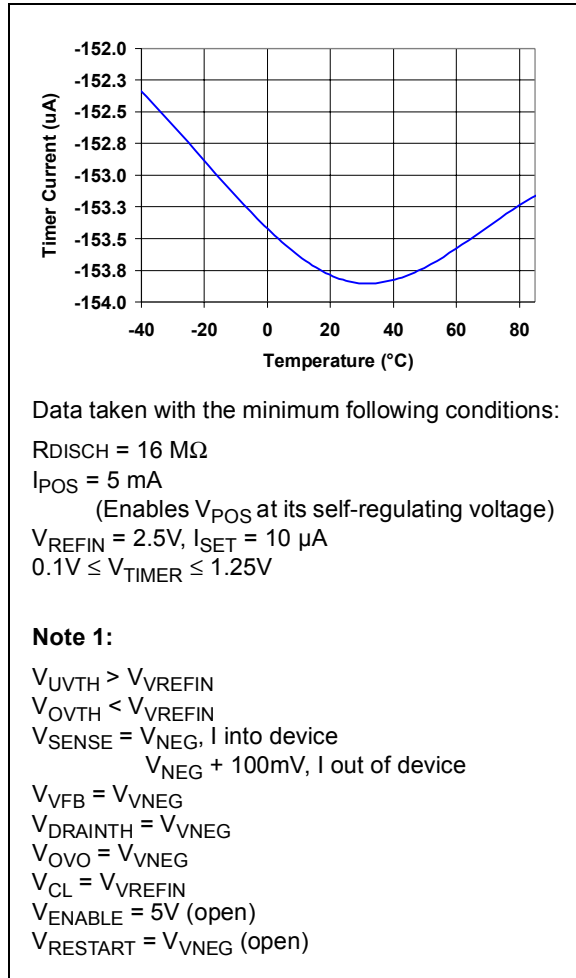


**FIGURE 2-21:** *ENABLE/RESTART Pin Trip Point Voltage vs. Temperature.*

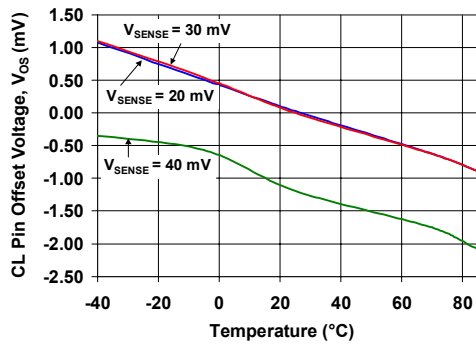
# MCP18480



**FIGURE 2-22:** *TIMER Output Sink Current vs. Temperature.*



**FIGURE 2-23:** *TIMER Output Source Current vs. Temperature.*



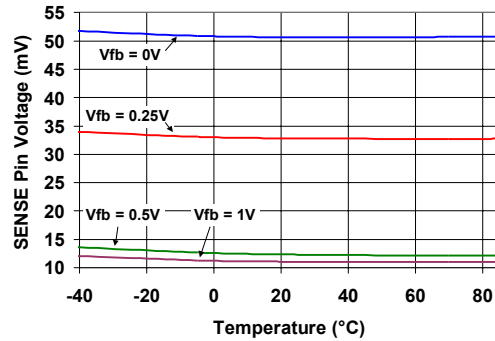
Data taken with the minimum following conditions:

$I_{POS} = 5\text{ mA}$   
 (Enables  $V_{POS}$  at its self-regulating voltage)  
 $V_{REFIN} = 2.5\text{ V}$ ,  $I_{SET} = 10\text{ }\mu\text{A}$

**Note 1:**

$V_{UVTH} > V_{VREFIN}$   
 $V_{OVTH} < V_{VREFIN}$   
 $V_{SENSE} = 25\text{ mV}$   
 $V_{VFB} = V_{VNEG}$   
 $V_{DRAINTH} = V_{VNEG}$   
 $V_{OVO} = V_{VNEG}$   
 $V_{CL} = V_{VREFIN}$   
 $V_{ENABLE} = 5\text{ V}$  (open)  
 $V_{RESTART} = V_{VNEG}$  (open)

**FIGURE 2-24:** CL pin Input Offset Voltage vs. Temperature.



Data taken with the minimum following conditions:

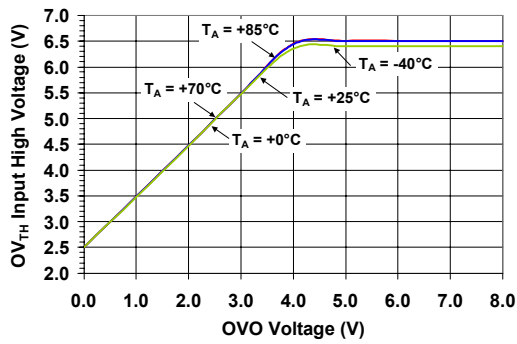
$I_{POS} = 5\text{ mA}$   
 (Enables  $V_{POS}$  at its self-regulating voltage)  
 $V_{REFIN} = 2.5\text{ V}$ ,  $I_{SET} = 10\text{ }\mu\text{A}$   
 Use TIMER pin as indicator

**Note 1:**

$V_{UVTH} > V_{VREFIN}$   
 $V_{OVTH} < V_{VREFIN}$   
 $V_{VFB} = V_{VNEG}$ ,  $V_{VNEG} + 250\text{ mV}$ ,  
 $V_{VNEG} + 500\text{ mV}$ ,  $V_{VNEG} + 1\text{ V}$   
 $V_{DRAINTH} = V_{VNEG}$   
 $V_{OVO} = V_{VNEG}$   
 $V_{CL} = V_{VREFIN}$   
 $V_{ENABLE} = 5\text{ V}$  (open)  
 $V_{RESTART} = V_{VNEG}$  (open)

**FIGURE 2-25:** SENSE Pin Input Threshold vs. Temperature.

# MCP18480



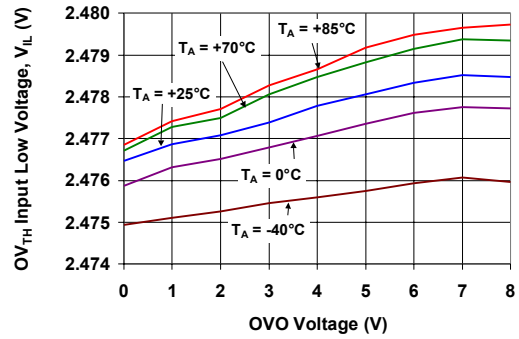
Data taken with the minimum following conditions:

$I_{POS} = 5 \text{ mA}$   
 (Enables  $V_{POS}$  at its self-regulating voltage)  
 $OVO = V_{NEG}$  to 8V  
 $V_{REFIN} = 2.5V$ ,  $I_{SET} = 10 \mu A$   
 Use PWRGOOD pin as indicator

**Note 1:**

$V_{UVTH} > V_{VREFIN}$   
 $V_{SENSE} = V_{VNEG}$   
 $V_{VFB} = V_{VNEG}$   
 $V_{DRAINTH} = V_{VNEG}$   
 $V_{CL} = V_{VREFIN}$   
 $V_{ENABLE} = 5V$  (open)  
 $V_{RESTART} = V_{VNEG}$  (open)

**FIGURE 2-26:**  $OV_{TH}$  Input Rising Threshold vs. OVO Voltage.



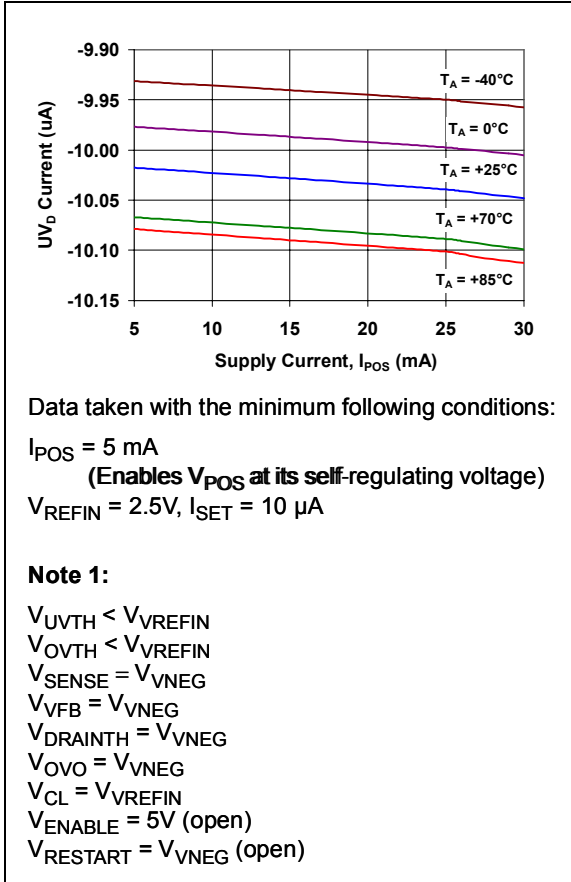
Data taken with the minimum following conditions:

$I_{POS} = 5 \text{ mA}$   
 (Enables  $V_{POS}$  at its self-regulating voltage)  
 $OVO = V_{NEG}$  to 8V  
 $V_{REFIN} = 2.5V$ ,  $I_{SET} = 10 \mu A$   
 Use PWRGOOD pin as indicator

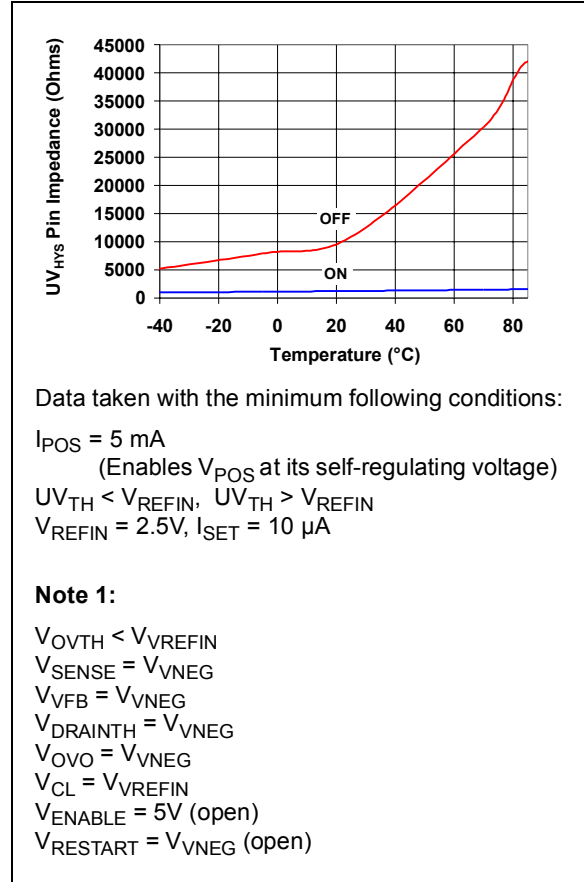
**Note 1:**

$V_{UVTH} > V_{VREFIN}$   
 $V_{SENSE} = V_{VNEG}$   
 $V_{VFB} = V_{VNEG}$   
 $V_{DRAINTH} = V_{VNEG}$   
 $V_{CL} = V_{VREFIN}$   
 $V_{ENABLE} = 5V$  (open)  
 $V_{RESTART} = V_{VNEG}$  (open)

**FIGURE 2-27:**  $OV_{TH}$  Input Falling Threshold vs. OVO Voltage.

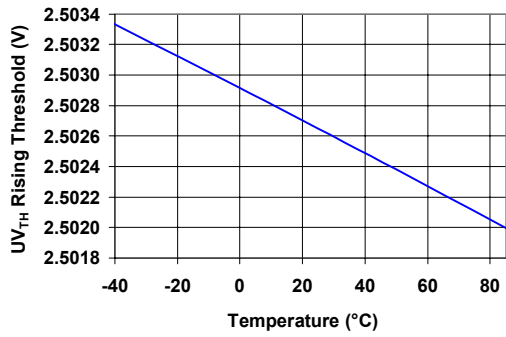


**FIGURE 2-28:**  $UV_D$  Current vs. Supply Current ( $I_{POS}$ ).



**FIGURE 2-29:**  $UV_{HYS}$  Pin Impedance vs. Temperature.

# MCP18480



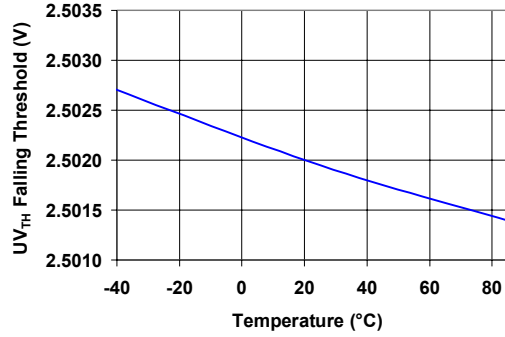
Data taken with the minimum following conditions:

$I_{POS} = 5 \text{ mA}$   
 (Enables  $V_{POS}$  at its self-regulating voltage)  
 $V_{REFIN} = 2.5\text{V}$ ,  $I_{SET} = 10 \mu\text{A}$   
 Use PWRGOOD pin as indicator

**Note 1:**

$V_{OVTH} < V_{VREFIN}$   
 $V_{SENSE} = V_{VNEG}$   
 $V_{VFB} = V_{VNEG}$   
 $V_{DRAINTH} = V_{VNEG}$   
 $V_{OVO} = V_{VNEG}$   
 $V_{CL} = V_{VREFIN}$   
 $V_{ENABLE} = 5\text{V (open)}$   
 $V_{RESTART} = V_{VNEG (open)}$

**FIGURE 2-30:**  $UV_{TH}$  Input Rising Threshold vs. Temperature.



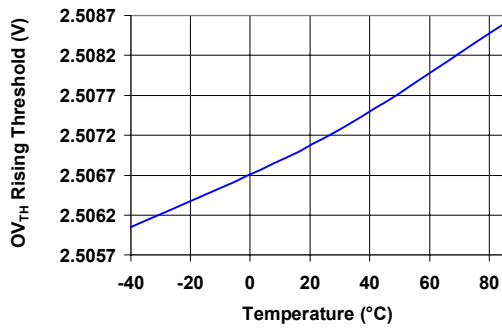
Data taken with the minimum following conditions:

$I_{POS} = 5 \text{ mA}$   
 (Enables  $V_{POS}$  at its self-regulating voltage)  
 $V_{REFIN} = 2.5\text{V}$ ,  $I_{SET} = 10 \mu\text{A}$   
 Use PWRGOOD pin as indicator

**Note 1:**

$V_{OVTH} < V_{VREFIN}$   
 $V_{SENSE} = V_{VNEG}$   
 $V_{VFB} = V_{VNEG}$   
 $V_{DRAINTH} = V_{VNEG}$   
 $V_{OVO} = V_{VNEG}$   
 $V_{CL} = V_{VREFIN}$   
 $V_{ENABLE} = 5\text{V (open)}$   
 $V_{RESTART} = V_{VNEG (open)}$

**FIGURE 2-31:**  $UV_{TH}$  Input Falling Threshold vs. Temperature.



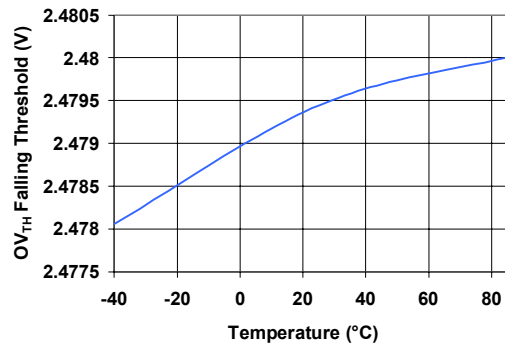
Data taken with the minimum following conditions:

$I_{POS} = 5 \text{ mA}$   
 (Enables  $V_{POS}$  at its self-regulating voltage)  
 $V_{REFIN} = 2.5\text{V}$ ,  $I_{SET} = 10 \mu\text{A}$   
 Use PWRGOOD pin as indicator

**Note 1:**

$V_{OVTH} < V_{VREFIN}$   
 $V_{SENSE} = V_{VNEG}$   
 $V_{VFB} = V_{VNEG}$   
 $V_{DRAINTH} = V_{VNEG}$   
 $V_{OVO} = V_{VNEG}$   
 $V_{CL} = V_{VREFIN}$   
 $V_{ENABLE} = 5\text{V (open)}$   
 $V_{RESTART} = V_{VNEG} \text{ (open)}$

**FIGURE 2-32:**  $OV_{TH}$  Input Rising Threshold vs. Temperature.



Data taken with the minimum following conditions:

$I_{POS} = 5 \text{ mA}$   
 (Enables  $V_{POS}$  at its self-regulating voltage)  
 $V_{REFIN} = 2.5\text{V}$ ,  $I_{SET} = 10 \mu\text{A}$   
 $V_{UVHYS} = V_{VNEG}$   
 Use PWRGOOD pin as indicator

**Note 1:**

$V_{OVTH} < V_{VREFIN}$   
 $V_{SENSE} = V_{VNEG}$   
 $V_{VFB} = V_{VNEG}$   
 $V_{DRAINTH} = V_{VNEG}$   
 $V_{OVO} = V_{VNEG}$   
 $V_{CL} = V_{VREFIN}$   
 $V_{ENABLE} = 5\text{V (open)}$   
 $V_{RESTART} = V_{VNEG} \text{ (open)}$

**FIGURE 2-33:**  $OV_{TH}$  Input Falling Threshold vs. Temperature.

# MCP18480

---

NOTES:



## 3.0 PIN DESCRIPTIONS

TABLE 3-1: MCP18480 PIN DESCRIPTIONS

Pin Name	Pin Number	Pin Direction	Buffer Type	Description
	SSOP			
V <sub>POS</sub>	1	I	P	Positive supply input. Internal Shunt Regulator connected between V <sub>POS</sub> and V <sub>NEG</sub> limits the potential to 12V between these two pins. A series resistor must be placed on the V <sub>POS</sub> pin to limit the current into the device.
OV <sub>TH</sub>	2	I	A	Overvoltage protection threshold. An external resistor divider network is connected to this input pin to program the overvoltage protection threshold. The selected external resistor values for the OV <sub>TH</sub> to system ground and OV <sub>TH</sub> to V <sub>NEG</sub> resistors should have currents in the 1 mA range. A typical Overvoltage threshold is -76V. Internal hysteresis in the overvoltage input comparator will allow proper operation once V <sub>NEG</sub> falls below the selected threshold.
UV <sub>TH</sub>	3	I	A	Undervoltage lockout threshold. An external resistor divider network is connected to this input pin to program the undervoltage lockout threshold. If the voltage on UV <sub>TH</sub> is less than V <sub>NEG</sub> + 2.5V, the undervoltage comparator will trip, indicating an Undervoltage condition. An external hysteresis resistor can be used to set the high-to-low (V <sub>THF</sub> ) threshold below the low-to-high (V <sub>THR</sub> ) threshold. For telecom network equipment, it is desirable to have shutdown occur at -38.5V and the startup set at -43.0V.
UV <sub>HYS</sub>	4	I	A	Undervoltage internal comparator hysteresis. An external resistor is connected between this input to the UV <sub>TH</sub> input pin to adjust the hysteresis of the internal Undervoltage comparator. Since it is desirable to shut down at -38.5V and restart at -43.0V in telecom switch equipment.
UV <sub>D</sub>	5	I/O	A	Undervoltage event delay. An external capacitor is connected to this input pin to set the delay between when the UV <sub>TH</sub> pin drops below the trip point specified by the voltage on the V <sub>REFIN</sub> pin and when the system shutdown occurs (causing the PWRGOOD pin to be driven to an inactive level and the GATE pin to be pulled to the V <sub>NEG</sub> pin voltage level). The UV <sub>D</sub> pin sources a current equivalent to the I <sub>SET</sub> (in typical applications, the I <sub>SET</sub> current equals 10 μA), which charges this external capacitor while an internal comparator compares this voltage on the UV <sub>D</sub> pin to  V <sub>REFIN</sub>  /2. Typically, for telecom equipment, the system is expected to shut down when the input voltage falls below -38.5V (±1.0V DC) for greater than 100 ms.

Legend: TTL = TTL compatible input  
 I = Input  
 P = Power  
 A = Analog

ST = Schmitt Trigger input with CMOS levels  
 O = Output  
 CMOS = CMOS-compatible input  
 D = Digital

# MCP18480

**TABLE 3-1: MCP18480 PIN DESCRIPTIONS (CONTINUED)**

Pin Name	Pin Number	Pin Direction	Buffer Type	Description
	SSOP			
V <sub>REFOUT</sub>	6	O	A	Reference output. Internal reference output voltage (typically 2.5V). Usually tied back to the V <sub>REFIN</sub> pin unless an external high-precision reference voltage is desired.
V <sub>REFIN</sub>	7	I	A	Reference input. This pin allows a high-precision reference voltage for the following functions: <ul style="list-style-type: none"> <li>• Undervoltage Comparator</li> <li>• Overvoltage Comparator</li> <li>• DRAIN Comparator</li> <li>• Current Limit Timer</li> </ul> If the precision of the V <sub>REFOUT</sub> output voltage is acceptable, tie the V <sub>REFOUT</sub> pin to the V <sub>REFIN</sub> pin.
CL	8	I	A	Current Limit. Input used to set the maximum current limit threshold allowed by the system via a resistor divider network (with the resistor R <sub>CL1</sub> between the V <sub>REFIN</sub> pin and the CL pin and resistor R <sub>CL</sub> between the V <sub>NEG</sub> pin and the CL pin). If the voltage across the sense resistor exceeds the voltage on the CL pin, it implies that there is excessive current over the allowed limit and forces the GATE pin to the V <sub>NEG</sub> pin voltage level without delay.
I <sub>SET</sub>	9	I	A	Current source set. Establishes the internal I <sub>SOURCE</sub> for the following: <ul style="list-style-type: none"> <li>• Undervoltage Delay</li> <li>• Current Limit Timer</li> <li>• GATE Pin Source Current</li> </ul> An external resistor R <sub>ISET</sub> from the I <sub>SET</sub> pin must be connected to either the V <sub>NEG</sub> pin or the V <sub>REFIN</sub> pin to set I <sub>BIAS</sub> , which will then establish the current sources throughout the device. The I <sub>BIAS</sub> current is the same for either connection.  Connecting the R <sub>ISET</sub> resistor to the V <sub>NEG</sub> pin will establish the PWRGOOD pin output polarity to be active-high. Connecting the R <sub>ISET</sub> resistor to the V <sub>REFIN</sub> pin will establish the PWRGOOD pin output polarity to be active-low.

Legend: TTL = TTL compatible input

I = Input

P = Power

A = Analog

ST = Schmitt Trigger input with CMOS levels

O = Output

CMOS = CMOS-compatible input

D = Digital

**TABLE 3-1: MCP18480 PIN DESCRIPTIONS (CONTINUED)**

Pin Name	Pin Number	Pin Direction	Buffer Type	Description
	SSOP			
TIMER	10	I	A	<p>Current Limit Timer.</p> <p>The value of the external capacitor (<math>C_{TIMER}</math>) connected to the TIMER pin sets the two time periods used during a current-limit event. These are:</p> <ul style="list-style-type: none"> <li>• The time that the GATE pin will limit the current through the external FET</li> <li>• The time that the GATE pin will disable the external FET</li> </ul> <p>During current limit, a pull-up current source charges up the external capacitor. Until the voltage on the TIMER pin reaches <math>V_{REFIN}/2</math>, the GATE pin is driven to maintain a reduced current flow determined by the <math>V_{DS}</math> of the external FET.</p> <p>While the capacitor is being discharged by the pull-down current (pull-up current is off), the GATE pin is at <math>V_{NEG}</math> and the PWRGOOD pin is deasserted. When the <u>TIMER voltage falls</u> below approximately 100 mV, the GATE pin <u>turns on</u>, if the <u>RESTART</u> pin is low, to reset the internal fault latch. If the <u>RESTART</u> pin is high, the GATE pin remains off until the <u>ENABLE</u> pin is forced low. It is then forced high or the <u>RESTART</u> pin is forced low (asserted).</p> <p>The PWRGOOD pin reasserts after the voltages on the <math>DRAIN_{TH}</math> and GATE pins meet the appropriate conditions.</p> <p>The TIMER pin pull-up current is proportioned to the <math>I_{SET}</math> current (approximately a multiple of 16).</p>
$V_{NEG}$	11	I	P	<p>Negative supply input.</p> <p>The negative voltage applied to the board by the backplane (typically the most negative voltage in the system).</p>
$R_{DISCH}$	12	I	A	<p>External MOSFET activation delay.</p> <p>An external resistor (<math>R_{DISCH}</math>) is connected between the <math>R_{DISCH}</math> pin and the <math>V_{NEG}</math> pin and is used to set the delay between the deactivation and activation of the external pass MOSFET during a current-limit event. The delay is set by the values of the external capacitor (<math>C_{TIMER}</math>) and the external resistor (<math>R_{DISCH}</math>). The formulas are:</p> $T_{DEACT} = (C_{TIMER} \times R_{ISET}) / 16$ $T_{ACT} = (9.2 \times R_{DISCH} \times C_{TIMER})$

Legend: TTL = TTL compatible input  
 I = Input  
 P = Power  
 A = Analog

ST = Schmitt Trigger input with CMOS levels  
 O = Output  
 CMOS = CMOS-compatible input  
 D = Digital

# MCP18480

**TABLE 3-1: MCP18480 PIN DESCRIPTIONS (CONTINUED)**

Pin Name	Pin Number	Pin Direction	Buffer Type	Description
	SSOP			
SENSE	13	I	A	Over-current sense. The voltage on the SENSE input pin is used to detect over-current conditions in the load connected to the external MOSFET. This pin is directly connected to the source of the MOSFET, with an external resistor ( $R_{SENSE}$ ) (typically a low resistance) connected between the source of the MOSFET and $V_{NEG}$ .
GATE	14	O	A	MOSFET gate driver. The GATE output pin attaches to the gate of the external MOSFET. The voltage on the GATE pin is pulled to the voltage on the $V_{NEG}$ pin whenever the voltage on the $UV_{TH}$ pin is less than the voltage on the $V_{REFIN}$ pin, or the voltage on the $OV_{TH}$ pin is greater than the voltage on the $V_{REFIN}$ pin. The GATE pin is also pulled to the voltage on the $V_{NEG}$ pin when the ENABLE input pin is low. When current limit is reached, the voltage on the GATE pin is adjusted to maintain a constant voltage across the $R_{SENSE}$ resistor while the $C_{TIMER}$ capacitor starts to charge. When the voltage on $C_{TIMER}$ exceeds $V_{REFIN}/2$ , the GATE pin is pulled to $V_{NEG}$ to turn off the external MOSFET. A RC network can be added from the GATE pin to the drain of the external MOSFET, along with a capacitor from the GATE pin to the $V_{NEG}$ pin, to control the slew rate of the GATE pin. The GATE pin pull-up current is proportioned to the $I_{SET}$ current.
$V_{FB}$	15	I	A	External MOSFET drain monitor. The $V_{FB}$ input pin monitors the voltage at the drain of the external power MOSFET switch with respect to the voltage on the $V_{NEG}$ pin for use by the internal foldback circuitry. An external resistor divider network ( $R_{FB1}$ and $R_{FB2}$ ) is attached between the drain of this external MOSFET and the $V_{NEG}$ pin ( $R_{FB1}$ is connected between the drain of the external MOSFET and the $V_{FB}$ pin, while $R_{FB2}$ is connected between the $V_{FB}$ pin and the $V_{NEG}$ pin). This prevents high-voltage breakdown of the $V_{FB}$ input.
$DRAIN_{TH}$	16	I	A	MOSFET drain comparator threshold. This pin is used during the power-up sequence of the inserted board, and after any fault condition that 'turns off' the GATE pin drive. The voltage on the pin indicates when the external FET is fully enhanced by comparing the pin voltage to an internal reference voltage (approximately 100 mV derived from the internal band gap reference). An external resistor divider network ( $R_{DRAIN1}$ and $R_{DRAIN2}$ ) is attached between the drain of this external MOSFET and the $V_{NEG}$ pin ( $R_{DRAIN1}$ is connected between the drain of the external MOSFET and the $DRAIN_{TH}$ pin while $R_{DRAIN2}$ is connected between the $DRAIN_{TH}$ pin and the $V_{NEG}$ pin).

Legend: TTL = TTL compatible input

I = Input

P = Power

A = Analog

ST = Schmitt Trigger input with CMOS levels

O = Output

CMOS = CMOS-compatible input

D = Digital

**TABLE 3-1: MCP18480 PIN DESCRIPTIONS (CONTINUED)**

Pin Name	Pin Number	Pin Direction	Buffer Type	Description
	SSOP			
OVO	17	I	A	<p>Overvoltage detect.</p> <p>Typically for normal operation. This pin is tied to <math>V_{NEG}</math>.</p> <p>This feature allows the overvoltage detection input to monitor an overvoltage condition across the power module. The voltage is sensed at the drain of the external MOSFET. The voltage across the load is internally determined based upon:</p> <ul style="list-style-type: none"> <li>• The voltage difference between system ground and the voltage on the <math>V_{NEG}</math> pin</li> <li>• The voltage difference between the drain of the external FET and the voltage on the <math>V_{NEG}</math> pin</li> </ul> <p>An external resistor divider network (<math>R_{OVO1}</math> and <math>R_{OVO2}</math>) is attached between the drain of the external MOSFET and the <math>V_{NEG}</math> pin (<math>R_{OVO1}</math> is connected between the drain of the external MOSFET and the OVO pin, while <math>R_{OVO2}</math> is connected between the OVO pin and the <math>V_{NEG}</math> pin).</p> <p>When the voltage across the external MOSFET (source-to-drain) equals system ground voltage (<math>-V_{NEG} +</math>), the maximum desired load voltage, the GATE pin is forced to the voltage on the <math>V_{NEG}</math> pin (disabling the external MOSFET).</p> <p>To detect Overvoltage on the board (instead of the load) directly, connect the OVO pin to the <math>V_{NEG}</math> pin.</p>
PWRGOOD	18	O	D	<p>Power Good indicator.</p> <p>This state of the output is determined by four conditions. These are:</p> <ul style="list-style-type: none"> <li>• Undervoltage</li> <li>• Overvoltage</li> <li>• Current Limit</li> <li>• External FET is fully-enhanced (from <math>DRAIN_{TH}</math> pin on power-up)</li> </ul> <p>PWRGOOD is a CMOS logic voltage (<math>V_{NEG}</math> or <math>V_{NEG}+12V</math>).</p> <p>PWRGOOD is active when the device has completed power-up and the system is neither in an Undervoltage or Overvoltage condition.</p> <p>Connecting the <math>R_{ISET}</math> pin to the <math>V_{NEG}</math> pin configures the PWRGOOD pin to be active high. Connecting the <math>R_{ISET}</math> pin to the <math>V_{REF}</math> pin configures the PWRGOOD pin to be active low.</p>
ENABLE	19	I	TTL	<p>Enable Gate driver.</p> <p>Used to enable the GATE pin and assert the PWRGOOD pin. The ENABLE pin is active-high and is internally pulled up to 5V. This pin is pulled low by the user to clear the current limit latch when a current-limit fault occurs with <math>\overline{RESTART}</math> high, or to disable the GATE pin.</p> <p>H = Enable the GATE and PWRGOOD pins.</p> <p>L = Disables the GATE pin, deasserts the PWRGOOD pin and clears current limit latch.</p> <p>When the ENABLE pin is high, fault conditions will disable the GATE pin and deasserts the PWRGOOD pin.</p>

Legend: TTL = TTL compatible input

I = Input

P = Power

A = Analog

ST = Schmitt Trigger input with CMOS levels

O = Output

CMOS = CMOS-compatible input

D = Digital

# MCP18480

**TABLE 3-1: MCP18480 PIN DESCRIPTIONS (CONTINUED)**

Pin Name	Pin Number	Pin Direction	Buffer Type	Description
	SSOP			
RESTART	20	I	TTL	<p>Auto-restart enable.</p> <p>Enables the auto-restart feature of the device after an over-current fault.</p> <p>L = The internal fault latch is reset and the device attempts to restart with a frequency determined by the values of the external components <math>C_{TIMER}</math> and <math>R_{DISCH}</math>.</p> <p>H = The auto-restart is disabled, allowing the GATE pin to remain at the <math>V_{NEG}</math> pin voltage after an over-current fault. Internally pulled down to the <math>V_{NEG}</math> pin voltage.</p>

Legend: TTL = TTL compatible input

I = Input

P = Power

A = Analog

ST = Schmitt Trigger input with CMOS levels

O = Output

CMOS = CMOS-compatible input

D = Digital

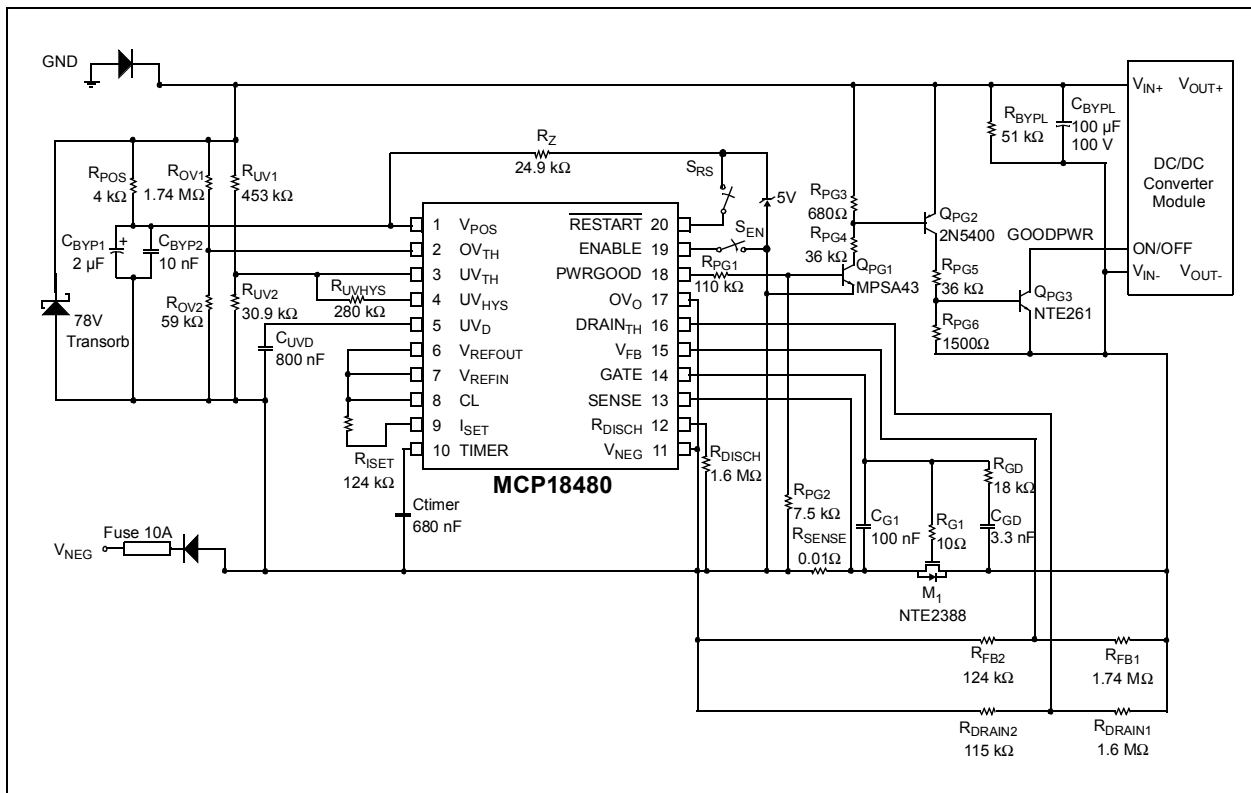
## 4.0 APPLICATIONS INFORMATION

The MCP18480 can be programmed to have the PWRGOOD signal be either active-high or active-low via the ISET pin and the connection of the external R<sub>ISET</sub> resistor (see Section 6.8.8, "Bias Block"). If the R<sub>ISET</sub> resistor is connected between ISET and V<sub>NEG</sub>, the PWRGOOD output pin is an active-high signal. If the R<sub>ISET</sub> resistor is connected between ISET and V<sub>REFIN</sub>, the PWRGOOD output pin is an active-low signal.

For systems using an active-low-enabled DC/DC converter module, the MCP18480 should be programmed for a high-active PWRGOOD output. Tying the R<sub>ISET</sub> resistor to the V<sub>NEG</sub> pin configures the PWRGOOD to be an active-high signal. The active-high PWRGOOD switches on the external NPN and the collector of the external NPN (labeled as GOODPWR) is pulled to V<sub>NEG</sub>, enabling a low-active GOODPWR and resulting in enabling the DC/DC module.

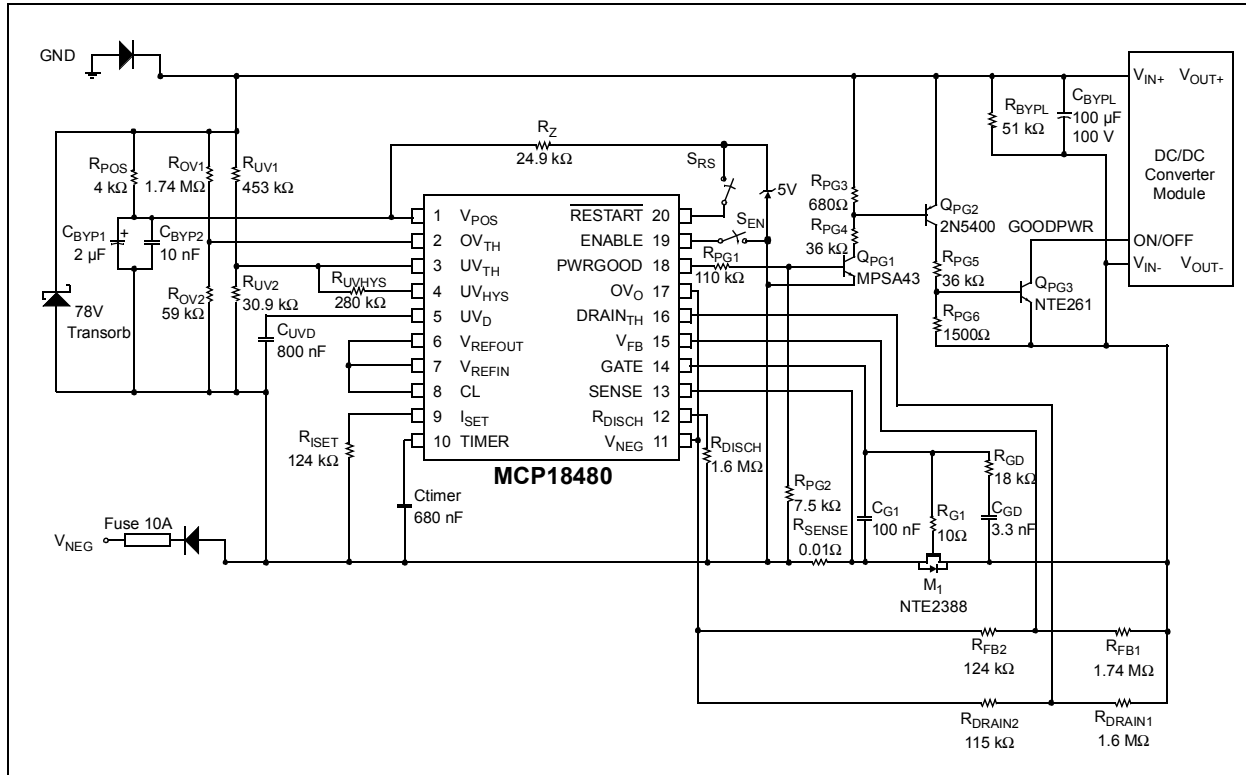
For active-high DC/DC converter modules, the MCP18480 should be programmed for a low active PWRGOOD output. Connecting R<sub>ISET</sub> to the V<sub>REFIN</sub> pin will enable an active-low PWRGOOD output. Refer to Figure 4-1 and Figure 4-2 for schematics.

Figure 4-1 shows a typical telecom application circuit where the DC/DC module is active-high. Figure 4-2 shows a typical telecom application circuit where the DC/DC module is active-low. The polarity of the MCP18480's PWRGOOD pin (active-high or active-low) is dependant on the state of the ISET pin.



**FIGURE 4-1:** Typical Operating Circuit for Telecom Applications with Active-High power Module - foldback current limit enabled.

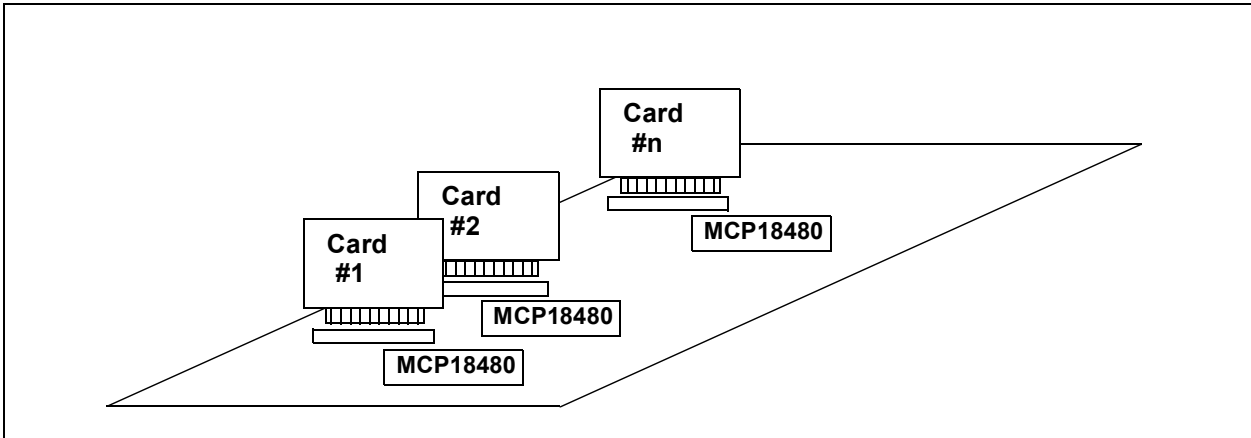
# MCP18480



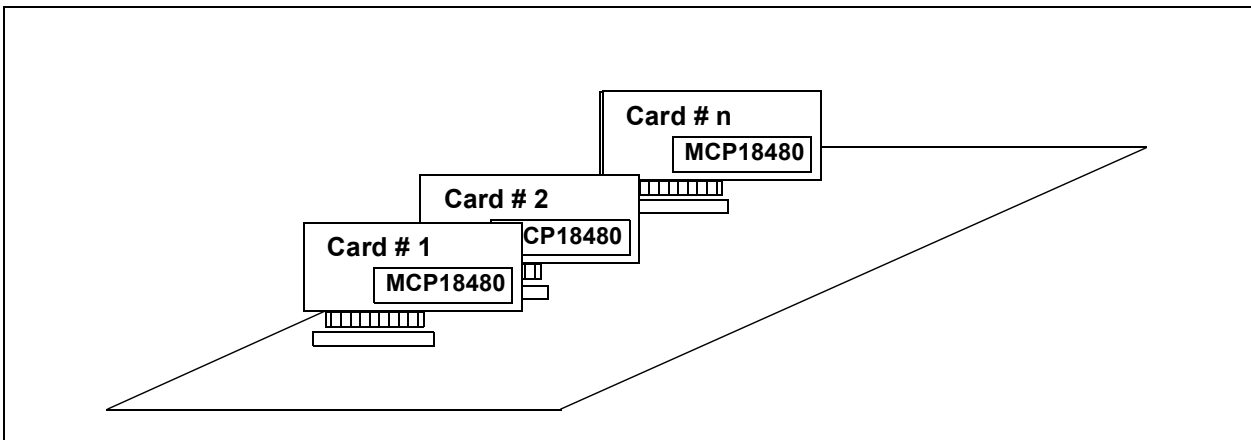
**FIGURE 4-2:** Typical operating circuit for telecom applications with Active-Low power Module - foldback current limit enabled.



The MCP18480 can typically be implemented in a backplane system in one of two methods. Figure 4-3 shows a system where the backplane integrates the MCP18480 for every slot. Figure 4-4 shows a system where the backplane does not integrate the MCP18480s and each card that will be inserted into any slot is required to integrate the MCP18480.



**FIGURE 4-3:** Backplane System Block Diagram #1.



**FIGURE 4-4:** Backplane System Block Diagram #2.

# MCP18480

---

---

NOTES:

## 5.0 POWER-UP

### 5.1 $V_{POS}$ and $V_{NEG}$ Connection

For proper system operation, it is required that the system ground and the  $V_{NEG}$  pin have a solid connection before voltages are applied to any logic on the board.

### 5.2 The Board Circuitry

After the MCP18480 has “good” voltages on the  $V_{POS}$  and  $V_{NEG}$  pins, the board may have voltages applied to any of the other signals (a “good” voltage on  $V_{POS}$  indicates a “good” voltage on the system ground). The MCP18480 will start to source a small current to the external MOSFET to begin powering the board. This will turn on the MOSFET starting to power the external circuitry (load) of the board. The current from the GATE pin (into the external MOSFET) increases as the  $V_{DS}$  of the MOSFET decreases. When the  $V_{DS}$  of the MOSFET is below the voltage determined by the two resistors on the  $DRAIN_{TH}$  pin ( $R_{DRAIN1}$  and  $R_{DRAIN2}$ ), and the voltage on the GATE pin is greater than 8V, the PWRGOOD pin is active.

## 6.0 INTERNAL SIGNAL DESCRIPTIONS

The figure on page 2 illustrates a block diagram of the MCP18480. Between the functional blocks, there are some signals that have been named. These signals are briefly explained in Section 6.1 thru Section 6.7.

### 6.1 Undervoltage Active

A signal that indicates (when low) that System Ground -  $V_{NEG}$  is less than the minimum voltage.

### 6.2 Overvoltage Active

A signal that indicates (when low) that System Ground -  $V_{NEG}$  is greater than the maximum voltage.

### 6.3 LATCHOFF

A signal that controls the GATE pin due to a timeout of the current-limiting timer.

### 6.4 Current Limit TIMER

A signal that controls the reduction of source current on the GATE pin and starts the voltage ramp of the current limit timer.

### 6.5 Current Limit Feedback

A voltage that is proportional to the  $V_{DS}$  of the external MOSFET to set a trip point for current-limiting.

### 6.6 TIMEOUT

A signal that indicates the completion of the foldback time and is used to start the latching time.

### 6.7 Circuit Breaker

A signal that immediately causes the GATE pin output to be driven to  $V_{NEG}$  upon the detection of excessive current in the external FET.

# MCP18480

## 6.8 DESCRIPTION OF INTERNAL BLOCKS

The internal blocks shown in the [MCP18480 Block Diagram on page 2](#) are discussed in Section 6.8.1 through Section 6.8.8.

**Note:** Voltage levels discussed are with respect to external component values selected in Figure 4-1.

### 6.8.1 UV (UNDERVOLTAGE) BLOCK

The Undervoltage lockout circuit monitors the input voltage by comparing a centertap voltage on an external resistor divider to a 2.5V reference. The centertap voltage is fed into the UV<sub>TH</sub> input pin.

If the voltage on the UV<sub>TH</sub> pin is below the internal 2.5V reference, the absolute magnitude of the supply voltage is too low for proper system operation, resulting in the external MOSFET being turned off. If the voltage on the UV<sub>TH</sub> pin is greater than V<sub>NEG</sub> + 2.5V, the supply voltage is above the minimal operating voltage as set by the external resistor divider network.

In telecom network applications, it is common to shut down the DC/DC converter supply when the input voltage falls below -38.5V (tolerance of ±1.0V) for greater than 100 ms. The system will not restart until the voltage exceeds -43.0V (tolerance of ±0.5V). This voltage difference is produced by an open-drain NMOS output (the UV<sub>HYS</sub> pin) that connects an external resistor in parallel with the lower of the two resistors in the external UV divider network until the supply ramps down to -43V. When the UV<sub>TH</sub> pin exceeds V<sub>NEG</sub> + 2.5V, the internal NMOS transistor is turned off, disconnecting the external resistor connected to the UV<sub>HYS</sub> pin. The voltage at the UV<sub>TH</sub> pin increases to 2.79V. The supply voltage would have to decrease to -38.5V in order to assert the internal “Undervoltage Active” signal.

An internal 10 μA current source and an external capacitor connected to the UV<sub>D</sub> pin adjusts the delay between the input fault and the notification of this fault to the system. This is usually 100 ms for -48V telecom-type equipment. For customized adjustments, the time delay can be expressed as Equation 6-1.

#### EQUATION 6-1: INPUT FAULT DELAY

$$T_{DELAY} = \frac{\left(\frac{V_{REFIN}}{2}\right) \cdot C_{UVD}}{10\mu A}$$

C<sub>UV</sub> is the capacitor connected between the UV<sub>D</sub> pin and the V<sub>NEG</sub> pin. A value of 1 μF would provide a delay of about 100 ms.

If the supply voltage dips below the programmed threshold, the input comparator trips the other way. The timing capacitor is released to ramp-up at the previously described rate and the Undervoltage block switches when the capacitor voltage reaches 1.25V. When the input comparator goes to a low level, the hysteresis FET is turned on and the trip point for reassertion of good V<sub>NEG</sub> reverts to -43V.

While the Undervoltage Active signal is low (includes Undervoltage input filter), the GATE pin driver for the external MOSFET is disabled, the GATE pin is pulled to the voltage of the V<sub>NEG</sub> pin with a 60 mA current sink and the PWRGOOD output pin is deasserted to indicate that the input voltage is out of range.

#### EQUATION 6-2: UNDERVOLTAGE HYSTERESIS

$$R_{UVHYS} = \frac{R_{UV1}}{\left(\frac{V_{UVD}}{V_{REFIN}}\right) - \frac{R_{UV1}}{R_{UV2}} - 1}$$

#### EQUATION 6-3: UNDERVOLTAGE CONDITION

$$V_{REFIN} > \frac{|V_{NEG}| \cdot R_{UV2}}{(R_{UV1} + R_{UV2})}$$

## 6.8.2 OV (OVERVOLTAGE) BLOCK

The overvoltage block behaves similarly to the undervoltage block in that it monitors an input voltage by comparing a centertap voltage on an external voltage divider (on the  $OV_{TH}$  pin) to the  $V_{REFIN}$  pin voltage.

If the centertap voltage is below the reference, the input voltage is not excessive. If the centertap voltage is greater than the  $V_{NEG} + V_{REFIN}$  pin voltages, the supply voltage is higher than the programmed acceptable maximum voltage limit. An internal flag is then activated to inform the MCP18480 that the input voltage has exceeded the preset limit.

The “Overvoltage Active” signal deasserts when the input voltage drops back below the threshold determined by the external resistors ( $R_{OV1}$  and  $R_{OV2}$ ).

### EQUATION 6-4: OVERVOLTAGE VOLTAGE CONDITION

$$V_{REFIN} < \frac{|V_{NEG}| \cdot R_{OV2}}{(R_{OV1} + R_{OV2})}$$

## 6.8.3 FET-GOOD BLOCK

The FET-good block monitors the voltage between the drain of the external MOSFET and on the  $V_{NEG}$  pin at power-up. It delays assertion of PWRGOOD until the drain-to-source voltage of the external FET is acceptably low and the voltage at the GATE pin is about 8V. The comparator operation is similar to Undervoltage and Overvoltage blocks.

To prevent applying excessive voltages to the gates of the FETs in the Undervoltage circuit, a resistive voltage divider is employed between ground and the  $V_{NEG}$  pin. Similarly, the drain of the external MOSFET can be exposed to voltages at around  $V_{NEG}$  during normal operation and as high as ground (typically 48V above  $V_{NEG}$ ).

The FET good block also monitors the GATE pin. When the GATE pin becomes  $>V_{NEG} + 8V$  and the  $DRAIN_{TH}$  pin is within its programmed range, the output of the FET good block is active.

The internal FET good signal goes high and remains active until a fault condition (Undervoltage, Overvoltage or Current Limit) is detected. Any of these conditions hold the PWRGOOD signal deasserted until the fault condition is removed and the external FET gate and drain voltages are acceptable.

# MCP18480

## 6.8.4 CURRENT LIMIT BLOCK

An excessive current flowing through the external FET is sensed as a voltage across an external resistor connected between the FET's source and  $V_{NEG}$ .

The drain voltage is sensed with a resistor divider network, as shown in Figure 4-1 and Figure 4-2. The voltage tap is applied to a circuit whose output is 50 mV above  $V_{NEG}$  when the drain of the external FET is at  $V_{NEG}$ . The output is 12 mV when the  $V_{FB}$  pin is  $\geq V_{NEG} + 0.5V$ . This output voltage is the Current Limit Feedback (CLFB) signal to the gate driver block for use in the fold-back current-limiting.

The CLFB voltage serves as the reference for a comparator whose other input monitors the voltage across the current limit sense resistor in series with the source of the external FET. When the SENSE pin exceeds the voltage on CLFB, a comparator output goes high to start the timer (see Section 6.8.5). The  $V_{DS}$  dependent threshold for the current limit helps keep the FET within its safe operating area.

Another comparator in the current-limiting block watches the SENSE pin for potentially catastrophic over-current conditions, which require immediate termination of conduction in the pass MOSFET. The output of this comparator trips a comparator used in the TIMER block to skip the first part of the timeout cycle and go straight to the "off" period. In some cases, the user may want to program the system to shut off immediately if there is a short-circuit condition that exceeds a desired level. To use this feature, connect a divider between the  $V_{REFIN}$  pin and the  $V_{NEG}$  pin, with its center tap at the CL input pin. The circuit breaker current that would trigger this mode is given by Equation 6-5.

### EQUATION 6-5: CIRCUIT BREAKER THRESHOLD

$$I_{CAT} = \frac{\left(\frac{V_{REFIN}}{R_{CL1} + R_{CL2}}\right) \cdot R_{CL2}}{R_{SENSE}}$$

If this function is not needed in a particular application, it can be disabled by connecting the CL pin to the  $V_{REFIN}$  pin. Equation 6-6 shows the current of the CL pin during current-limiting.

### EQUATION 6-6: CL PIN CURRENT

$$I_{CL} = \frac{V_{SENSE}}{R_{SENSE}}$$

$$V_{SENSE} = 0.76 \times \left( 0.05V - \frac{V_{DS} \times R_{FB2}}{R_{FB1} + R_{FB2}} \right) + 0.012V$$

for  $V_{FB} > 0.5V$ ,  $V_{SENSE} = 0.012V$

## 6.8.5 TIMER BLOCK

Since the external FET can survive brief over-current episodes, it is unnecessary to turn off the FET instantly when the current rises too high (see external FET data sheet). The timer circuit uses the output of the comparator in the current-limiting block to begin charging an external capacitor with  $16 \cdot I_{RISET}$  (typically 160  $\mu A$ ) when an over-current condition is detected. When the voltage on the capacitor ramps up to 1.25V, a comparator output goes high. This output goes to another block that tells the gate driver to turn the external FET off and deassert the PWRGOOD pin. The complementary output of the timer changes the state of a hysteresis circuit that drops the reference input of the comparator to  $V_{NEG} + 100$  mV ( $\pm 10$  mV).

When the FET is off, the current through it drops to zero, so that the voltage across the current sense resistor also goes to zero and the current limit signal to the timer block goes away. The timer capacitor starts to discharge at a rate set by the external resistor,  $R_{DISCH}$ .

Equation 6-7 shows the equations used to calculate the current at the TIMER pin. This current is used for other calculations.

### EQUATION 6-7: TIMER PIN CURRENT CALCULATIONS

$$I_{TIMER} = 16 \cdot I_{RISET} \quad \text{Typical}$$

$$I_{TIMER} = 10 \cdot I_{RISET} \quad \text{Minimum}$$

$$I_{TIMER} = 20 \cdot I_{RISET} \quad \text{Maximum}$$

**Legend:**  $I_{RISET}$  is the current through the external  $R_{RISET}$  resistor

The delay between the inception of the over-current condition and the deactivation of the FET is given by Equation 6-8.

### EQUATION 6-8: OVER-CURRENT FAULT DELAY

$$T_{CLD1} = \frac{C_{TIMER}}{I_{TIMER}} \cdot 1.25$$

The time required to reset the timer and reactivate the gate driver is given by Equation 6-9.

### EQUATION 6-9: OVER-CURRENT REACTIVATION DELAY

$$T_{CLD2} = 9.2 \cdot C_{TIMER} \cdot R_{DISCH}$$

As described above, the timer circuit operates as a free-running, multi-vibrator, if  $\overline{RESTART}$  is low.

## 6.8.6 LATCH BLOCK

A current limit latch circuit determines whether, following the timeout period resulting from an over-current condition, the external FET should be latched-off until reactivated by an external signal, or be allowed to restart automatically following the timer cycle.

If the  $\overline{\text{RESTART}}$  input is low, the part will restart and the gate drive to the external MOSFET will be restored automatically. If the  $\overline{\text{RESTART}}$  pin is high, a current limit event will turn the FET off after the programmed delay and maintain an off condition until the ENABLE pin or RESTART pin is pulled low momentarily.

## 6.8.7 GATE DRIVE BLOCK

The GATE drive block sources a current equal to the voltage at CLFB divided by 1 k $\Omega$  to the gate of the external MOSFET. So the current sourced from the GATE pin is determined by the  $V_{\text{DS}}$  of the external FET. This current, and the external capacitors around the FET, control the slew rate of the drain of the external FET, limiting the current that would otherwise have to be diverted from other boards on the backplane. In the event of a problem (Overvoltage, Undervoltage or current limit), the gate of the external FET is pulled down with 60 mA. During normal operation, the GATE pin ramps up to about 12V, sending the external FET deeply into the triode region. If the drain current becomes excessive while the drain-to-source voltage is high, the inverting input of the op amp is driven to the CLFB voltage by the current-limiting block, causing a reduction in the drive to the external FET to reduce the current through it. This foldback current-limit remains active until the voltage on  $C_{\text{TIMER}}$  reaches  $V_{\text{REFIN}}/2$ , after which the GATE output pin is pulled to  $V_{\text{NEG}}$  for the duration of the timeout period, or until ENABLE is cycled low momentarily.

For applications in which it is undesirable to have the drain current track the  $V_{\text{DS}}$  of the external pass FET in current limit, the user can tie the  $V_{\text{FB}}$  pin to the  $V_{\text{REF}}$  or  $V_{\text{NEG}}$  pin. This will make the MCP18480 try to force the drain current to 12 mV/ $R_{\text{SENSE}}$  or 50 mV/ $R_{\text{SENSE}}$ , respectively, until the TIMER block times out. If fold-back current-limiting is not desired at all, set the divider associated with the CL pin to detect the desired current in order to shut off the GATE immediately.

A voltage on the GATE pin higher than about 8V is one condition for the PWRGOOD pin to be asserted. Any fault condition that causes the GATE pin voltage to be pulled to  $V_{\text{NEG}}$  deasserts the PWRGOOD pin. On startup, a NMOS transistor with a resistor pulling its gate up holds the GATE pin down until the MCP18480 is properly biased.

## 6.8.8 BIAS BLOCK

The internal voltage generation or bias block generates the biasing currents for all internal blocks. It also provides a 2.5V reference voltage that is brought out to the  $V_{\text{REFOUT}}$  pin. This output pin is usually fed back into the  $V_{\text{REFIN}}$  pin. However, an externally-generated 2.5V reference voltage may be directly connected to the  $V_{\text{REFIN}}$  pin, while leaving the  $V_{\text{REFOUT}}$  pin unconnected. A  $V_{\text{REFIN}}/2$  voltage is generated within the bias block, which is used as reference in the other blocks.

A internal shunt regulator limits the internal circuitry to 12V. An external current-limiting resistor in series with  $V_{\text{POS}}$  absorbs the excess voltage. The resulting regulated 12V source is used in the gate drive block and PWRGOOD output circuit.

The 12V source is also stepped-down to generate a 5V regulated source. Most of the other circuitry and blocks operate with the internally-generated 5V.

### EQUATION 6-10: EXTERNAL $R_{\text{ISET}}$ CURRENT

$$I_{\text{RISET}} = \pm \frac{\left(\frac{V_{\text{REFIN}}}{2}\right)}{R_{\text{ISET}}}$$

**Note:** The direction of the current is dependant on where the external  $R_{\text{ISET}}$  resistor is connected (the  $I_{\text{SET}}$  pin to either the  $V_{\text{NEG}}$  pin or the  $V_{\text{REFIN}}$  pin).

## 6.8.9 POWER GOOD BLOCK

The "power good" block monitors the state of the OV active, the UV active, the current limit circuitry, and output of the FET good block to generate the PWRGOOD output signal.

# MCP18480

---

---

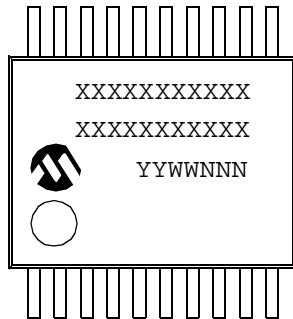
NOTES:



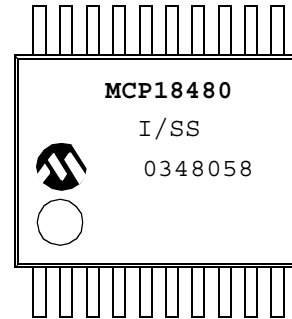
## 7.0 PACKAGING INFORMATION

### 7.1 Package Marking Information

20-Lead SSOP



Example:

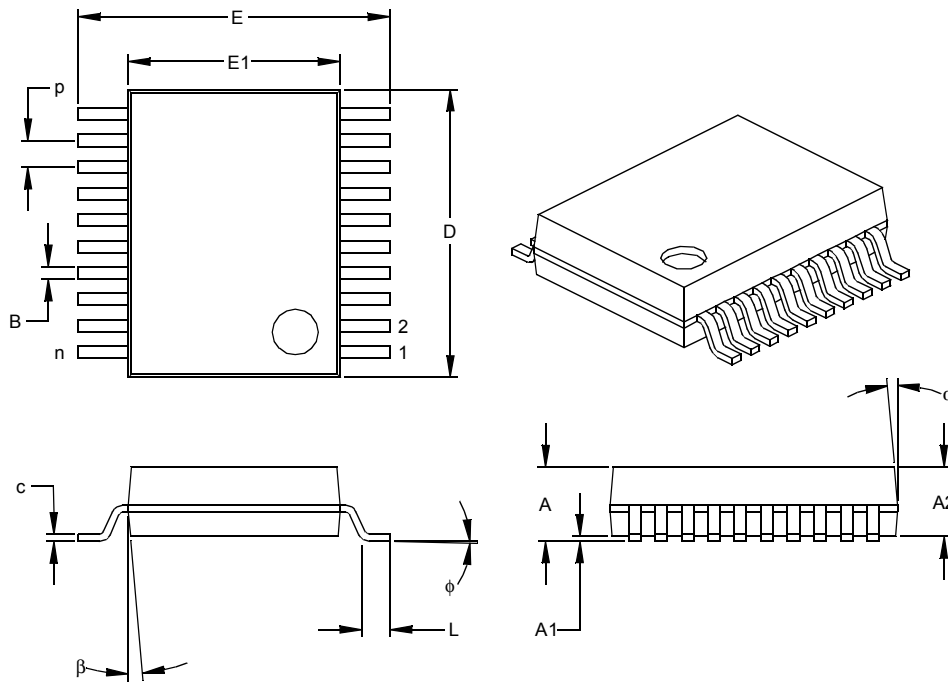


<b>Legend:</b>	XX...X	Customer specific information*
	YY	Year code (last 2 digits of calendar year)
	WW	Week code (week of January 1 is week '01')
	NNN	Alphanumeric traceability code
<b>Note:</b>	In the event the full Microchip part number cannot be marked on one line, it will be carried over to the next line thus limiting the number of available characters for customer specific information.	

\* Standard marking consists of Microchip part number, year code, week code, and traceability code.

# MCP18480

## 20-Lead Plastic Shrink Small Outline (SS) – 209 mil, 5.30 mm (SSOP)



Units		INCHES*			MILLIMETERS		
Dimension	Limits	MIN	NOM	MAX	MIN	NOM	MAX
Number of Pins	n		20			20	
Pitch	p		.026			0.65	
Overall Height	A	.068	.073	.078	1.73	1.85	1.98
Molded Package Thickness	A2	.064	.068	.072	1.63	1.73	1.83
Standoff §	A1	.002	.006	.010	0.05	0.15	0.25
Overall Width	E	.299	.309	.322	7.59	7.85	8.18
Molded Package Width	E1	.201	.207	.212	5.11	5.25	5.38
Overall Length	D	.278	.284	.289	7.06	7.20	7.34
Foot Length	L	.022	.030	.037	0.56	0.75	0.94
Lead Thickness	c	.004	.007	.010	0.10	0.18	0.25
Foot Angle	φ	0	4	8	0.00	101.60	203.20
Lead Width	B	.010	.013	.015	0.25	0.32	0.38
Mold Draft Angle Top	α	0	5	10	0	5	10
Mold Draft Angle Bottom	β	0	5	10	0	5	10

\* Controlling Parameter

§ Significant Characteristic

### Notes:

Dimensions D and E1 do not include mold flash or protrusions. Mold flash or protrusions shall not exceed .010" (0.254mm) per side.

JEDEC Equivalent: MO-150

Drawing No. C04-072

## APPENDIX A: REVISION HISTORY

### Revision A

This is a new data sheet

### Revision B

- Add device characterization information
- Enhanced functional description

# MCP18480

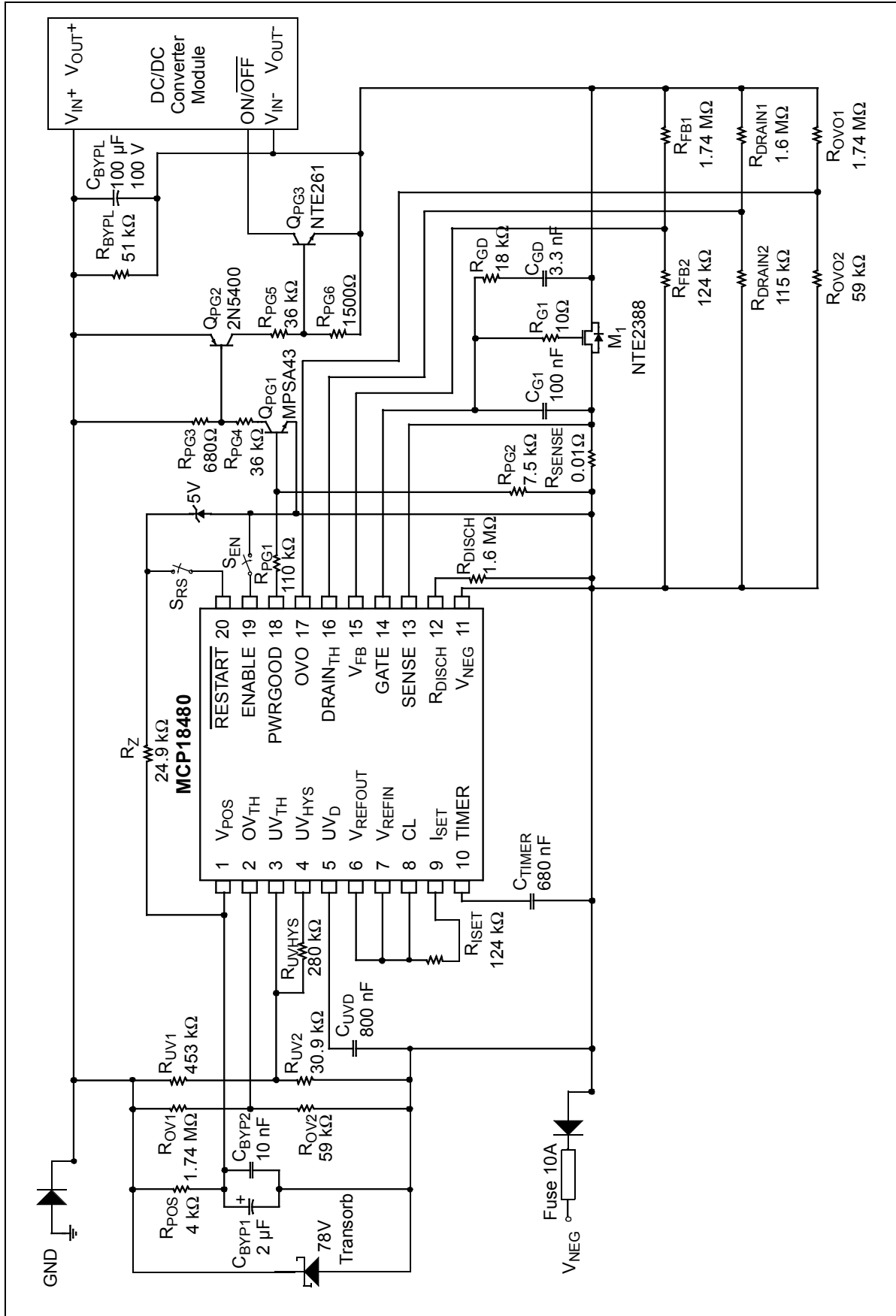
---

NOTES:

## APPENDIX B: MCP18480 SCHEMATICS

This appendix contains the schematics for the MCP18480 Evaluation Board.

# MCP18480



**FIGURE B-1:** Typical Operating Circuit for Telcom Applications with Active-High Power Module - Foldback Current Limit Enabled.



# MCP18480

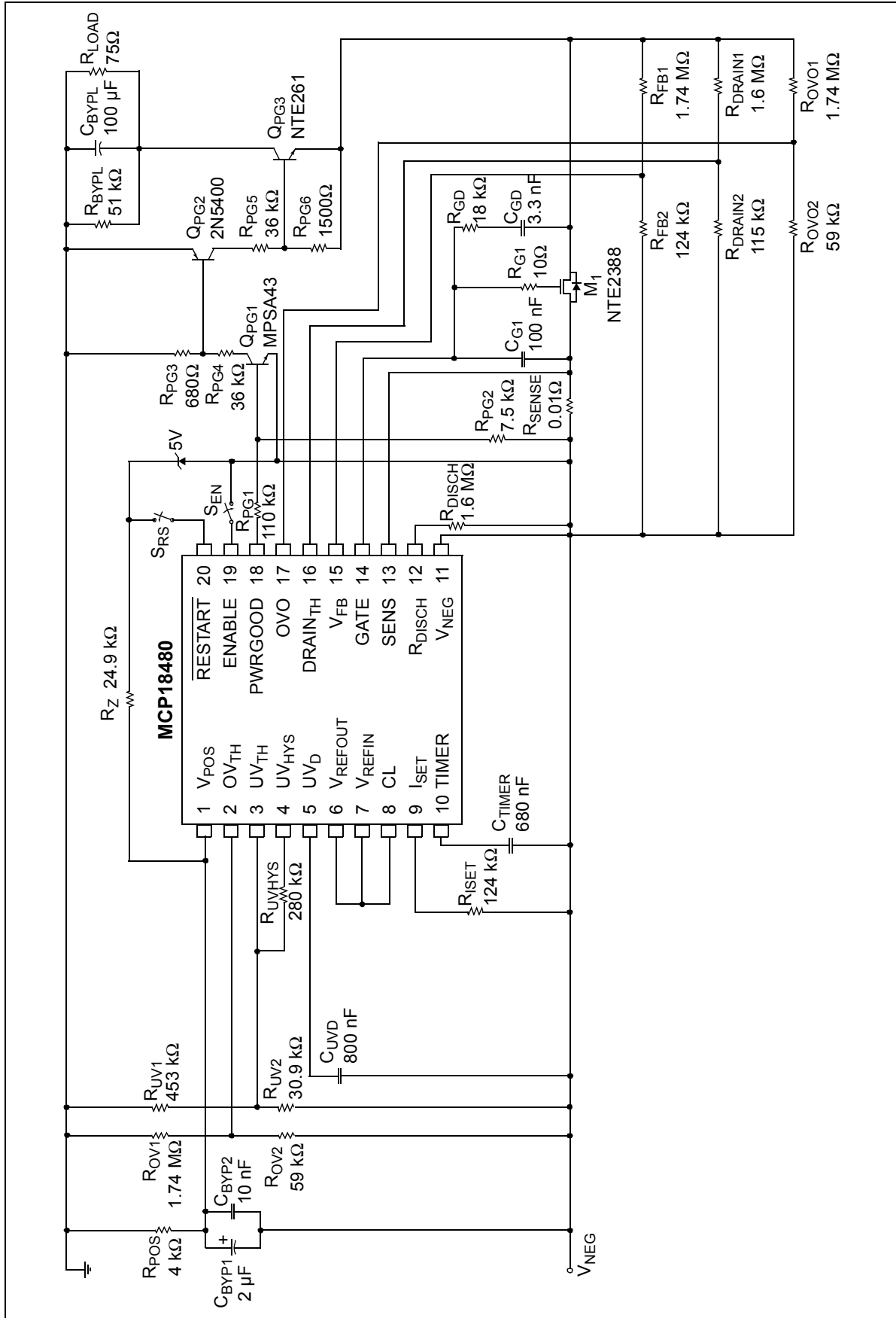
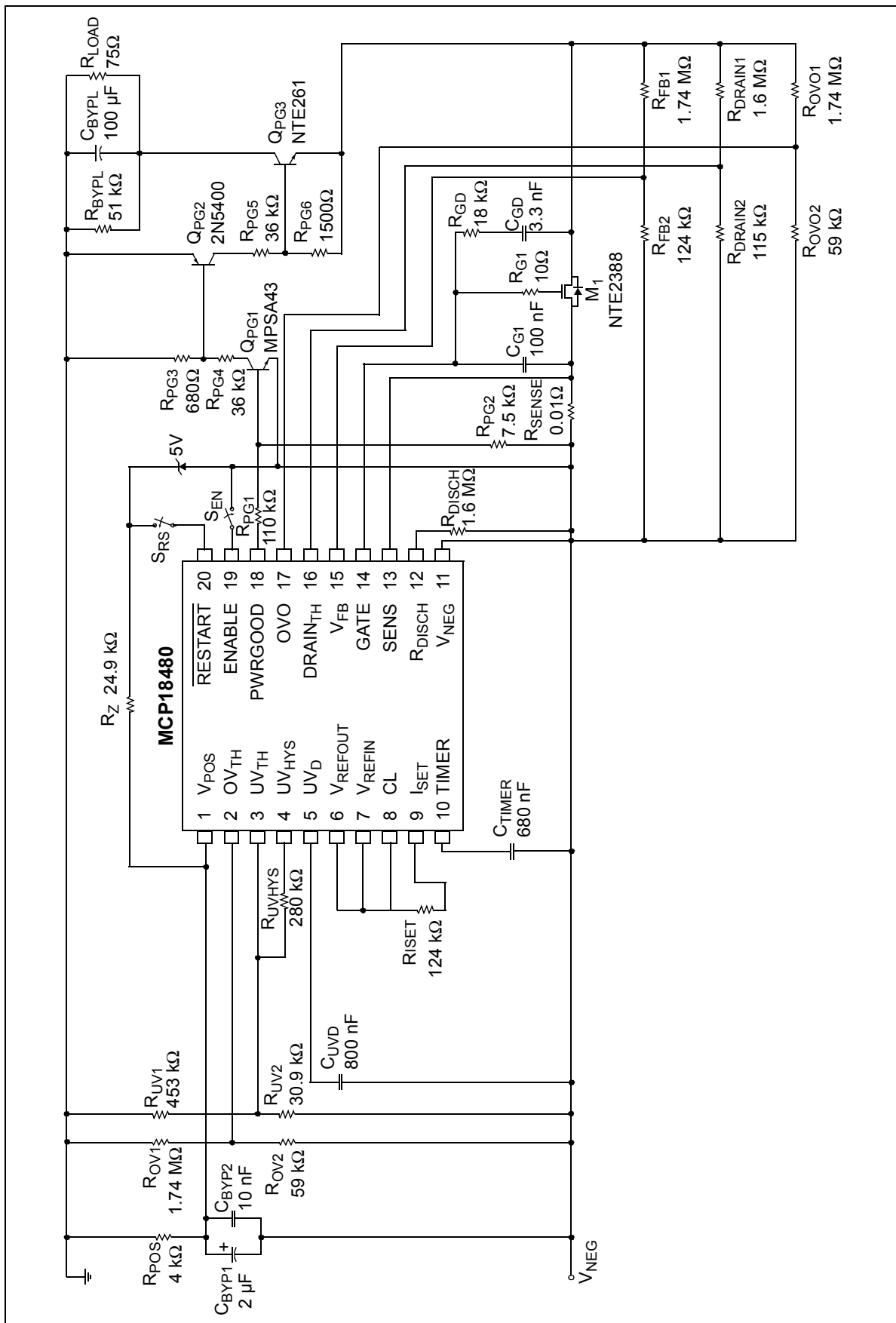


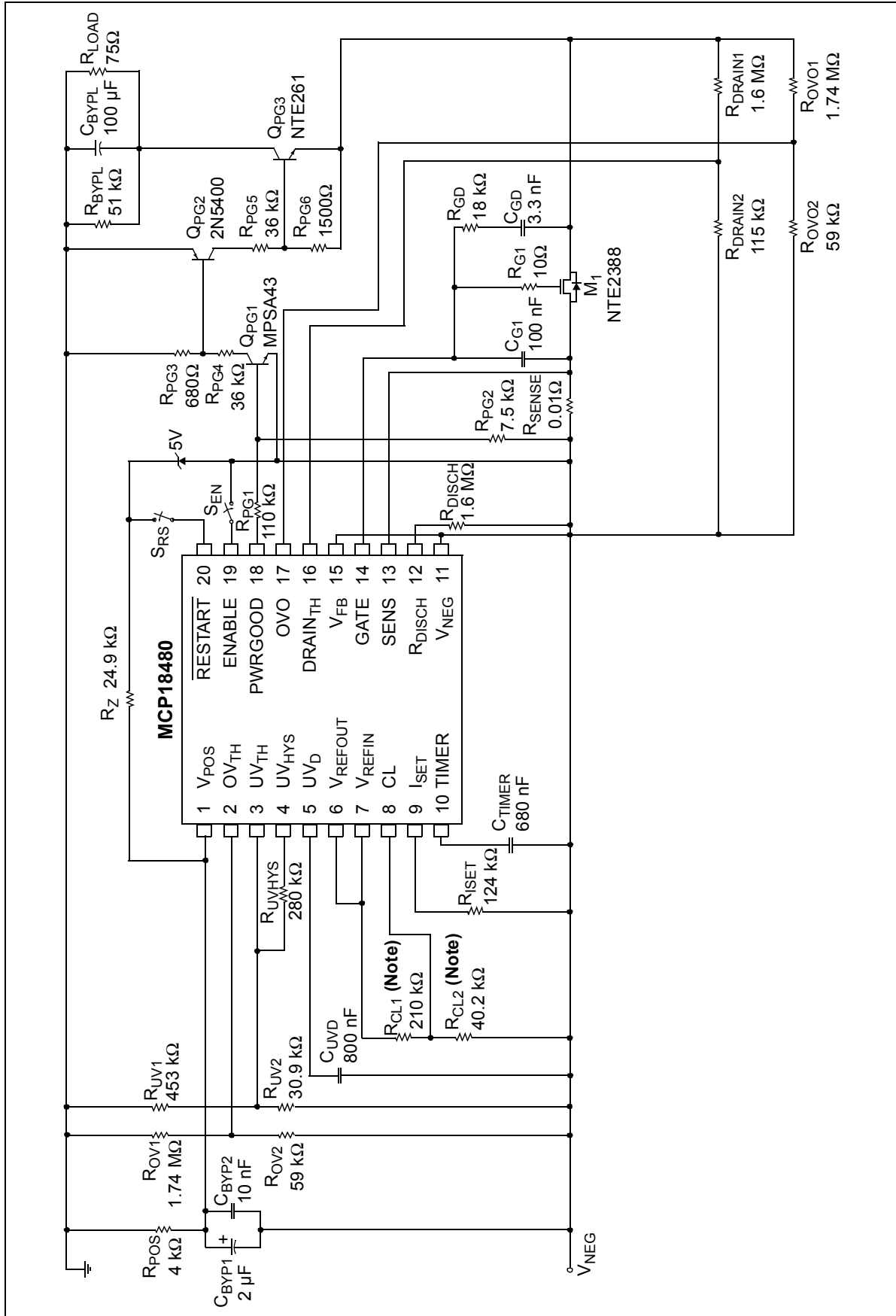
FIGURE B-3: Evaluation Board Schematic (Active-Low Power Module - Foldback Current Limit Enabled).



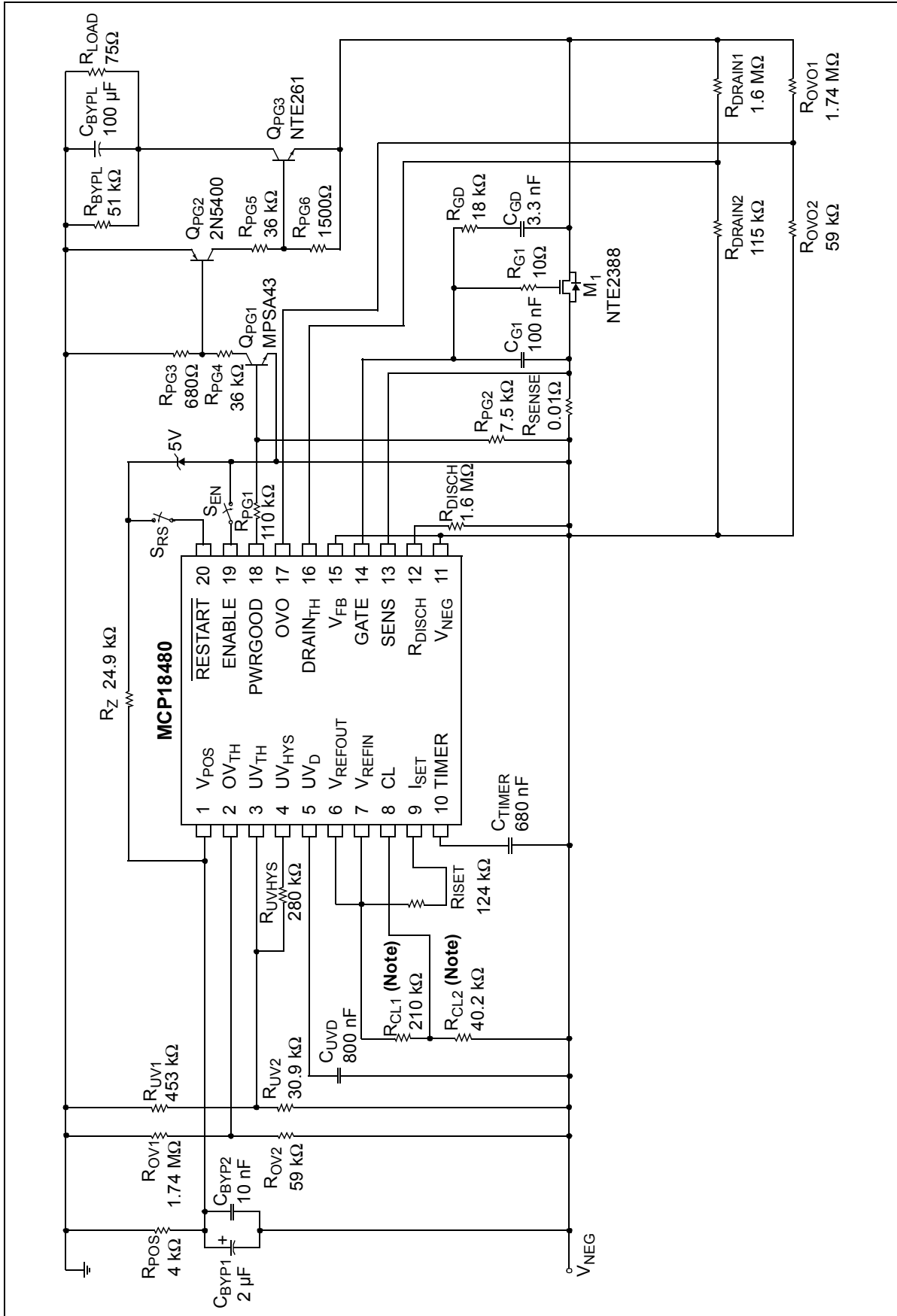


**FIGURE B-4:** Evaluation Board Schematic (Active-High Power Module - Foldback Current Limit Enabled).

# MCP18480



**FIGURE B-5:** Evaluation Board Schematic (Active-Low Power Module - Circuit Breaker Current Limit Enabled).



**FIGURE B-6:** Evaluation Board Schematic (Active-High Power Module - Circuit Breaker Current Limit Enabled).

# MCP18480

---

---

NOTES:

## PRODUCT IDENTIFICATION SYSTEM

To order or obtain information, e.g., on pricing or delivery, refer to the factory or the listed sales office.

<u>PART NO.</u>	<u>X</u>	<u>/XX</u>
Device	Temperature Range	Package
Device	MCP18480: -48V Hot Swap Controller MCP18480T: -48V Hot Swap Controller (Tape and Reel)	
Temperature Range	I = -40°C to +85°C	
Package	SS = Plastic SSOP (209 mil, Body), 20-lead	

**Examples:**

- a) MCP18480-I/SS = Industrial Temp., SSOP package
- b) MCP18480T-I/SS = Tape and Reel, Industrial Temp., SSOP package

## Sales and Support

### Data Sheets

Products supported by a preliminary Data Sheet may have an errata sheet describing minor operational differences and recommended workarounds. To determine if an errata sheet exists for a particular device, please contact one of the following:

1. Your local Microchip sales office
2. The Microchip Corporate Literature Center U.S. FAX: (480) 792-7277
3. The Microchip Worldwide Site ([www.microchip.com](http://www.microchip.com))

Please specify which device, revision of silicon and Data Sheet (include Literature #) you are using.

### Customer Notification System

Register on our web site ([www.microchip.com/cn](http://www.microchip.com/cn)) to receive the most current information on our products.

# MCP18480

---

---

NOTES:

---

**Note the following details of the code protection feature on Microchip devices:**

- Microchip products meet the specification contained in their particular Microchip Data Sheet.
- Microchip believes that its family of products is one of the most secure families of its kind on the market today, when used in the intended manner and under normal conditions.
- There are dishonest and possibly illegal methods used to breach the code protection feature. All of these methods, to our knowledge, require using the Microchip products in a manner outside the operating specifications contained in Microchip's Data Sheets. Most likely, the person doing so is engaged in theft of intellectual property.
- Microchip is willing to work with the customer who is concerned about the integrity of their code.
- Neither Microchip nor any other semiconductor manufacturer can guarantee the security of their code. Code protection does not mean that we are guaranteeing the product as "unbreakable."

Code protection is constantly evolving. We at Microchip are committed to continuously improving the code protection features of our products. Attempts to break microchip's code protection feature may be a violation of the Digital Millennium Copyright Act. If such acts allow unauthorized access to your software or other copyrighted work, you may have a right to sue for relief under that Act.

---

Information contained in this publication regarding device applications and the like is intended through suggestion only and may be superseded by updates. It is your responsibility to ensure that your application meets with your specifications. No representation or warranty is given and no liability is assumed by Microchip Technology Incorporated with respect to the accuracy or use of such information, or infringement of patents or other intellectual property rights arising from such use or otherwise. Use of Microchip's products as critical components in life support systems is not authorized except with express written approval by Microchip. No licenses are conveyed, implicitly or otherwise, under any intellectual property rights.

**Trademarks**

The Microchip name and logo, the Microchip logo, KEELOQ, MPLAB, PIC, PICmicro, PICSTART, PRO MATE and PowerSmart are registered trademarks of Microchip Technology Incorporated in the U.S.A. and other countries.


FilterLab, microID, MXDEV, MXLAB, PICMASTER, SEEVAL and The Embedded Control Solutions Company are registered trademarks of Microchip Technology Incorporated in the U.S.A.

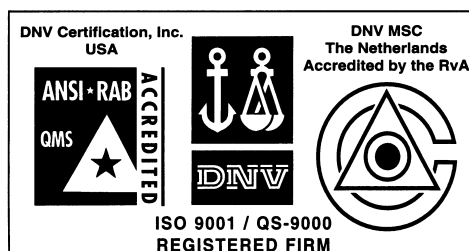
Accuron, Application Maestro, dsPIC, dsPICDEM, dsPICDEM.net, ECONOMONITOR, FanSense, FlexROM, fuzzyLAB, In-Circuit Serial Programming, ICSP, ICEPIC, microPort, Migratable Memory, MPASM, MPLIB, MPLINK, MPSIM, PICC, PICkit, PICDEM, PICDEM.net, PowerCal, PowerInfo, PowerMate, PowerTool, rLAB, rPIC, Select Mode, SmartSensor, SmartShunt, SmartTel and Total Endurance are trademarks of Microchip Technology Incorporated in the U.S.A. and other countries.

Serialized Quick Turn Programming (SQTP) is a service mark of Microchip Technology Incorporated in the U.S.A.

All other trademarks mentioned herein are property of their respective companies.

© 2003, Microchip Technology Incorporated, Printed in the U.S.A., All Rights Reserved.

 Printed on recycled paper.



*Microchip received QS-9000 quality system certification for its worldwide headquarters, design and wafer fabrication facilities in Chandler and Tempe, Arizona in July 1999 and Mountain View, California in March 2002. The Company's quality system processes and procedures are QS-9000 compliant for its PICmicro® 8-bit MCUs, KEELOQ® code hopping devices, Serial EEPROMs, microperipherals, non-volatile memory and analog products. In addition, Microchip's quality system for the design and manufacture of development systems is ISO 9001 certified.*



## WORLDWIDE SALES AND SERVICE

### AMERICAS

#### Corporate Office

2355 West Chandler Blvd.  
Chandler, AZ 85224-6199  
Tel: 480-792-7200 Fax: 480-792-7277  
Technical Support: 480-792-7627  
Web Address: <http://www.microchip.com>

#### Atlanta

3780 Mansell Road, Suite 130  
Alpharetta, GA 30022  
Tel: 770-640-0034 Fax: 770-640-0307

#### Boston

2 Lan Drive, Suite 120  
Westford, MA 01886  
Tel: 978-692-3848 Fax: 978-692-3821

#### Chicago

333 Pierce Road, Suite 180  
Itasca, IL 60143  
Tel: 630-285-0071 Fax: 630-285-0075

#### Dallas

4570 Westgrove Drive, Suite 160  
Addison, TX 75001  
Tel: 972-818-7423 Fax: 972-818-2924

#### Detroit

Tri-Atria Office Building  
32255 Northwestern Highway, Suite 190  
Farmington Hills, MI 48334  
Tel: 248-538-2250 Fax: 248-538-2260

#### Kokomo

2767 S. Albright Road  
Kokomo, Indiana 46902  
Tel: 765-864-8360 Fax: 765-864-8387

#### Los Angeles

18201 Von Karman, Suite 1090  
Irvine, CA 92612  
Tel: 949-263-1888 Fax: 949-263-1338

#### Phoenix

2355 West Chandler Blvd.  
Chandler, AZ 85224-6199  
Tel: 480-792-7966 Fax: 480-792-4338

#### San Jose

Microchip Technology Inc.  
2107 North First Street, Suite 590  
San Jose, CA 95131  
Tel: 408-436-7950 Fax: 408-436-7955

#### Toronto

6285 Northam Drive, Suite 108  
Mississauga, Ontario L4V 1X5, Canada  
Tel: 905-673-0699 Fax: 905-673-6509

### ASIA/PACIFIC

#### Australia

Microchip Technology Australia Pty Ltd  
Marketing Support Division  
Suite 22, 41 Rawson Street  
Epping 2121, NSW  
Australia  
Tel: 61-2-9868-6733 Fax: 61-2-9868-6755

#### China - Beijing

Microchip Technology Consulting (Shanghai)  
Co., Ltd., Beijing Liaison Office  
Unit 915  
Bei Hai Wan Tai Bldg.  
No. 6 Chaoyangmen Beidajie  
Beijing, 100027, No. China  
Tel: 86-10-85282100 Fax: 86-10-85282104

#### China - Chengdu

Microchip Technology Consulting (Shanghai)  
Co., Ltd., Chengdu Liaison Office  
Rm. 2401-2402, 24th Floor,  
Ming Xing Financial Tower  
No. 88 TIDU Street  
Chengdu 610016, China  
Tel: 86-28-86766200 Fax: 86-28-86766599

#### China - Fuzhou

Microchip Technology Consulting (Shanghai)  
Co., Ltd., Fuzhou Liaison Office  
Unit 28F, World Trade Plaza  
No. 71 Wusi Road  
Fuzhou 350001, China  
Tel: 86-591-7503506 Fax: 86-591-7503521

#### China - Hong Kong SAR

Microchip Technology Hongkong Ltd.  
Unit 901-6, Tower 2, Metroplaza  
223 Hing Fong Road  
Kwai Fong, N.T., Hong Kong  
Tel: 852-2401-1200 Fax: 852-2401-3431

#### China - Shanghai

Microchip Technology Consulting (Shanghai)  
Co., Ltd.  
Room 701, Bldg. B  
Far East International Plaza  
No. 317 Xian Xia Road  
Shanghai, 200051  
Tel: 86-21-6275-5700 Fax: 86-21-6275-5060

#### China - Shenzhen

Microchip Technology Consulting (Shanghai)  
Co., Ltd., Shenzhen Liaison Office  
Rm. 1812, 18/F, Building A, United Plaza  
No. 5022 Binhe Road, Futian District  
Shenzhen 518033, China  
Tel: 86-755-82901380 Fax: 86-755-82966626

#### China - Qingdao

Rm. B505A, Fullhope Plaza,  
No. 12 Hong Kong Central Rd.  
Qingdao 266071, China  
Tel: 86-532-5027355 Fax: 86-532-5027205

#### India

Microchip Technology Inc.  
India Liaison Office  
Marketing Support Division  
Divyasree Chambers  
1 Floor, Wing A (A3/A4)  
No. 11, O'Shaughnessy Road  
Bangalore, 560 025, India  
Tel: 91-80-2290061 Fax: 91-80-2290062

### Japan

Microchip Technology Japan K.K.  
Benex S-1 6F  
3-18-20, Shinyokohama  
Kohoku-Ku, Yokohama-shi  
Kanagawa, 222-0033, Japan  
Tel: 81-45-471-6166 Fax: 81-45-471-6122

### Korea

Microchip Technology Korea  
168-1, Youngbo Bldg. 3 Floor  
Samsung-Dong, Kangnam-Ku  
Seoul, Korea 135-882  
Tel: 82-2-554-7200 Fax: 82-2-558-5934

### Singapore

Microchip Technology Singapore Pte Ltd.  
200 Middle Road  
#07-02 Prime Centre  
Singapore, 188980  
Tel: 65-6334-8870 Fax: 65-6334-8850

### Taiwan

Microchip Technology (Barbados) Inc.,  
Taiwan Branch  
11F-3, No. 207  
Tung Hua North Road  
Taipei, 105, Taiwan  
Tel: 886-2-2717-7175 Fax: 886-2-2545-0139

### EUROPE

#### Austria

Microchip Technology Austria GmbH  
Durisolstrasse 2  
A-4600 Wels  
Austria  
Tel: 43-7242-2244-399  
Fax: 43-7242-2244-393

#### Denmark

Microchip Technology Nordic ApS  
Regus Business Centre  
Lautrup høj 1-3  
Ballerup DK-2750 Denmark  
Tel: 45 4420 9895 Fax: 45 4420 9910

#### France

Microchip Technology SARL  
Parc d'Activite du Moulin de Massy  
43 Rue du Saule Trapu  
Batiment A - 1er Etage  
91300 Massy, France  
Tel: 33-1-69-53-63-20 Fax: 33-1-69-30-90-79

#### Germany

Microchip Technology GmbH  
Steinheilstrasse 10  
D-85737 Ismaning, Germany  
Tel: 49-89-627-144-0  
Fax: 49-89-627-144-44

#### Italy

Microchip Technology SRL  
Via Quasimodo, 12  
20025 Legnano (MI)  
Milan, Italy  
Tel: 39-0331-742611 Fax: 39-0331-466781

#### United Kingdom

Microchip Ltd.  
505 Eskdale Road  
Winnersh Triangle  
Wokingham  
Berkshire, England RG41 5TU  
Tel: 44 118 921 5869 Fax: 44-118 921-5820

03/25/03